



Carton Linear Baffle

BY AKUSTUS DESIGNS

AKUSTUS

®

[AKUSTUS.COM](https://www.akustus.com)

[INFO@AKUSTUS.COM](mailto:info@akustus.com)



Whatever their orientation or arrangement, **Carton Linear Baffle**'s lines lead to more peaceful soundscapes and more stunning environments. The system's aluminum frame comes equipped with baffle hooks so that installing the baffles is as easy as just pushing them onto the frame. With Carton Linear Baffles covering the ceiling, you can elevate the atmosphere of any room.

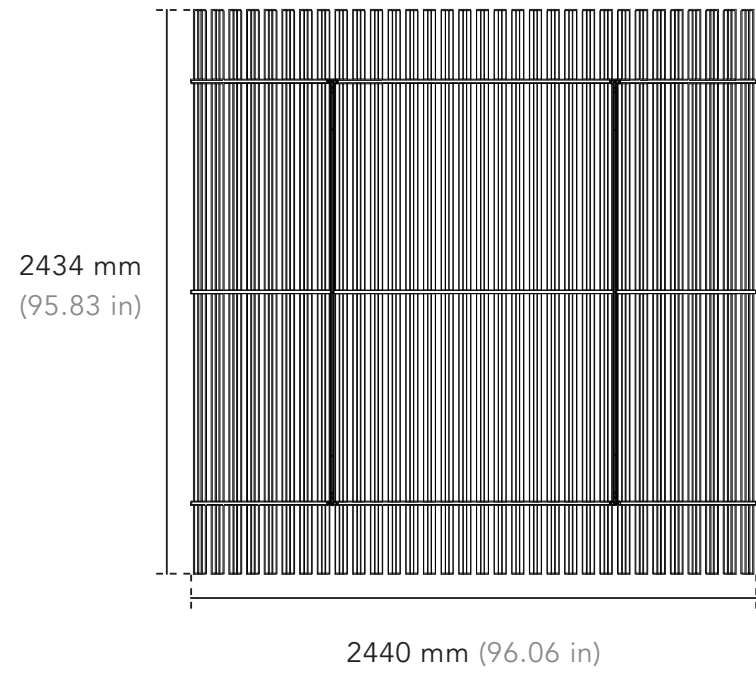


CARTON LINEAR BAFFLE

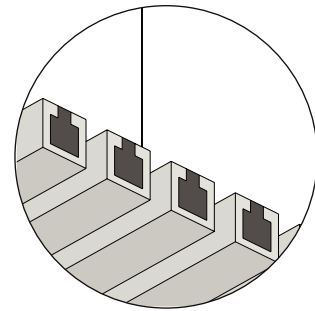
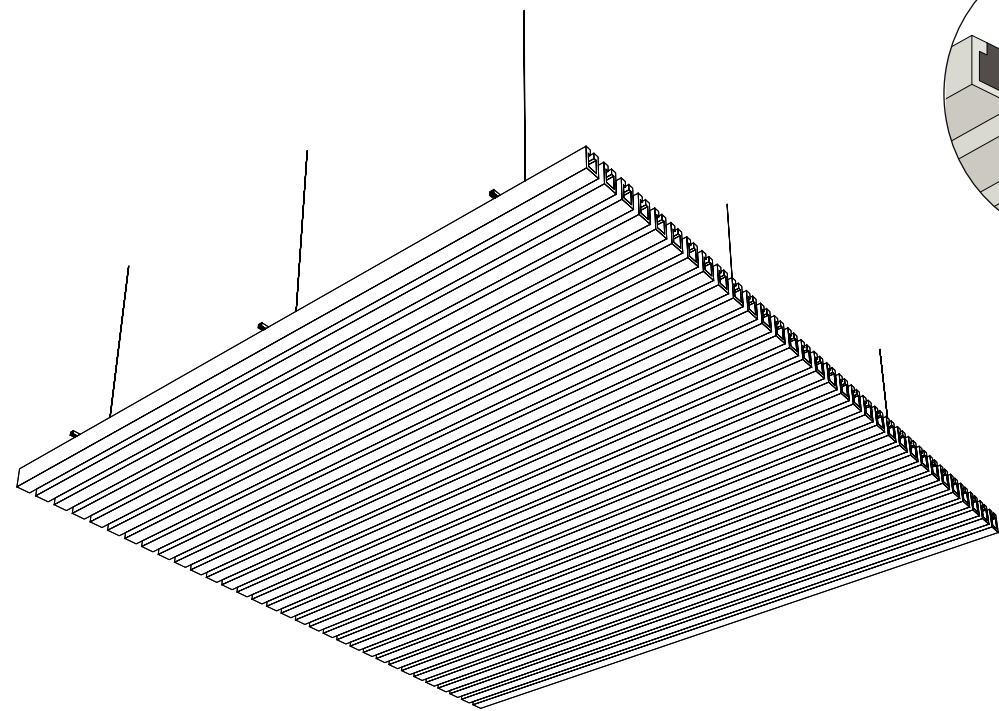
CARTON LINEAR BAFFLE

Dimensions

Single Module - Top View



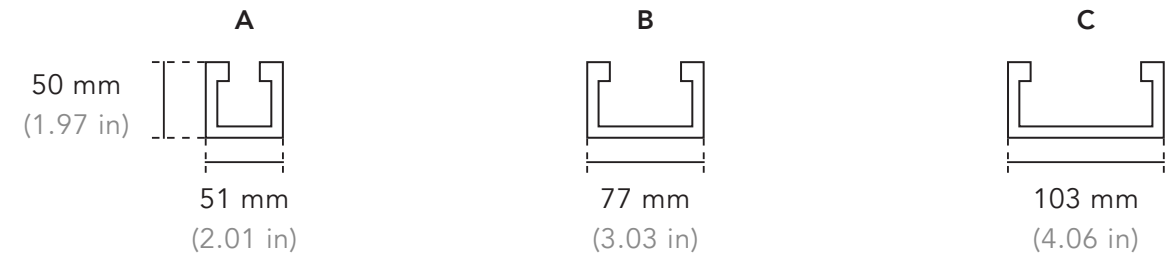
Single Module - Perspective View



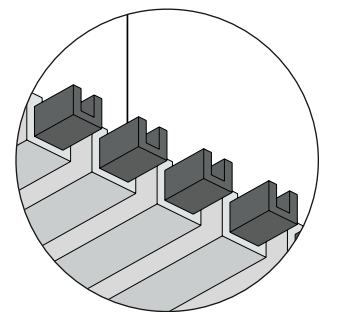
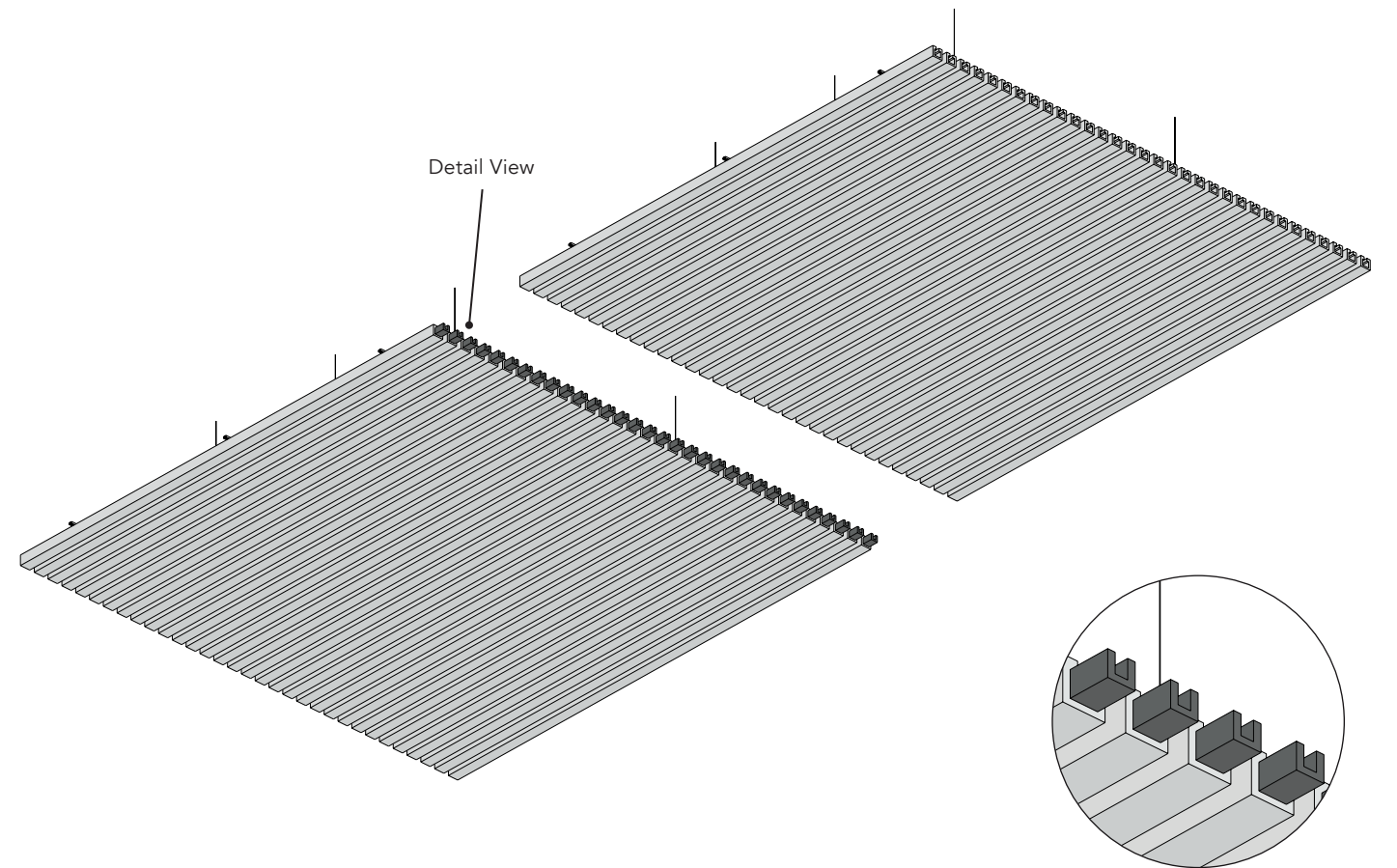
End caps
(optional)

Baffle Sizes

Custom heights available.



Multiple Modules - Perspective View

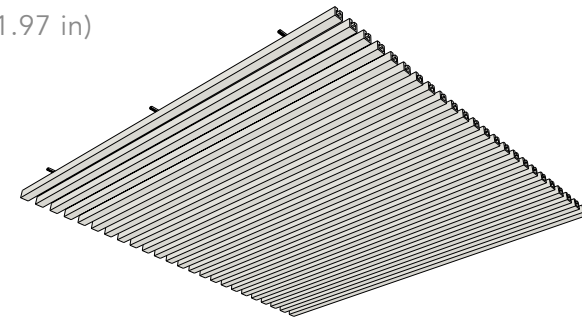
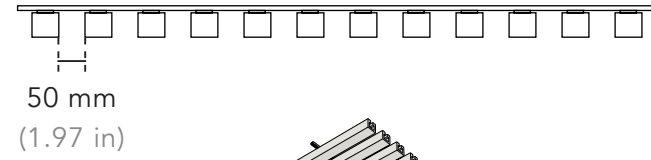
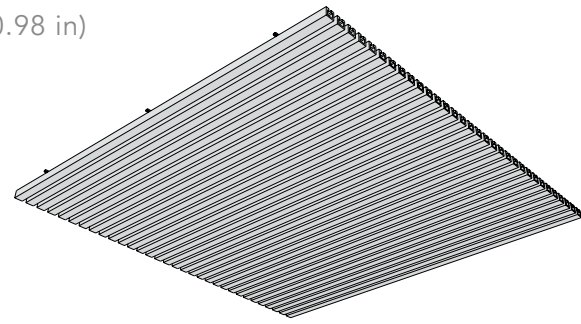
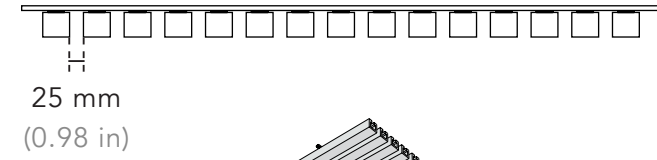


Baffle splices

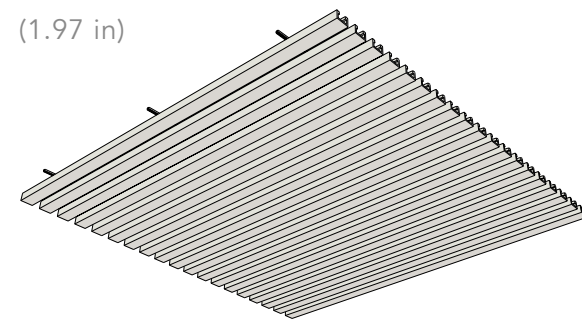
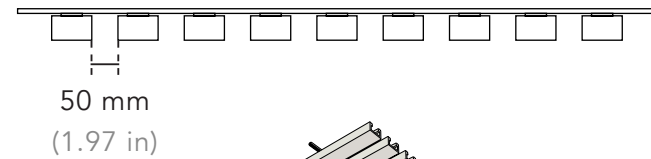
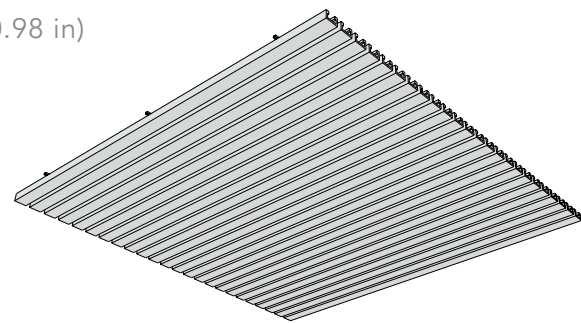
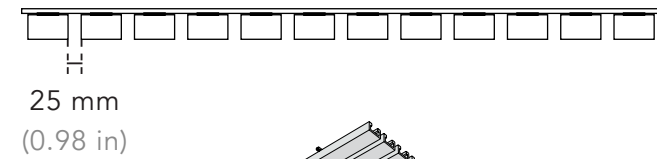
System Variations - Standard Systems

Standard systems feature one size variation and are available with 25 and 50 mm spacing. Custom spacing available.

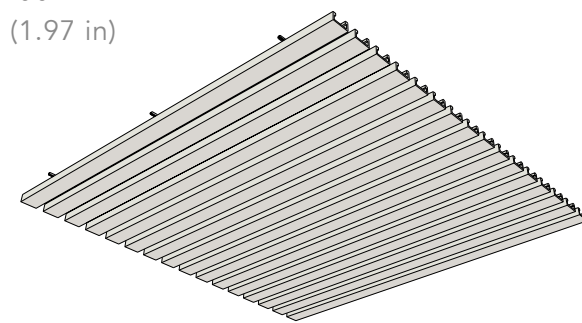
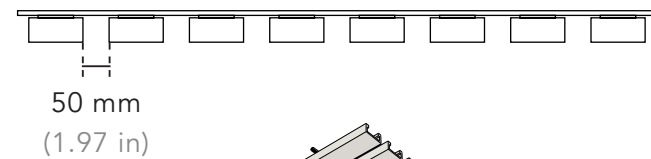
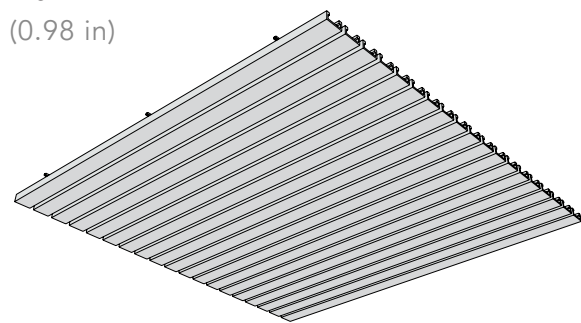
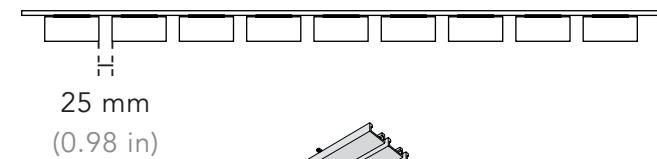
Size A Systems



Size B Systems



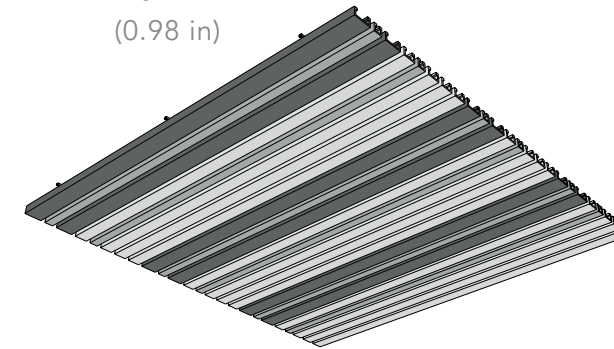
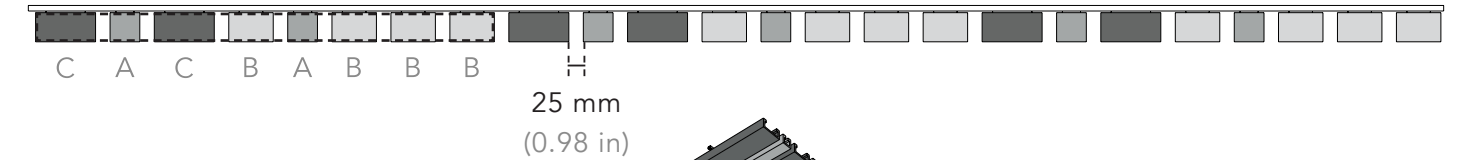
Size C Systems



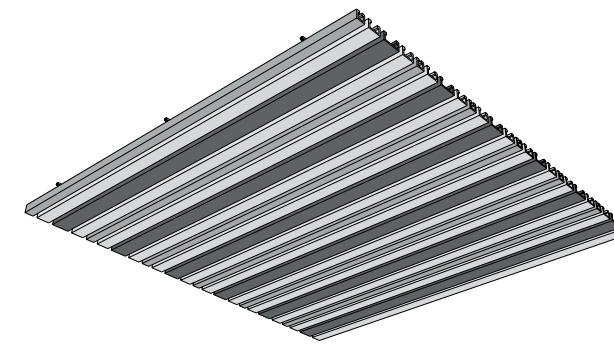
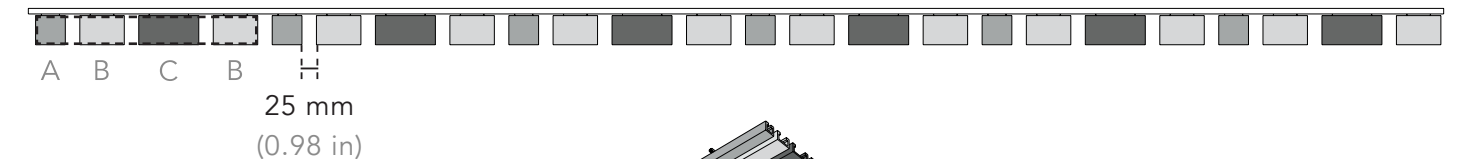
System Variations - Configurations

Configurations are manufacturer-designed, feature an assortment of baffle sizes and are only available with 25 mm spacing. Custom arrangements available.

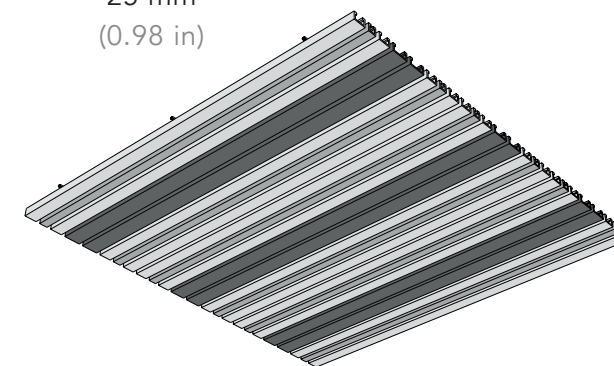
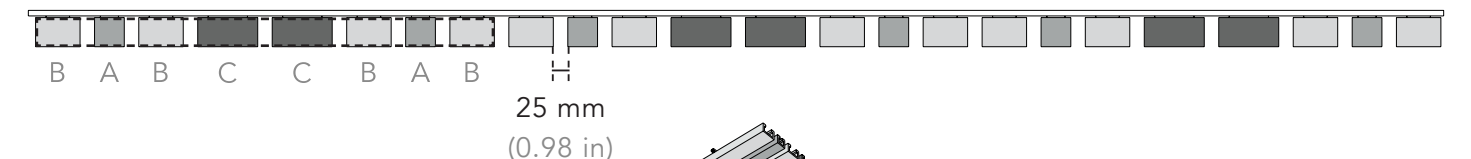
Configuration 1



Configuration 2

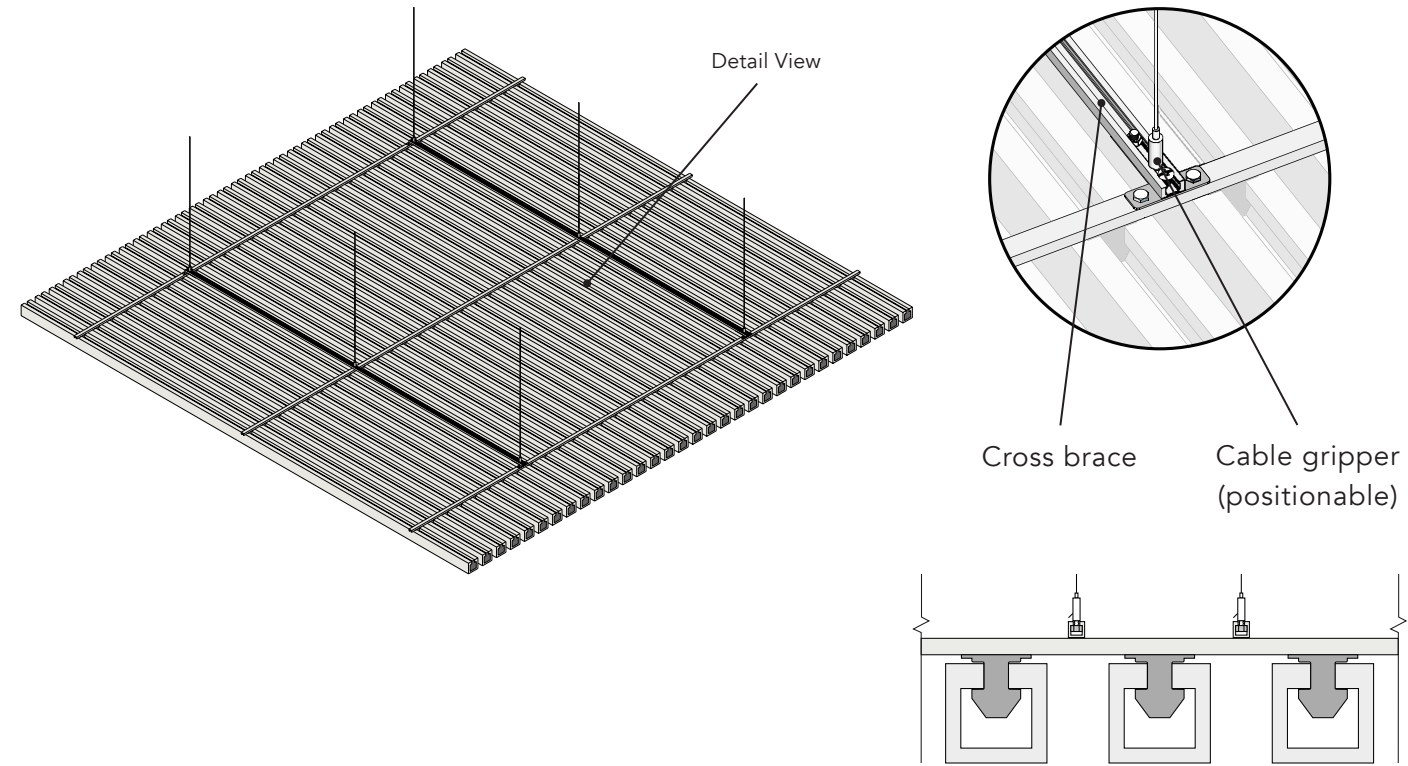


Configuration 3

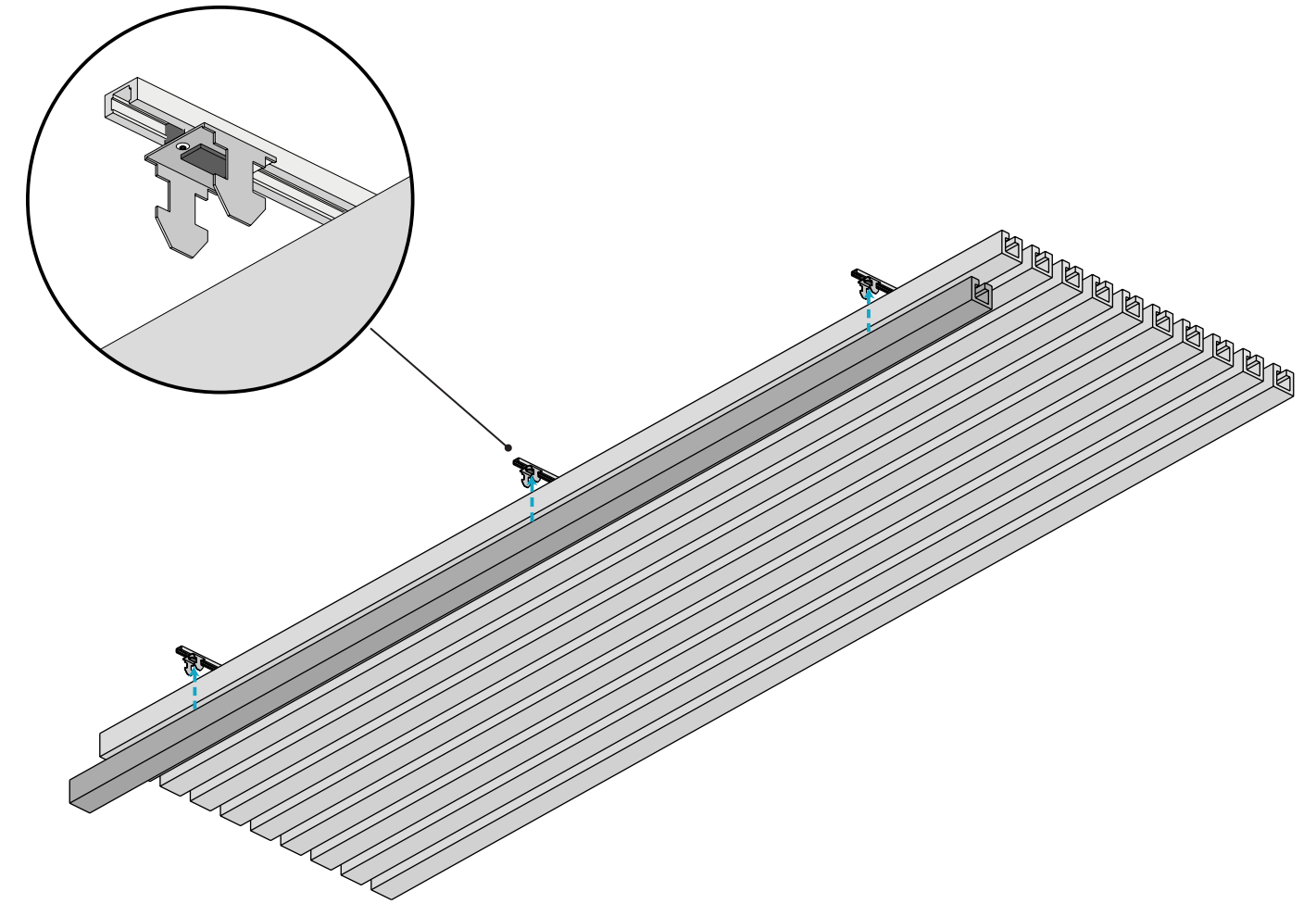


Installation Details

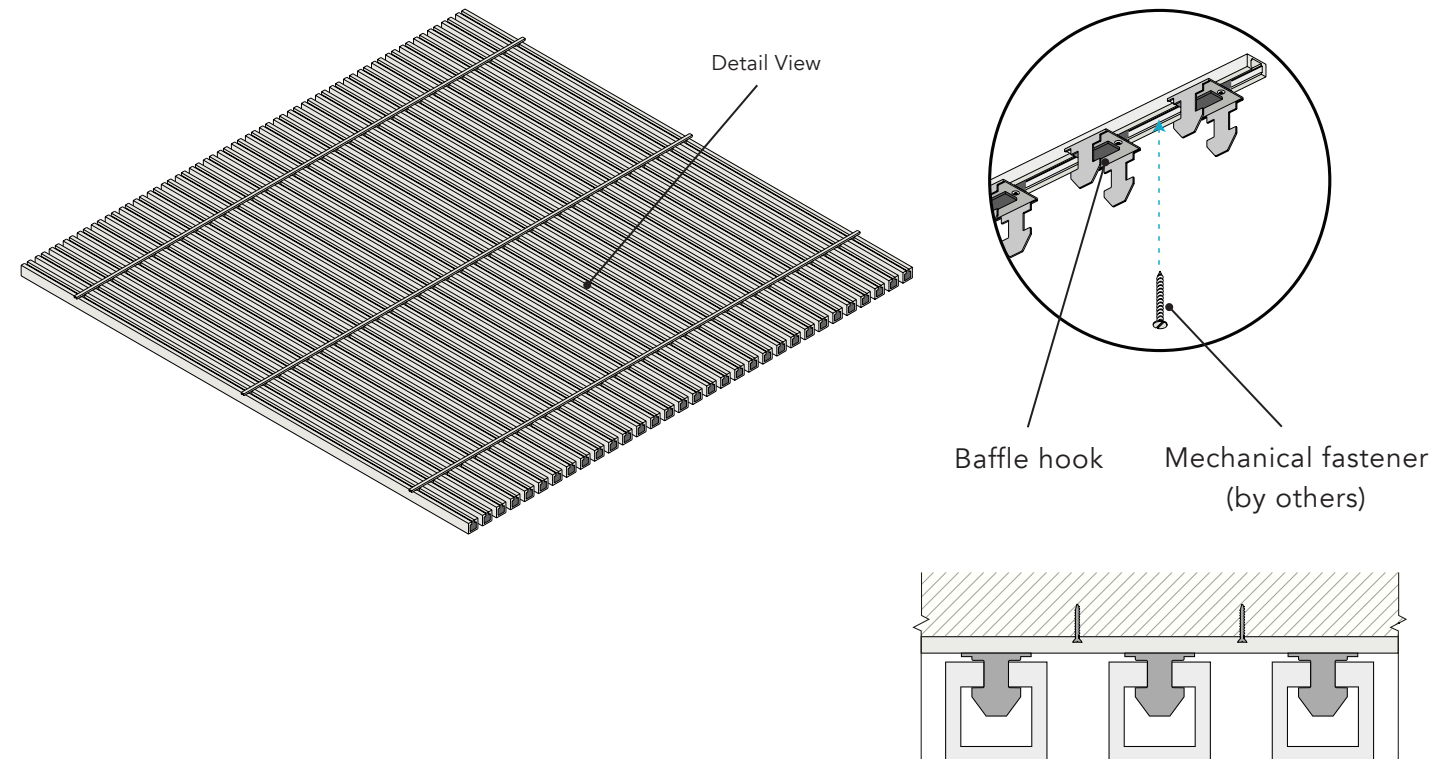
Suspended Installation



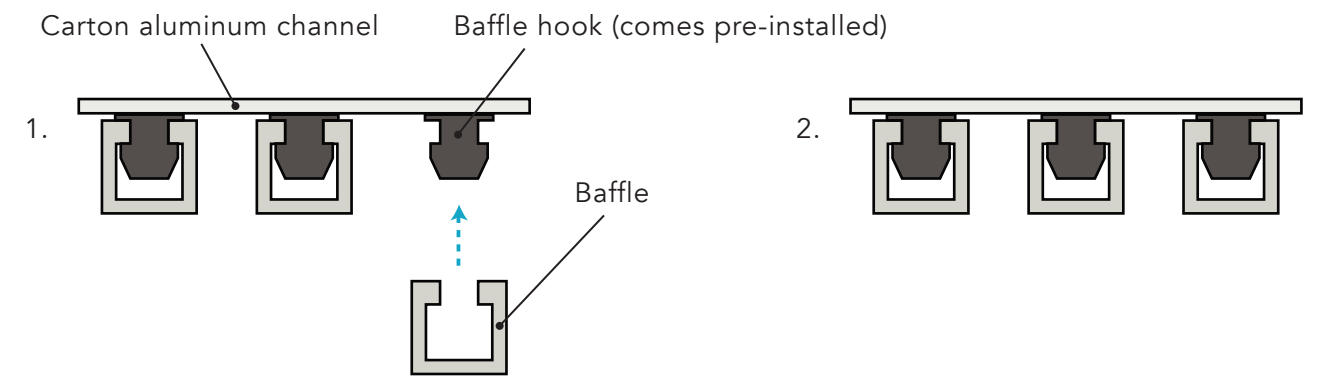
Hardware Detail



Direct-to-Ceiling Installation



Installation Steps



Product Data

Product Code	Width x Length x Height	Baffle Width	Spacing	Weight
CTN-LB-A25-243-244 Size A	2434 x 2440 x 50 mm 95.83 x 96.06 x 1.97 in	51 mm 2.01 in	25 mm 0.98 in	27.53 kg 60.69 lb
CTN-LB-A50-243-244 Size A	2434 x 2440 x 50 mm 95.83 x 96.06 x 1.97 in	51 mm 2.01 in	50.5 mm 1.99 in	21.21 kg 46.76 lb
CTN-LB-B25-243-244 Size B	2434 x 2440 x 50 mm 95.83 x 96.06 x 1.97 in	77 mm 3.03 in	25 mm 0.98 in	24.33 kg 53.64 lb
CTN-LB-B50-243-244 Size B	2434 x 2440 x 50 mm 95.83 x 96.06 x 1.97 in	77 mm 3.03 in	51.8 mm 2.04 in	19.73 kg 43.5 lb
CTN-LB-C25-243-244 Size C	2434 x 2440 x 50 mm 95.83 x 96.06 x 1.97 in	103 mm 4.06 in	25 mm 0.98 in	22.2 kg 48.94 lb
CTN-LB-C50-243-244 Size C	2434 x 2440 x 50 mm 95.83 x 96.06 x 1.97 in	103 mm 4.06 in	49.5 mm 1.95 in	19.05 kg 42 lb
CTN-LB-CF1-243-244 Configuration 1	2434 x 2440 x 50 mm 95.83 x 96.06 x 1.97 in	(mixed)	25 mm 0.98 in	24.33 kg 53.64 lb
CTN-LB-CF2-243-244 Configuration 2	2434 x 2440 x 50 mm 95.83 x 96.06 x 1.97 in	(mixed)	25 mm 0.98 in	24.33 kg 53.64 lb
CTN-LB-CF3-243-244 Configuration 3	2434 x 2440 x 50 mm 95.83 x 96.06 x 1.97 in	(mixed)	25 mm 0.98 in	24.33 kg 53.64 lb



Specifications

Product Name	Carton Linear Baffle
Composition	100% polyester fibre
Edge Detail	Box edge
Fire Rating	<ul style="list-style-type: none"> • ASTM E84 Class A • CAN/ULC-S102.2-10
VOC Emissions	CDPH (CA 01350)
Antimicrobial Testing	Mould & mildew resistant
Sustainability	<ul style="list-style-type: none"> • 100% recyclable • LBC Red List free • Contributes to LEED certification • Free of toxic substances and of off-gassing • Made with ~60% recycled content from plastic water bottles

- How to Specify**
- Product Name & Code
 - Dimensions
 - Colour
 - Installation Method

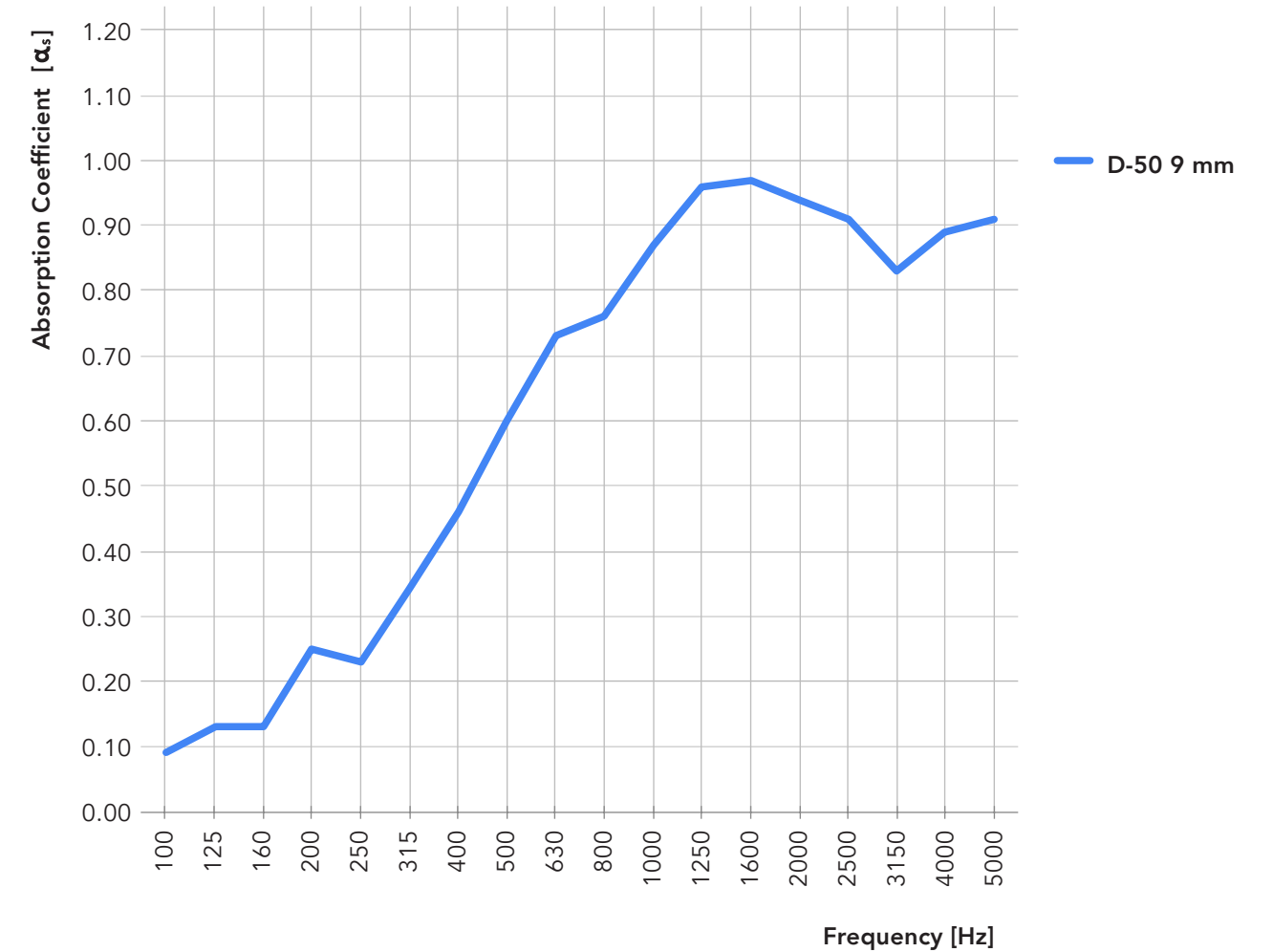
Colour & Texture Variations

The felting and dyeing process that forms the material contributes to its unique texture but also to variations in texture and colour from panel to panel. Products will be provided within an acceptable range of variation.



Acoustic Properties

The following values reflect the acoustic properties of the product as tested in accordance with ASTM C423-09a using Type D-50 mounting.



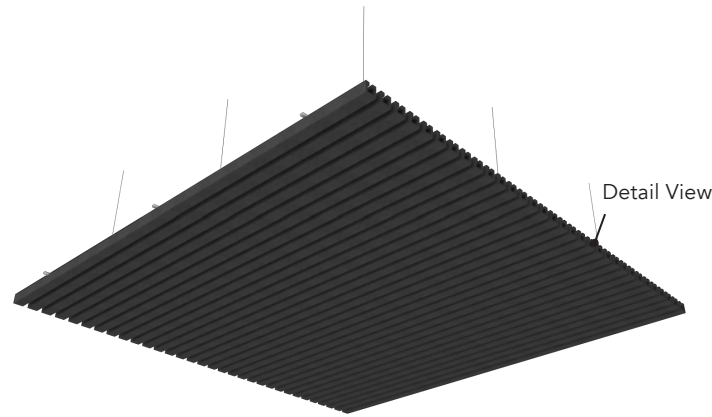
	NRC	SAA	200	250	315	400	500	630	800	1000	1250	1600	2000	2500
D-50 9 mm	0.65	0.67	0.25	0.23	0.34	0.46	0.60	0.73	0.76	0.87	0.96	0.97	0.94	0.91

Installation

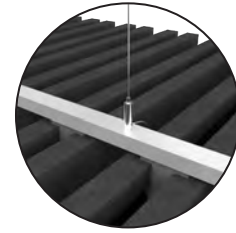
Installation method should be specified at the time of ordering.

Linear Baffle System Kit

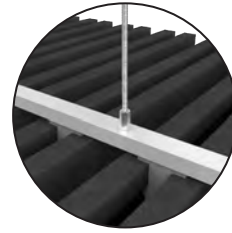
* Aluminum channels available in silver/black finish



Aircraft Cable with Adjustable Gripper (LNBF-LB-00)



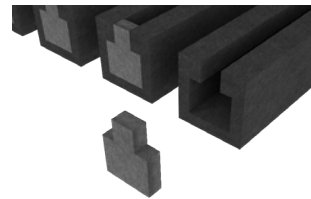
Threaded Rod (LNBF-LB-01)



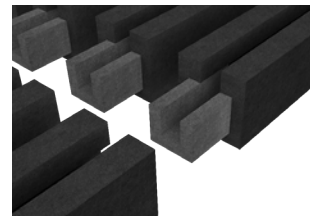
Optional Add-Ons



Non-Adjustable Surface Mounted Gripper (SGRP-GN-01)



Linear Baffle End Cap (ENCP-LB-00)
* Covers the end of the baffle



Linear Baffle Splice (SPLI-LB-00)
* Connects multiple Linear Baffle systems

Product Care

Handling & Storage

Handle products with care so as to avoid folding the polyester felt, chipping its edges or indenting its faces. Store products in their original containers in a well-ventilated area until the intended application environment is ready for installation. Allow products to acclimatize to environmental conditions. Lay them flat on their faces; do not stand them on their edges. Protect from moisture, heat, direct sunlight and the elements.

Maintenance

Lightly brush or gently vacuum to remove dust from polyester felt. Clean with warm water and mild, non-toxic soap to remove spills. Test solution on an inconspicuous spot before applying to more visible areas. Blot with a dry cloth after applying the solution to avoid saturating the material. Avoid applying too much pressure when cleaning the products.

Warranty

AKUSTUS warrants the construction and finish of all our products to be free from defects in material and workmanship for a period of 1 year from the date of purchase.

Colours

* 12/24 mm only



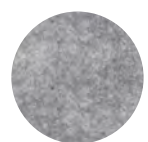
Pure White
SP 07



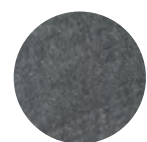
Urban Grey
SP 79



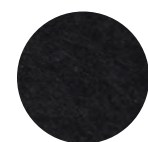
Pumice
SP 11



Cool Grey
SP 36



Mid Grey
SP 37



Black
SP 13



Ivory
SP 77



Beige
SP 04



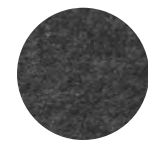
Sandstone
SP 12



Taupe Grey *
SP 90



Warm Grey
SP 76



Graphite
SP 03



Castlerock *
SP 80



Blush Pink
SP 81



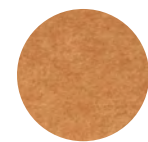
Plum
SP 72



Red
SP 08



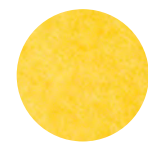
Orange
SP 46



Yam
SP 28



Mustard *
SP 87



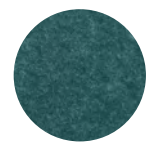
Sunflower
SP 05



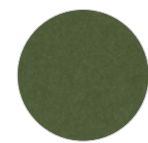
Chartreuse
SP 43



Moss *
SP 89



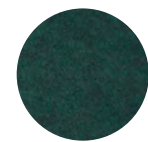
Peacock *
SP 82



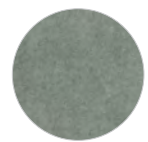
Olive *
SP 88



Ocean Green *
SP 86



Forest Green
SP 17



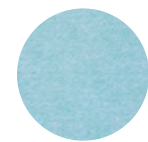
Desert Sage
SP 78



Deep Sea Blue *
SP 83



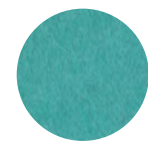
Krypton
SP 30



Pale Teal
SP 74



Lagoon *
SP 84



Aquamarine
SP 73



Dark Turquoise
SP 71



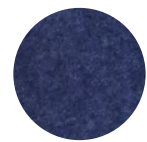
Azure *
SP 85



Sky Blue
SP 25



Navy
SP 01

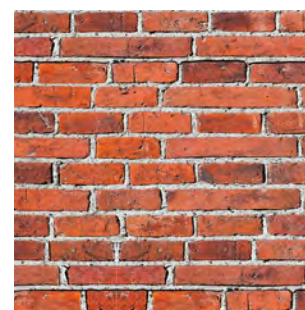


Midnight Blue
SP 19

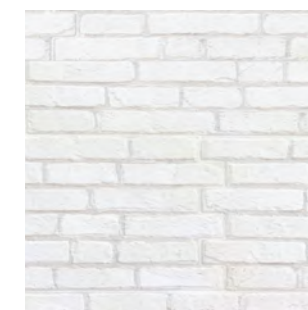


Purple
SP 50

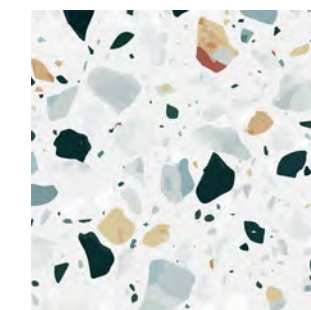
Impressio Print Options



Arizona Red Brick



Dover White Brick



Millennium Stones



Silver Oak



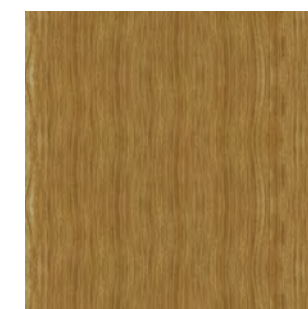
Ebony Oak



Greige Oak



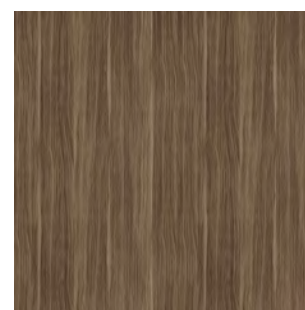
White Oak



Golden Oak



Cafe Oak



Teak



Walnut