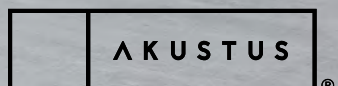


# Chevron Wall Panel

BY AKUSTUS DESIGNS





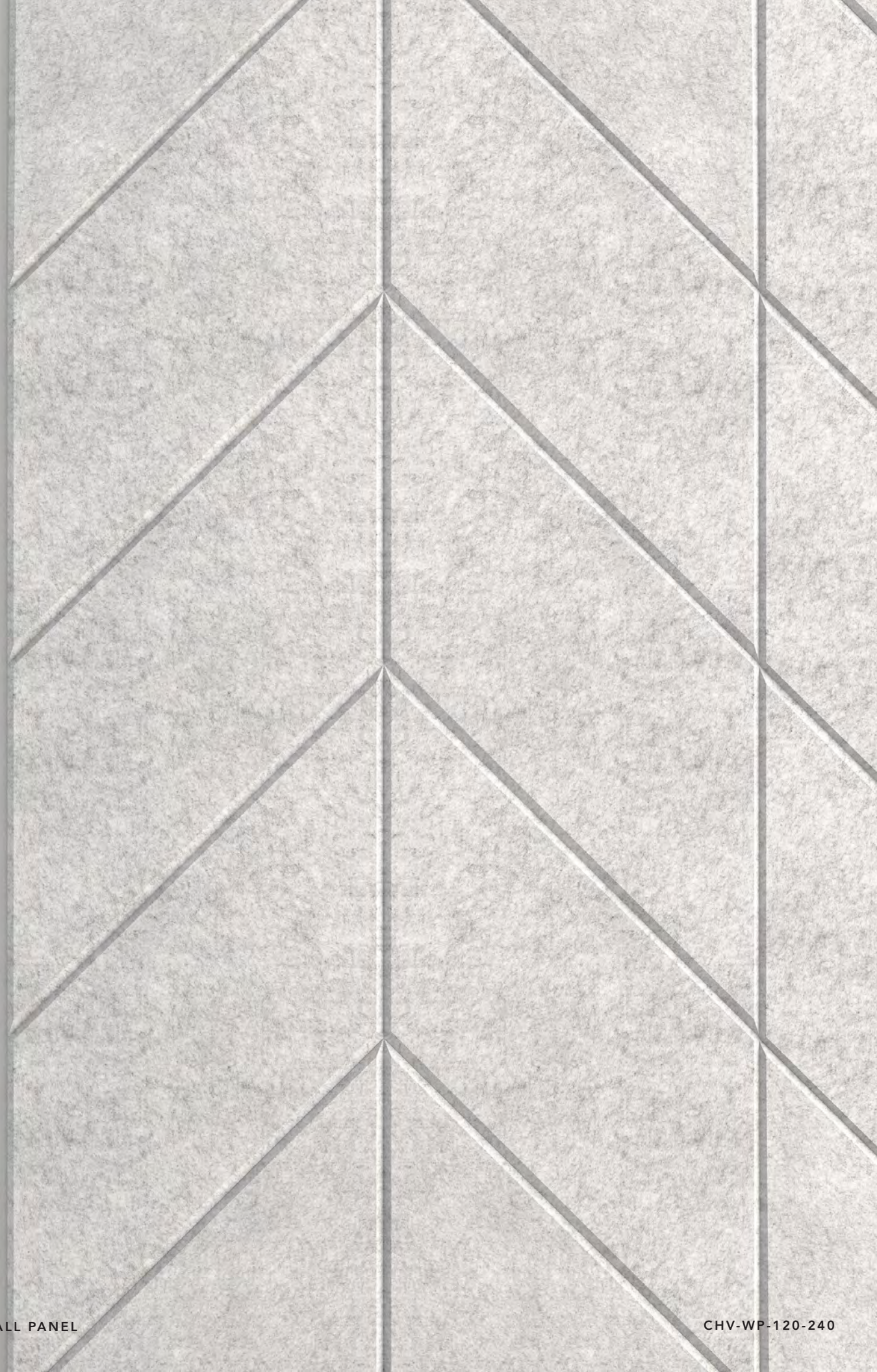
The **Chevron Wall Panel** features the classic V-shaped pattern in the contemporary medium of acoustic panels, giving new purpose to a time-honoured design. Mount Chevron to the wall to remove excess sound from a student lounge or from a meeting room.



CHEVRON WALL PANEL

CHV-WP-120-120

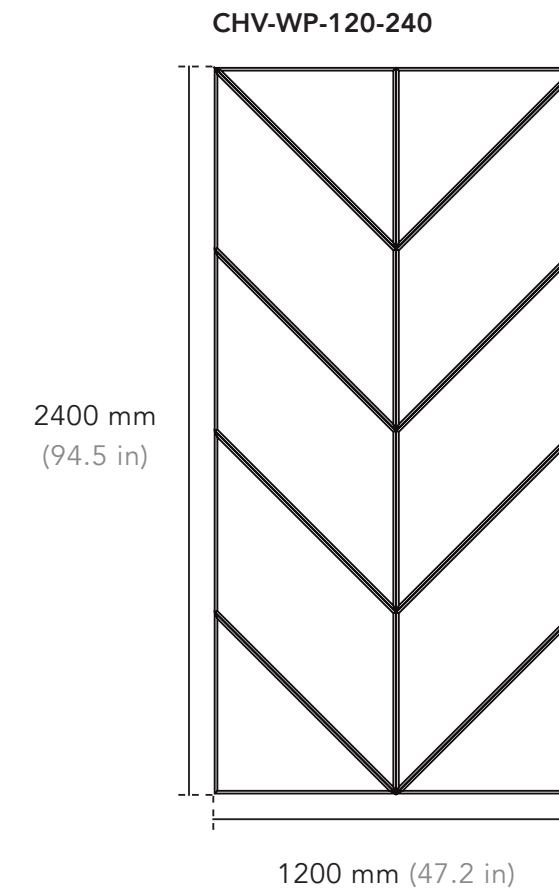
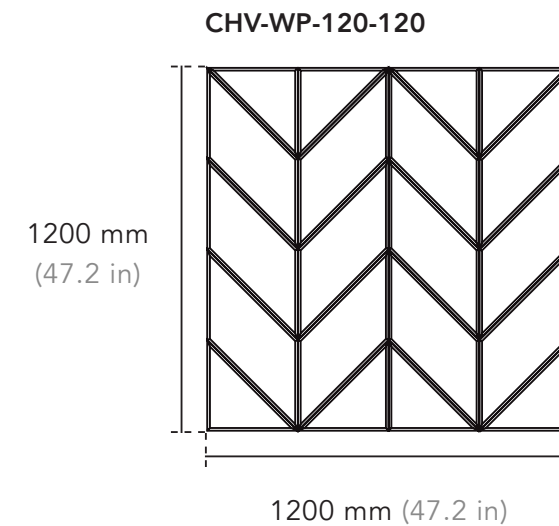
CHEVRON WALL PANEL



## Dimensions

Available Thicknesses: 12, 18, 24 mm (0.5, 0.7, 0.9 in)

\* Custom shape and size available.



## Product Data

Product Code	Width x Height	Thickness	Weight
CHV-WP-120-120	1200 x 1200 mm 47.2 x 47.2 in	12, 18, 24 mm 0.5, 0.7, 0.9 in	3.6, 5.8, 7.2 kg 7.9, 12.8, 15.9 lb
CHV-WP-120-240	1200 x 2400 mm 47.2 x 94.5 in	12, 18, 24 mm 0.5, 0.7, 0.9 in	7.2, 11.5, 14.4 kg 15.9, 25.4, 31.7 lb

# Specifications

- Product Name** Chevron Wall Panel
- Composition** 100% polyester fibre
- Edge Detail** Chamfered edge
- Fire Rating**
  - ASTM E84 Class A
  - CAN/ULC-S102.2-10
- VOC Emissions** CDPH (CA 01350)
- Antimicrobial Testing** Mould & mildew resistant
- Sustainability**
  - 100% recyclable
  - LBC Red List free
  - Contributes to LEED certification
  - Free of toxic substances and of off-gassing
  - Made with ~60% recycled content from plastic water bottles

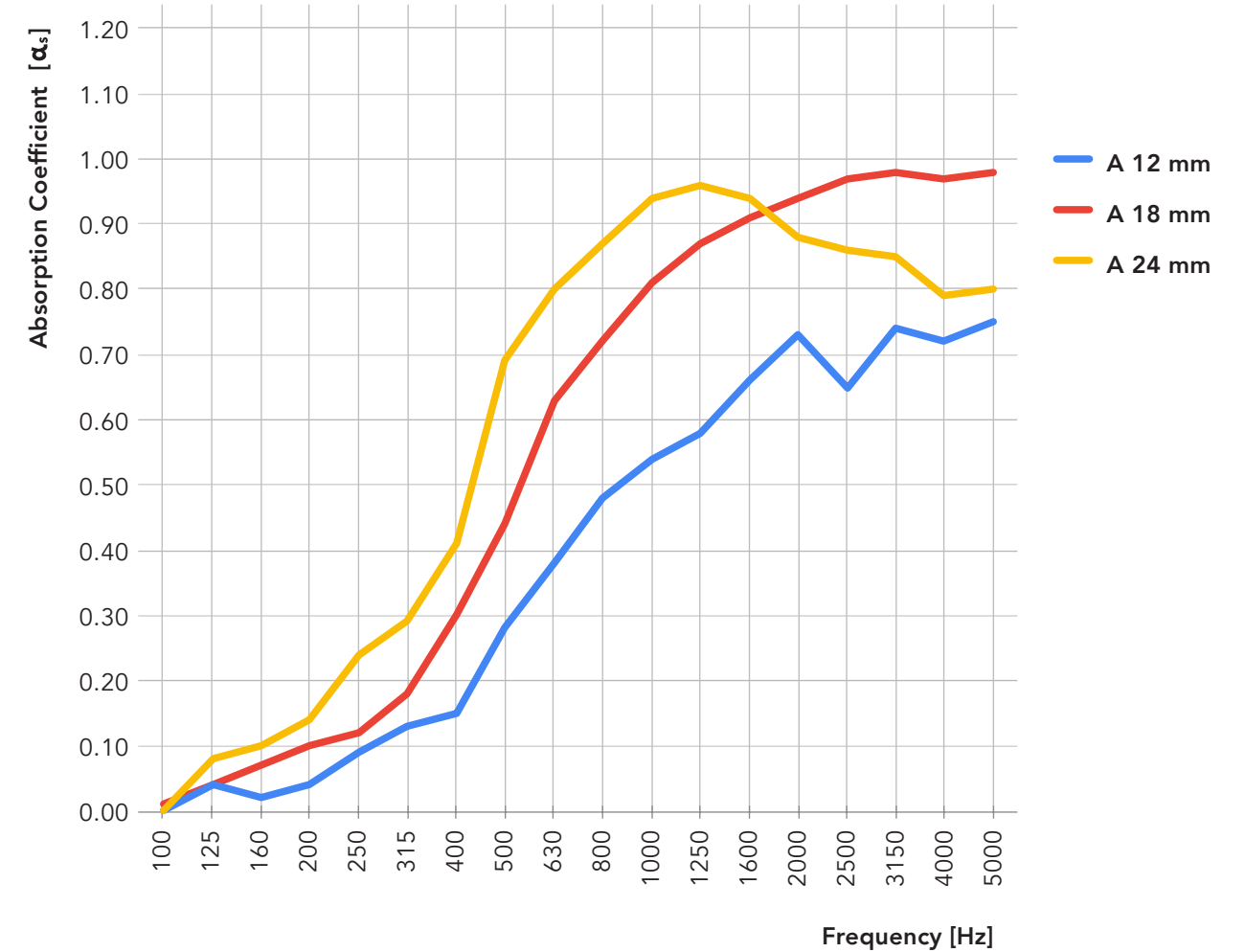
- How to Specify**
  - Product Name & Code
  - Dimensions
  - Colour
  - Installation Method

**Colour & Texture Variations** The felting and dyeing process that forms the material contributes to its unique texture but also to variations in texture and colour from panel to panel. Products will be provided within an acceptable range of variation.



# Acoustic Properties

The following values reflect the acoustic properties of the product as tested in accordance with ASTM C423-09a using Type A mounting.

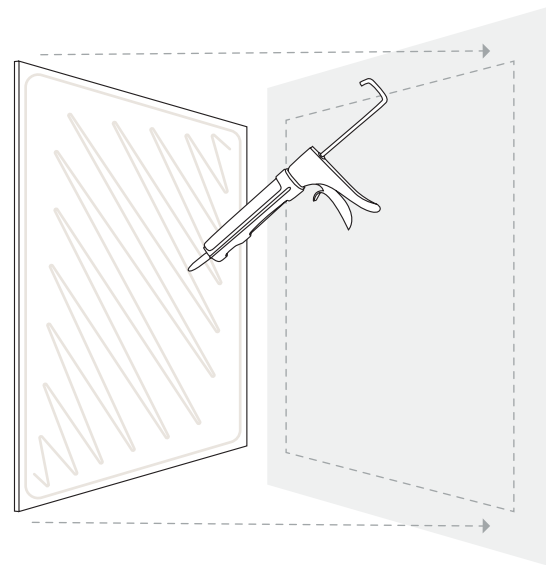
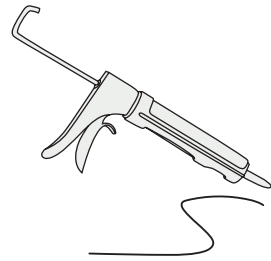


	NRC	SAA	200	250	315	400	500	630	800	1000	1250	1600	2000	2500
<b>A 12 mm</b>	0.40	0.39	0.04	0.09	0.13	0.15	0.28	0.38	0.48	0.54	0.58	0.66	0.73	0.65
<b>A 18 mm</b>	0.60	0.58	0.10	0.12	0.18	0.30	0.44	0.63	0.72	0.81	0.87	0.91	0.94	0.97
<b>A 24 mm</b>	0.70	0.67	0.14	0.24	0.29	0.41	0.69	0.80	0.87	0.94	0.96	0.94	0.88	0.86

# Installation

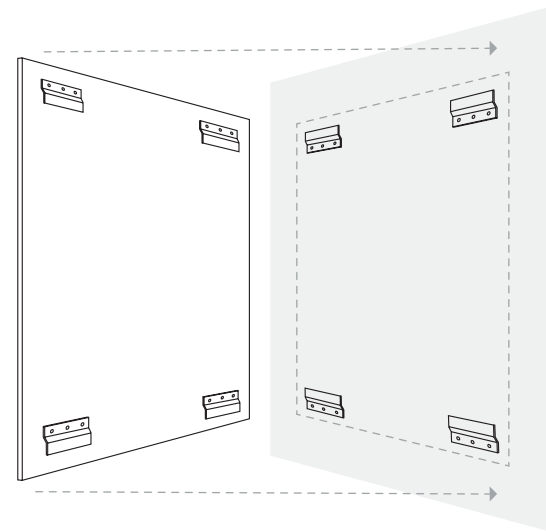
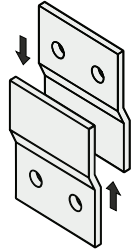
Specify one of the following options at the time of ordering.

## Construction Adhesive

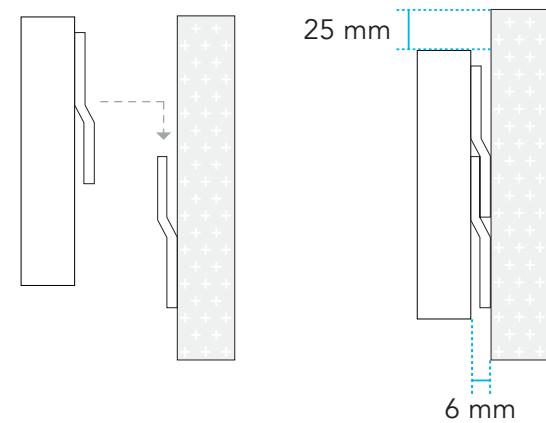


- By others
- Recommendation
- Liquid Nails Heavy Duty (Low VOC) LN-903
- Alternatives
- LePage PL Premium
  - LePage PL Premium Max
  - LePage No More Nails Heavy Duty
  - LePage No More Nails Ultimate Crystal Clear
  - (At your discretion, other construction adhesive may be used but should be tested for effectiveness)

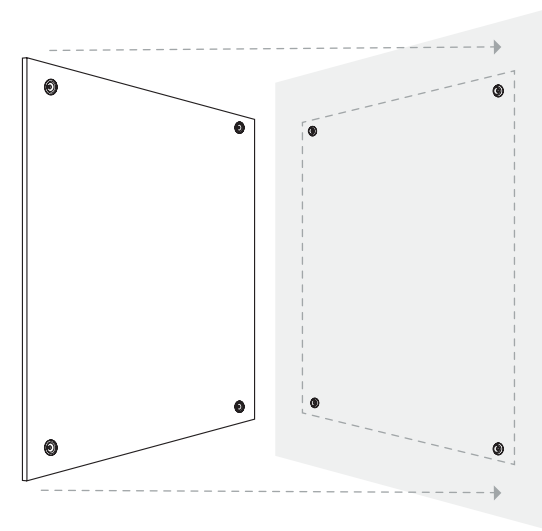
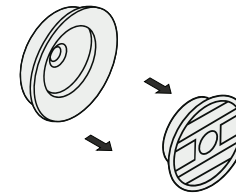
## Z-clips (KT-ZCLP-00)



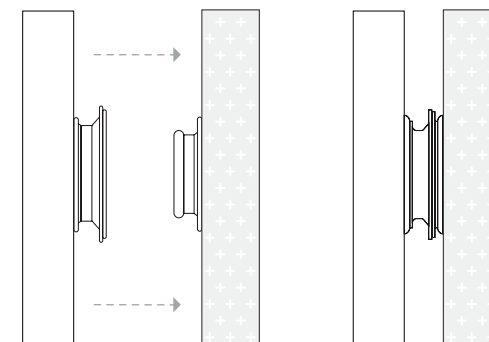
- 6 mm (1/4 in) projection from the wall
- 25 mm (1 in) clearance required above the panel



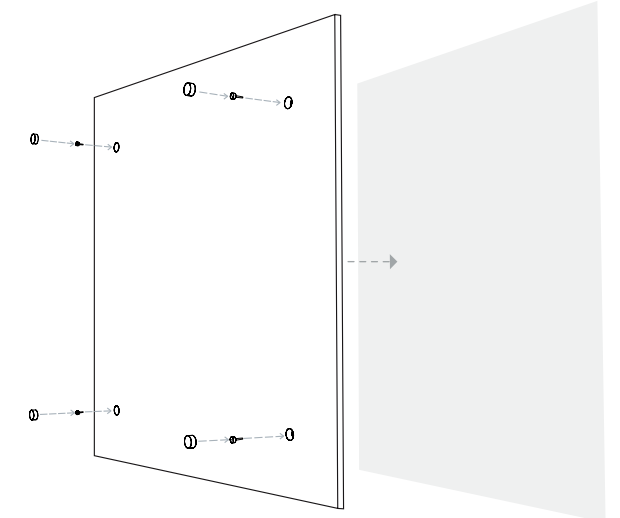
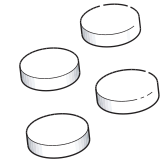
## Push Mounts (KT-PUSH-00)



- Panels come with mounts pre-installed but receiving mount must be installed on-site



## Concealed Mechanical Fasteners (KT-CCAP-00)



- Concealer Caps
- Provided in matching colour & material as panel
- Mechanical Fasteners
- By others
  - Optional: construction adhesive can be applied for more robust & permanent installation

# Product Care

## Handling & Storage

Handle products with care so as to avoid folding the polyester felt, chipping its edges or indenting its faces. Store products in their original containers in a well-ventilated area until the intended application environment is ready for installation. Allow products to acclimatize to environmental conditions. Lay them flat on their faces; do not stand them on their edges. Protect from moisture, heat, direct sunlight and the elements.

## Maintenance

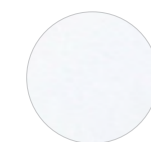
Lightly brush or gently vacuum to remove dust from polyester felt. Clean with warm water and mild, non-toxic soap to remove spills. Test solution on an inconspicuous spot before applying to more visible areas. Blot with a dry cloth after applying the solution to avoid saturating the material. Avoid applying too much pressure when cleaning the products.

## Warranty

AKUSTUS warrants the construction and finish of all our products to be free from defects in material and workmanship for a period of 1 year from the date of purchase.

# Colours

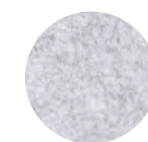
\* 12/24 mm only



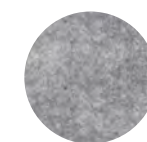
Pure White  
SP 07



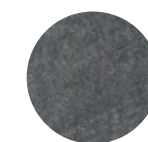
Urban Grey  
SP 79



Pumice  
SP 11



Cool Grey  
SP 36



Mid Grey  
SP 37



Black  
SP 13



Ivory  
SP 77



Beige  
SP 04



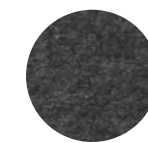
Sandstone  
SP 12



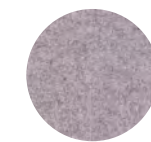
Taupe Grey \*  
SP 90



Warm Grey  
SP 76



Graphite  
SP 03



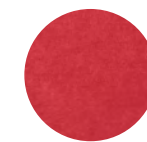
Castlerock \*  
SP 80



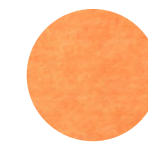
Blush Pink  
SP 81



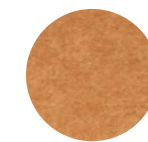
Plum  
SP 72



Red  
SP 08



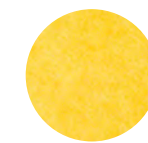
Orange  
SP 46



Yam  
SP 28



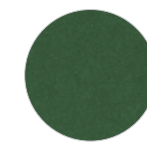
Mustard \*  
SP 87



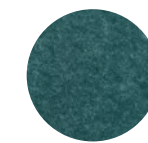
Sunflower  
SP 05



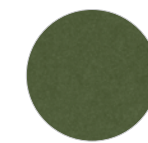
Chartreuse  
SP 43



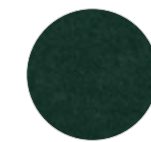
Moss \*  
SP 89



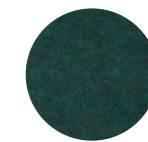
Peacock \*  
SP 82



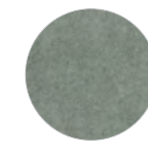
Olive \*  
SP 88



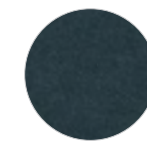
Ocean Green \*  
SP 86



Forest Green  
SP 17



Desert Sage  
SP 78



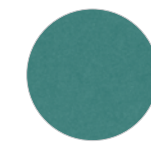
Deep Sea Blue \*  
SP 83



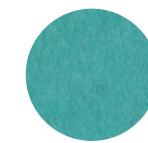
Krypton  
SP 30



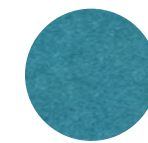
Pale Teal  
SP 74



Lagoon \*  
SP 84



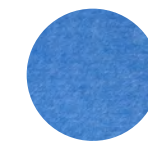
Aquamarine  
SP 73



Dark Turquoise  
SP 71



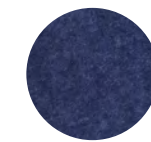
Azure \*  
SP 85



Sky Blue  
SP 25



Navy  
SP 01



Midnight Blue  
SP 19



Purple  
SP 50