

9 mm PET Panel

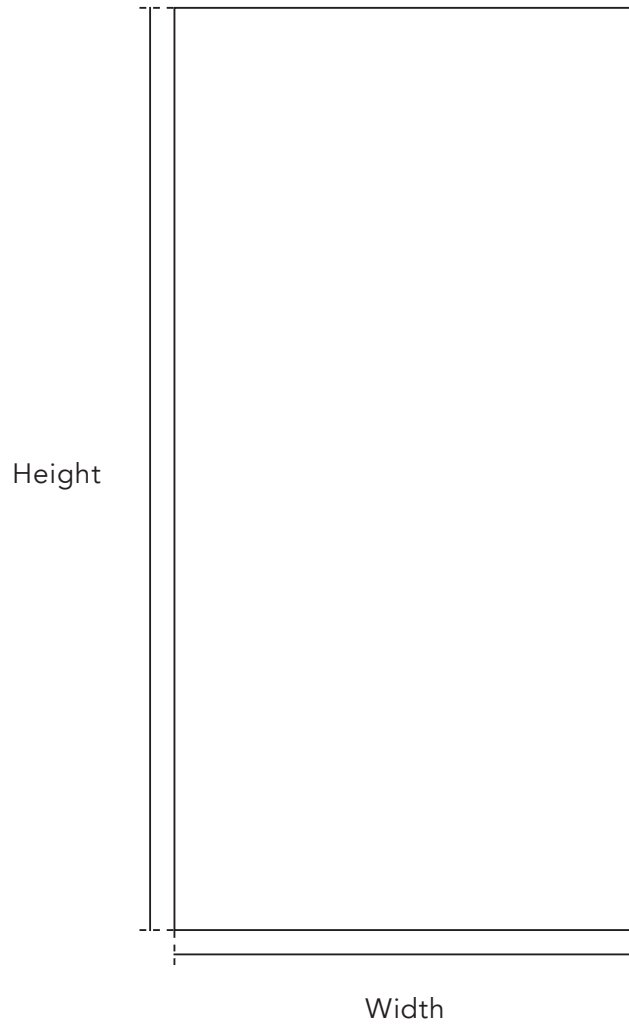
BY AKUSTUS DESIGNS



Dimensions

Thickness: 9 mm (0.35 in)

* Custom shape and size available.



Product Data

Product Code	Width x Height	Thickness	Weight
SRZ-PN-122-244-009	1220 x 2440 mm 48.03 x 96.06 in	9 mm 0.35 in	5.95 kg 13.12 lb
SRZ-PN-122-274-009	1220 x 2745 mm 48.03 x 108.07 in	9 mm 0.35 in	14.76 kg 6.7 lb

Specifications

Product Name	9 mm PET Panel
Composition	100% polyester fibre
Edge Detail	Square / chamfered edge
Fire Rating	<ul style="list-style-type: none"> • ASTM E84 Class A • CAN/ULC-S102.2-10
VOC Emissions	CDPH (CA 01350)
Sustainability	<ul style="list-style-type: none"> • 100% recyclable • LBC Red List free • Contributes to LEED certification • Free of toxic substances and of off-gassing • Made with ~60% recycled content from plastic water bottles
How to Specify	<ul style="list-style-type: none"> • Product Name & Code • Dimensions • Colour • Installation Method

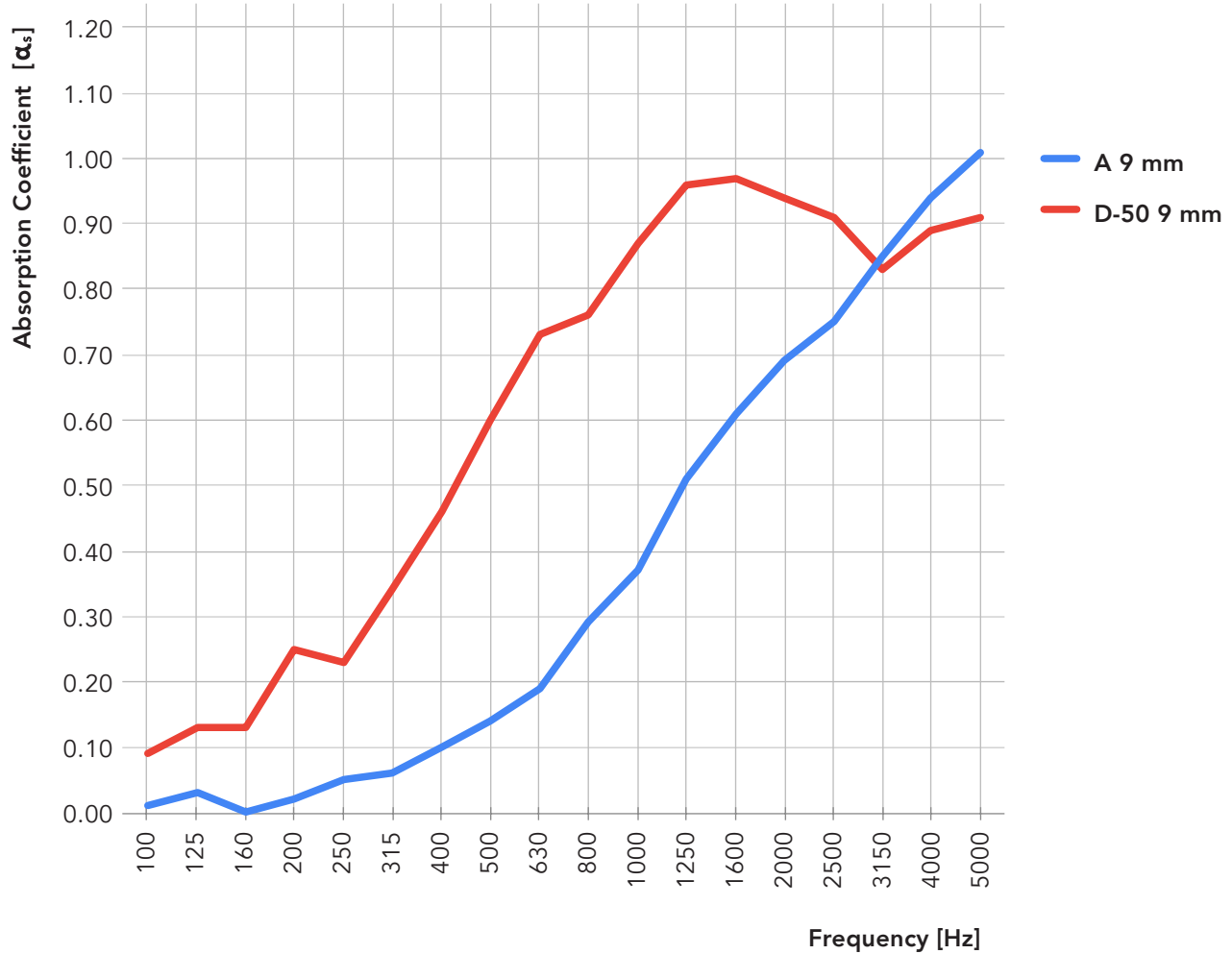
Colour & Texture Variations

The felting and dyeing process that forms the material contributes to its unique texture but also to variations in texture and colour from panel to panel. Products will be provided within an acceptable range of variation.



Acoustic Properties

The following values reflect the acoustic properties of the product as tested in accordance with ASTM C423-09a using Type A and Type D-50 mounting.

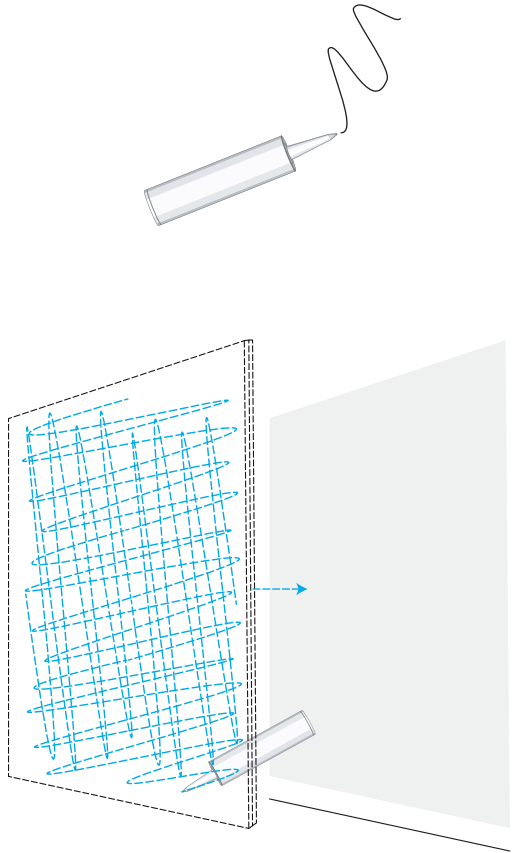


	NRC	SAA	200	250	315	400	500	630	800	1000	1250	1600	2000	2500
A 9 mm	0.30	0.32	0.02	0.05	0.06	0.10	0.14	0.19	0.29	0.37	0.51	0.61	0.69	0.75
D-50 9 mm	0.65	0.67	0.25	0.23	0.34	0.46	0.60	0.73	0.76	0.87	0.96	0.97	0.94	0.91

Installation

Specify one of the following options at the time of ordering.

Construction Adhesive



- By others

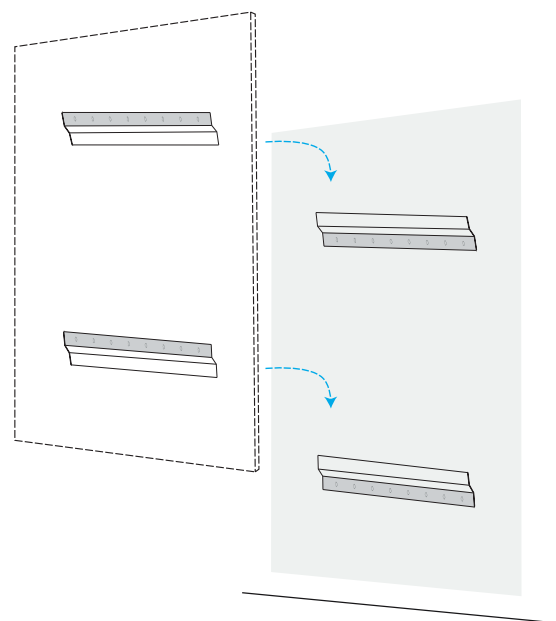
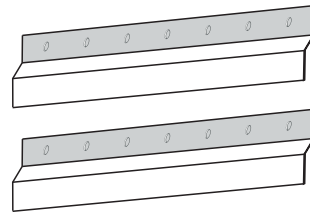
Recommendation

- Liquid Nails Heavy Duty (Low VOC)
LN-903

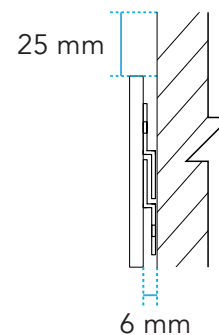
Alternatives

- LePage No More Nails Heavy Duty
- LePage No More Nails Ultimate Crystal Clear
- LePage PL Premium Max
- (At your discretion, other construction adhesive may be used but should be tested for effectiveness)

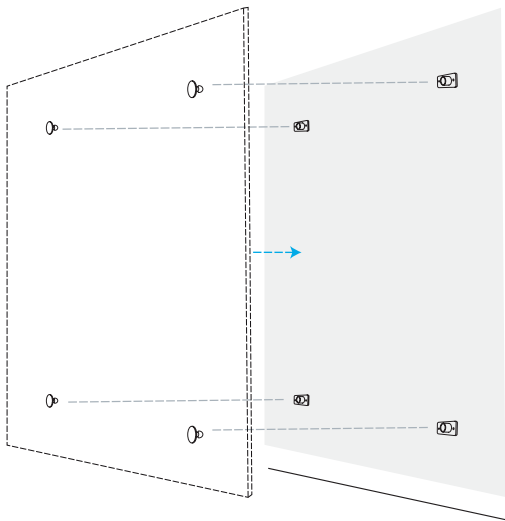
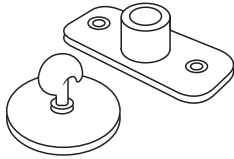
Z-clips (KT-ZCLP-00)



- 6 mm (¼ in) projection from the wall
- 25 mm (1 in) clearance required above the panel

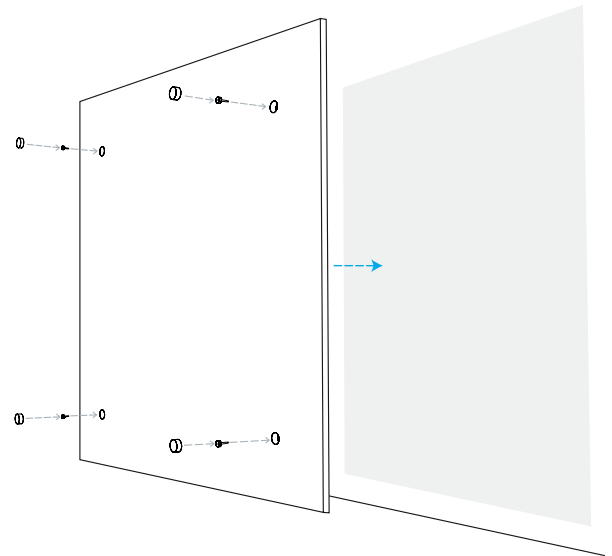
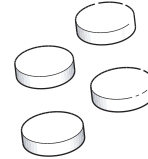


Push Mounts (KT-PUSH-00)



- Panels come with mounts pre-installed but receiving mount must be installed on-site

Concealed Mechanical Fasteners (KT-CCAP-00)



Concealer Caps

- Provided in matching colour & material as panel

Mechanical Fasteners

- By others
- Optional: construction adhesive can be applied for more robust & permanent installation

Product Care

Handling & Storage

Handle products with care so as to avoid folding the polyester felt, chipping its edges or indenting its faces. Store products in their original containers in a well-ventilated area until the intended application environment is ready for installation. Allow products to acclimatize to environmental conditions. Lay them flat on their faces; do not stand them on their edges. Protect from moisture, heat, direct sunlight and the elements.

Maintenance

Lightly brush or gently vacuum to remove dust from polyester felt. Clean with warm water and mild, non-toxic soap to remove spills. Test solution on an inconspicuous spot before applying to more visible areas. Blot with a dry cloth after applying the solution to avoid saturating the material. Avoid applying too much pressure when cleaning the products.

Warranty

AKUSTUS warrants the construction and finish of all our products to be free from defects in material and workmanship for a period of 1 year from the date of purchase.

Colours

Note: Not all colours are available in 1220 x 2745 mm. Please check with AKUSTUS for details.



NEW

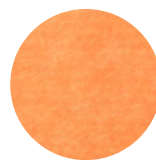
Ivory
SP 77



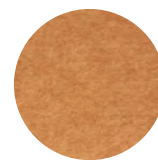
Beige
SP 04



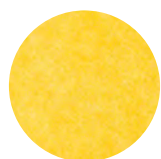
Sandstone
SP 12



Orange
SP 46



Yam
SP 28



Sunflower
SP 05



Red
SP 08



Wild Currant
SP 48



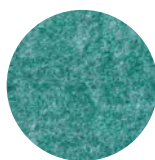
Plum
SP 72



Purple
SP 50



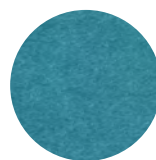
Chartreuse
SP 43



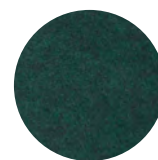
Green
SP 10



Aquamarine
SP 73



Dark Turquoise
SP 71



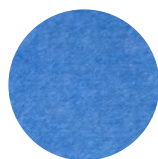
Forest Green
SP 17



Krypton
SP 30



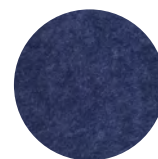
Pale Teal
SP 74



Sky Blue
SP 25



Navy
SP 01



Midnight Blue
SP 19



Pure White
SP 07



NEW

Urban Grey
SP 79



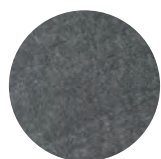
Pumice
SP 11



Warm Grey
SP 76



Cool Grey
SP 36



Mid Grey
SP 37



Graphite
SP 03



Black
SP 13