



Terrain Box Panel

BY AKUSTUS DESIGNS

AKUSTUS

®

[AKUSTUS.COM](https://www.akustus.com)

[INFO@AKUSTUS.COM](mailto:info@akustus.com)

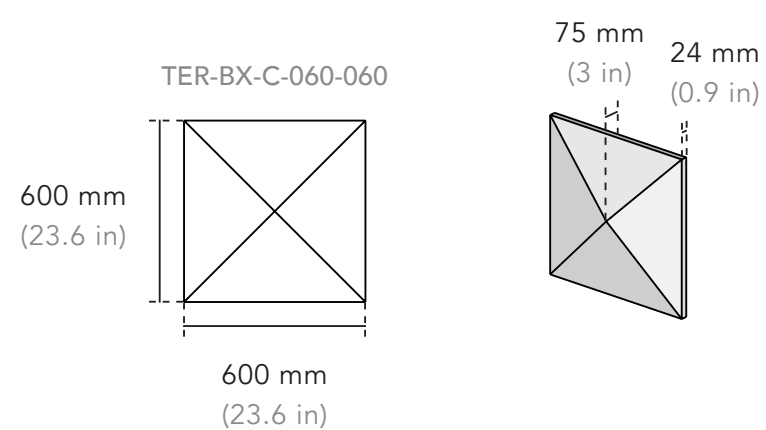
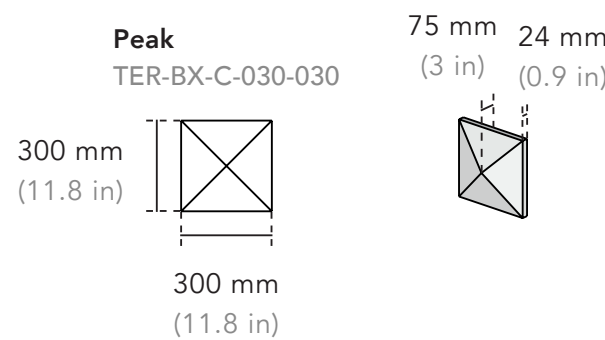
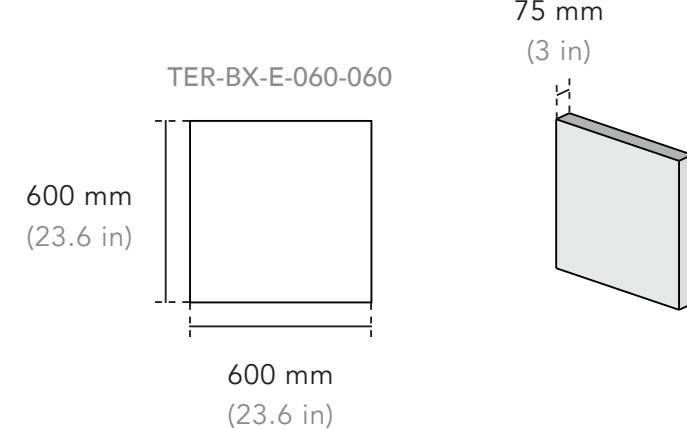
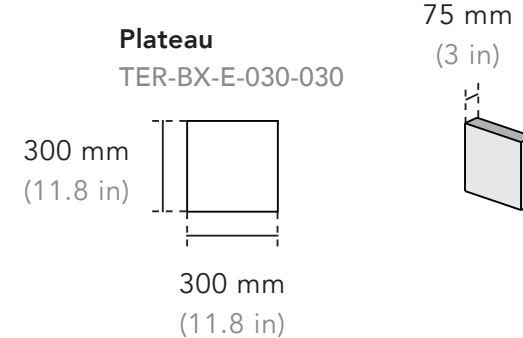
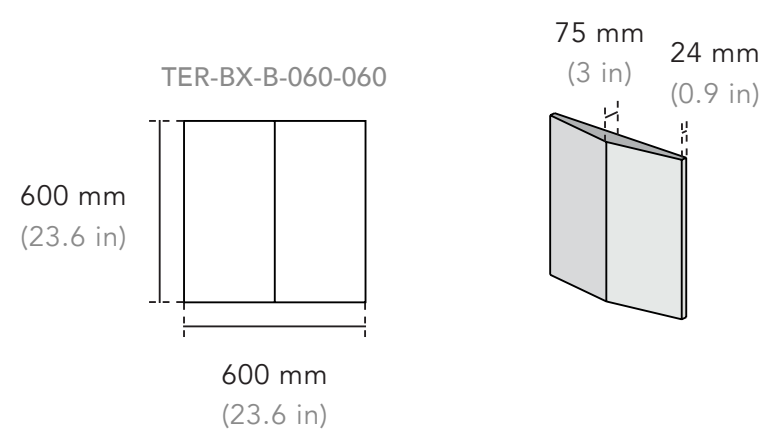
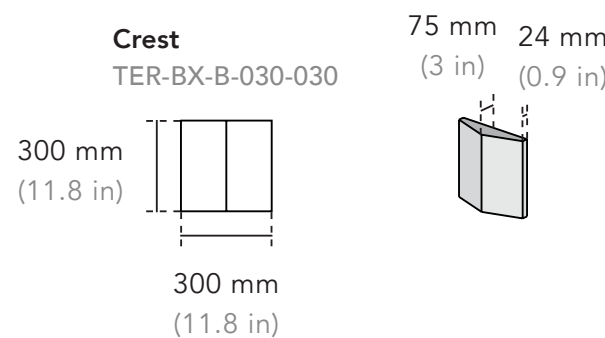
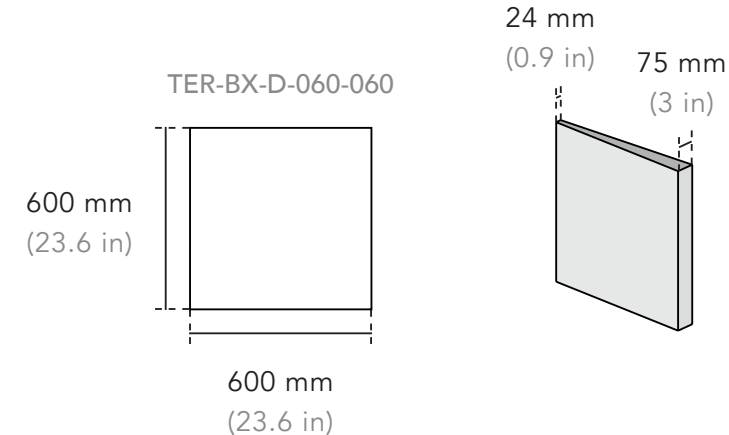
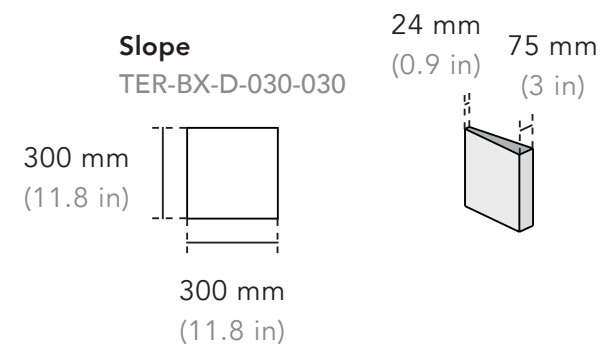
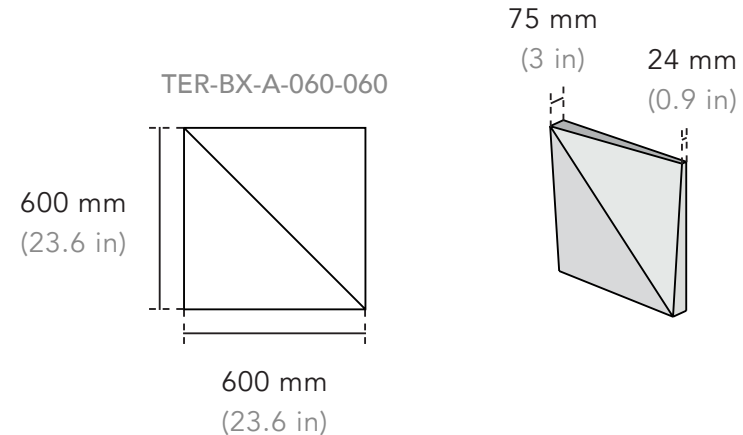
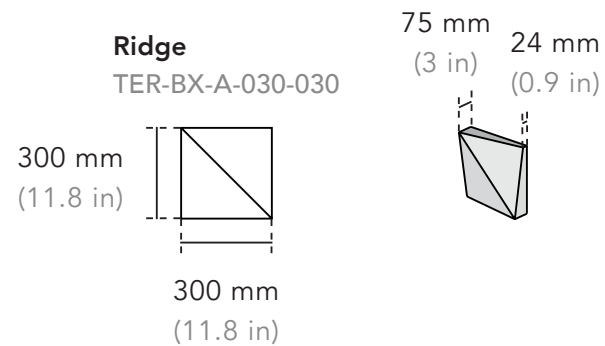


TER-BX-A-060-060

Terrain Box Panels feature a wide range of shapes that resemble the dips and peaks of natural landscapes. Combine and arrange these panels, varying the shapes and orientations, to create striking and captivating patterns with three-dimensional texture. Mounted to the wall of a boardroom or a lobby, Terrain is the go-to solution for sound diffusion and reverb absorption.

Dimensions

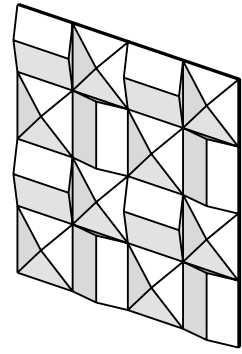
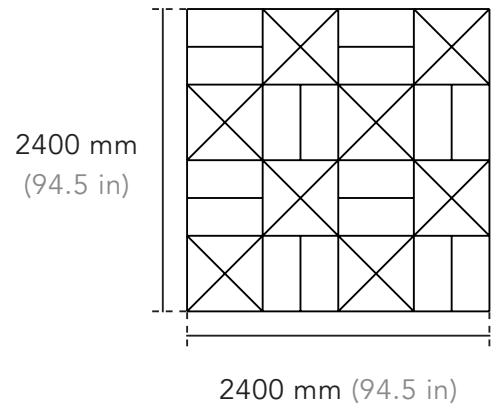
* Custom shape and size available.



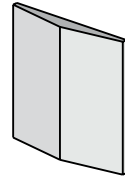
Configurations

* Configuration designs are repeatable and customizable.

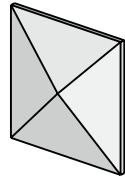
Configuration 1



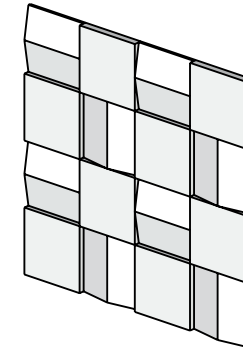
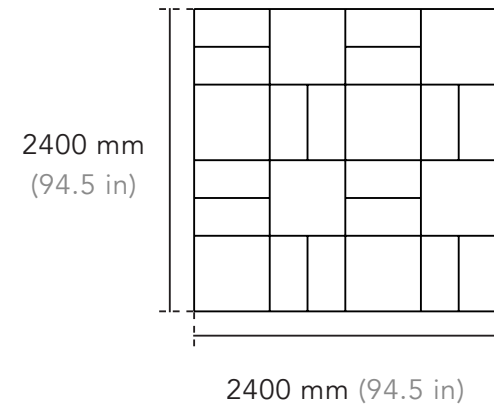
Crest



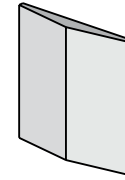
Peak



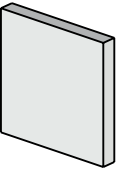
Configuration 4



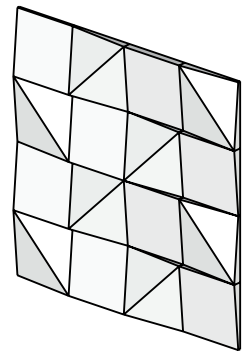
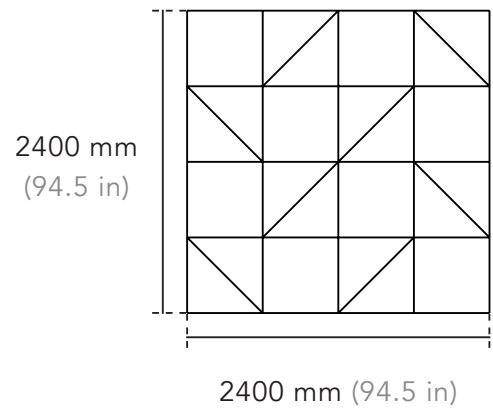
Crest



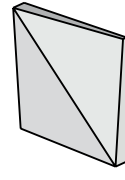
Plateau



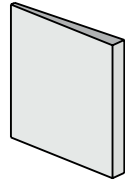
Configuration 2



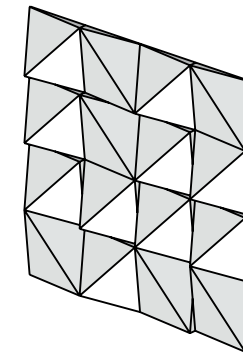
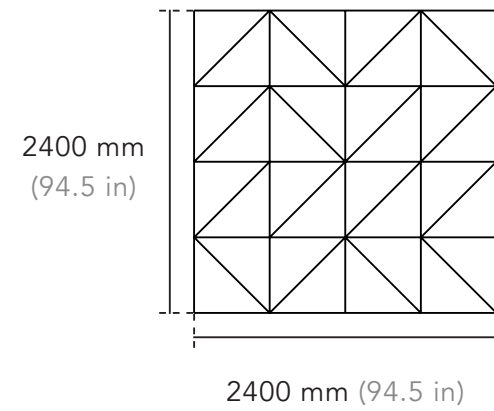
Ridge



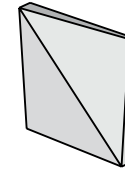
Slope



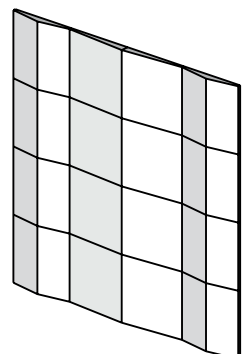
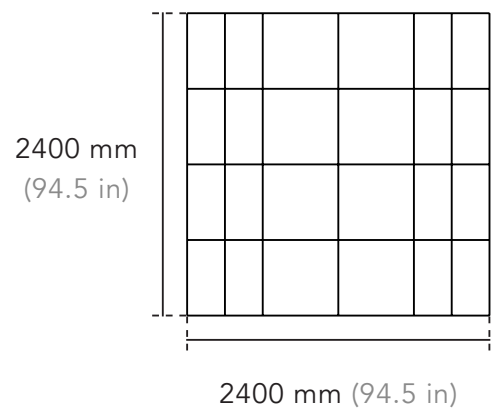
Configuration 5



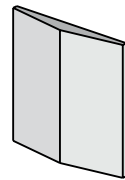
Ridge



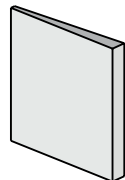
Configuration 3



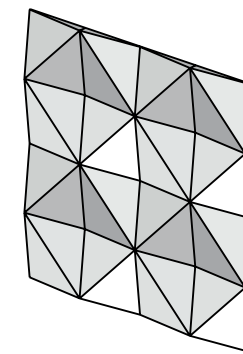
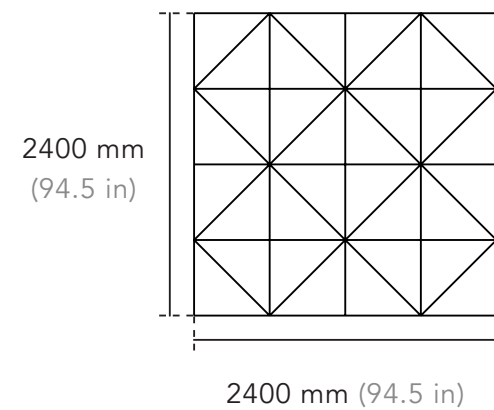
Crest



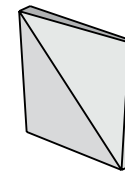
Slope



Configuration 6



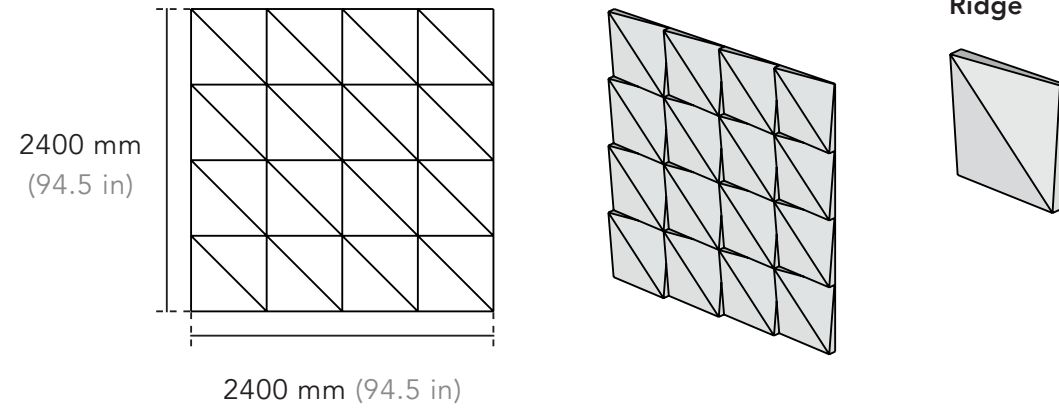
Ridge



Configurations

* Configuration designs are repeatable and customizable.

Configuration 7



Product Data

Product Code	Width x Height	Depth	Weight
TER-BX-A-030-030 Ridge	300 x 300 mm 11.8 x 11.8 in	75 mm 3 in	0.5 kg 1.1 lb
TER-BX-A-060-060 Ridge	600 x 600 mm 23.6 x 23.6 in	75 mm 3 in	1.4 kg 3.1 lb
TER-BX-B-030-030 Crest	300 x 300 mm 11.8 x 11.8 in	75 mm 3 in	0.5 kg 1.1 lb
TER-BX-B-060-060 Crest	600 x 600 mm 23.6 x 23.6 in	75 mm 3 in	1.4 kg 3.1 lb
TER-BX-C-030-030 Peak	300 x 300 mm 11.8 x 11.8 in	75 mm 3 in	0.5 kg 1.1 lb
TER-BX-C-060-060 Peak	600 x 600 mm 23.6 x 23.6 in	75 mm 3 in	1.4 kg 3.1 lb
TER-BX-D-030-030 Slope	300 x 300 mm 11.8 x 11.8 in	75 mm 3 in	0.5 kg 1.1 lb
TER-BX-D-060-060 Slope	600 x 600 mm 23.6 x 23.6 in	75 mm 3 in	1.4 kg 3.1 lb
TER-BX-E-030-030 Plateau	300 x 300 mm 11.8 x 11.8 in	75 mm 3 in	0.5 kg 1.1 lb
TER-BX-E-060-060 Plateau	600 x 600 mm 23.6 x 23.6 in	75 mm 3 in	1.4 kg 3.1 lb

Specifications

Product Name	Terrain Box Panel
Composition	100% polyester fibre
Edge Detail	Box edge
Fire Rating	<ul style="list-style-type: none"> • ASTM E84 Class A • CAN/ULC-S102.2-10
VOC Emissions	CDPH (CA 01350)
Antimicrobial Testing	Mould & mildew resistant
Sustainability	<ul style="list-style-type: none"> • 100% recyclable • LBC Red List free • Contributes to LEED certification • Free of toxic substances and of off-gassing • Made with ~60% recycled content from plastic water bottles

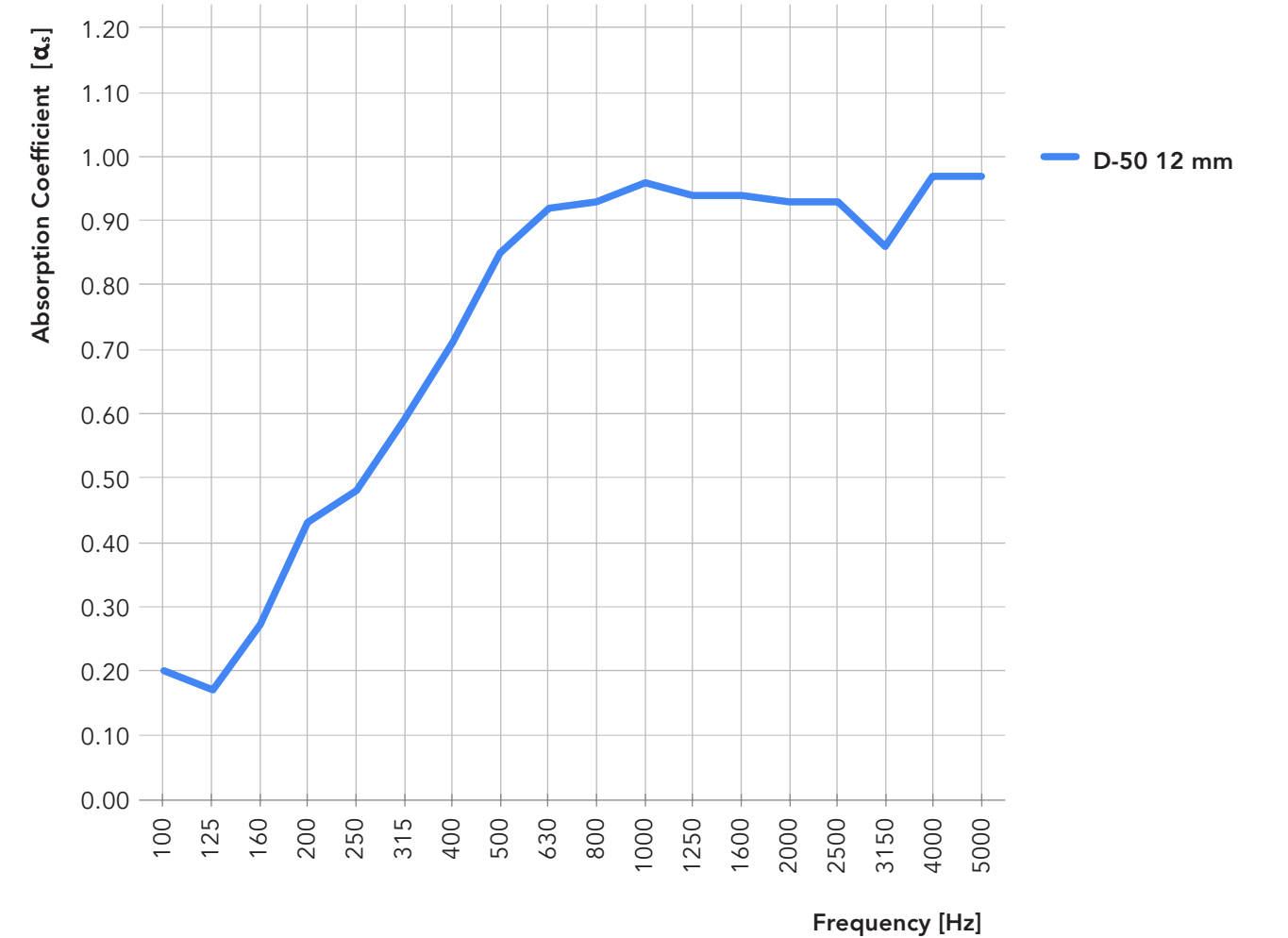
How to Specify	<ul style="list-style-type: none"> • Product Name & Code • Dimensions • Colour • Installation Method
-----------------------	--

Colour & Texture Variations The felting and dyeing process that forms the material contributes to its unique texture but also to variations in texture and colour from panel to panel. Products will be provided within an acceptable range of variation.



Acoustic Properties

The following values reflect the acoustic properties of the product as tested in accordance with ASTM C423-09a using Type D-50 mounting.

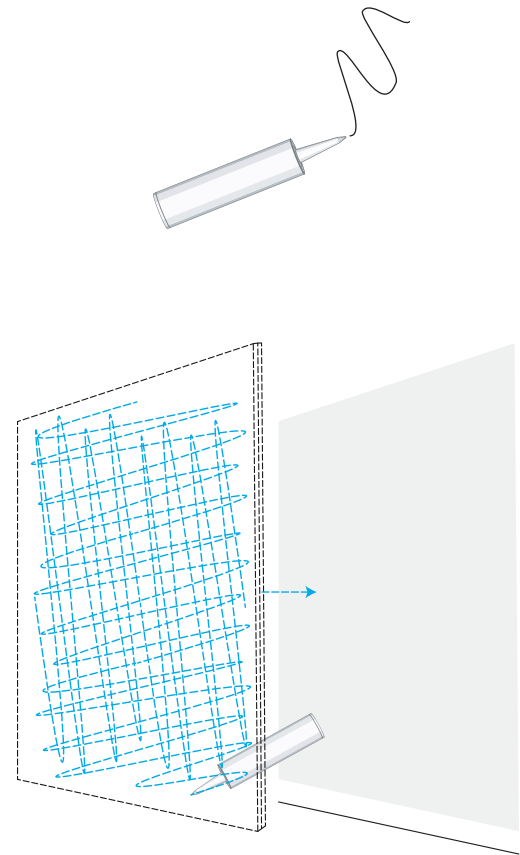


	NRC	SAA	200	250	315	400	500	630	800	1000	1250	1600	2000	2500
D-50 12 mm	0.80	0.80	0.43	0.48	0.59	0.71	0.85	0.92	0.93	0.96	0.94	0.94	0.93	0.93

Installation

Specify one of the following options at the time of ordering.

Construction Adhesive

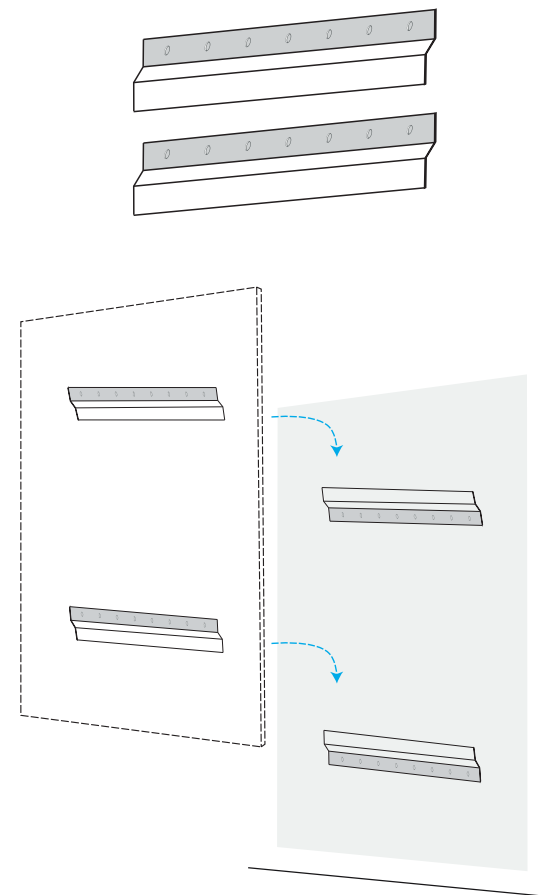


- By others
- Recommendation
- Liquid Nails Heavy Duty (Low VOC) LN-903

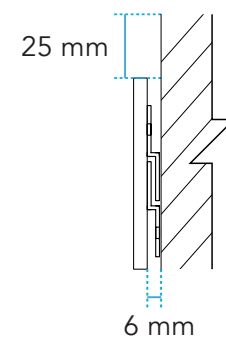
Alternatives

- LePage PL Premium
- LePage PL Premium Max
- LePage No More Nails Heavy Duty
- LePage No More Nails Ultimate Crystal Clear
- (At your discretion, other construction adhesive may be used but should be tested for effectiveness)

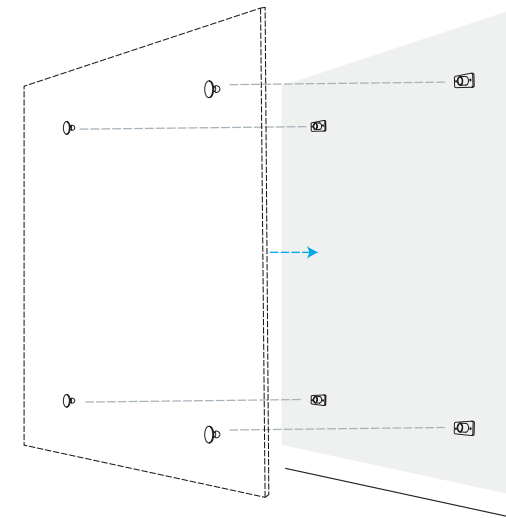
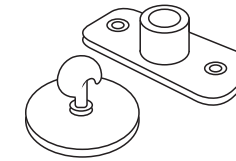
Z-clips (KT-ZCLP-00)



- 6 mm (1/4 in) projection from the wall
- 25 mm (1 in) clearance required above the panel



Push Mounts (KT-PUSH-00)



- Panels come with mounts pre-installed but receiving mount must be installed on-site

Product Care

Handling & Storage

Handle products with care so as to avoid folding the polyester felt, chipping its edges or indenting its faces. Store products in their original containers in a well-ventilated area until the intended application environment is ready for installation. Allow products to acclimatize to environmental conditions. Lay them flat on their faces; do not stand them on their edges. Protect from moisture, heat, direct sunlight and the elements.

Maintenance

Lightly brush or gently vacuum to remove dust from polyester felt. Clean with warm water and mild, non-toxic soap to remove spills. Test solution on an inconspicuous spot before applying to more visible areas. Blot with a dry cloth after applying the solution to avoid saturating the material. Avoid applying too much pressure when cleaning the products.

Warranty

AKUSTUS warrants the construction and finish of all our products to be free from defects in material and workmanship for a period of 1 year from the date of purchase.

Colours



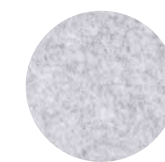
Pure White
SP 07



Krypton
SP 30



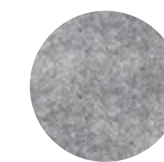
Urban Grey
SP 79



Pumice
SP 11



Warm Grey
SP 76



Cool Grey
SP 36



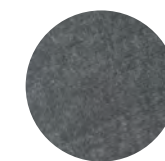
Ivory
SP 77



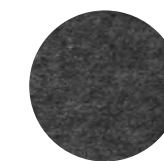
Beige
SP 04



Sandstone
SP 12



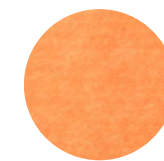
Mid Grey
SP 37



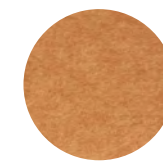
Graphite
SP 03



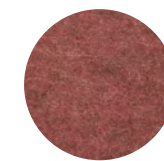
Black
SP 13



Orange
SP 46



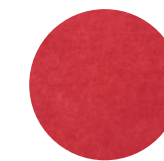
Yam
SP 28



Wild Currant
SP 48



Plum
SP 72

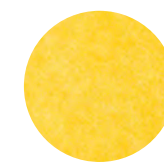


Red
SP 08



Blush Pink
SP 81

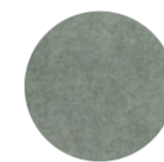
NEW



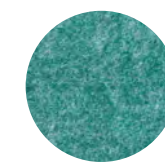
Sunflower
SP 05



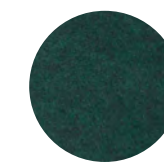
Chartreuse
SP 43



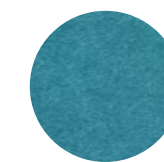
Desert Sage
SP 78



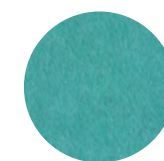
Green
SP 10



Forest Green
SP 17



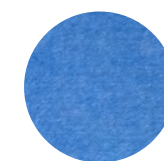
Dark Turquoise
SP 71



Aquamarine
SP 73



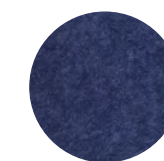
Pale Teal
SP 74



Sky Blue
SP 25



Navy
SP 01



Midnight Blue
SP 19