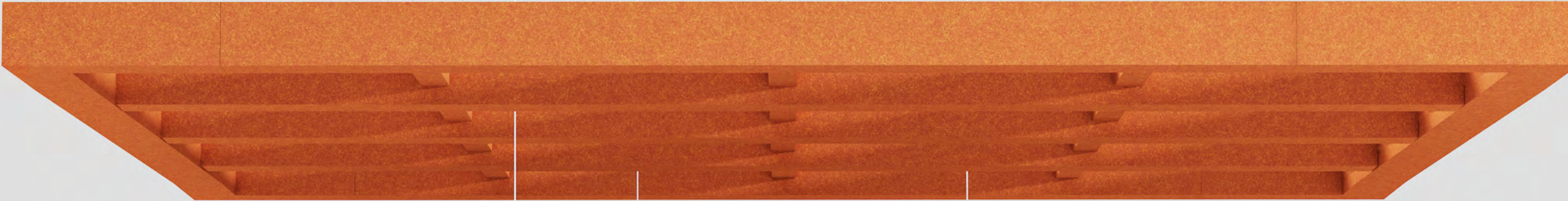


Grid Box Cloud

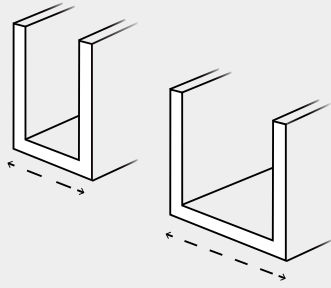




The methodical beams of Grid Box sketch a cross-hatch pattern across the ceiling, calmly drowning out noise while bringing back a timeless look.

How to Specify

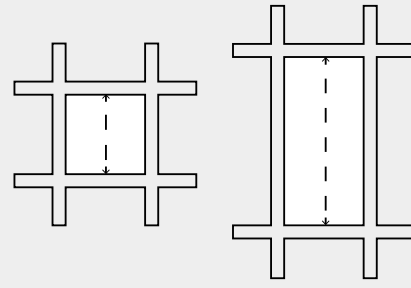
Step by step instructions on how to specify Grid Box Cloud.



01

Choose a baffle design.

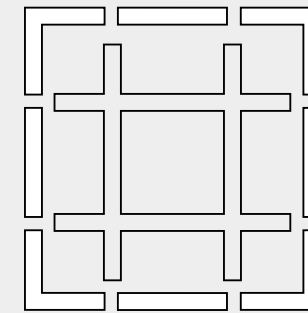
(pg 03)



02

Choose a grid spacing.

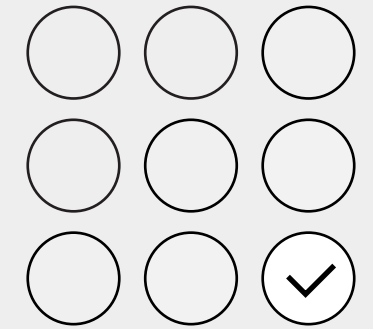
(pg 04)



03

Choose accesories.

(pg 05,06)



05

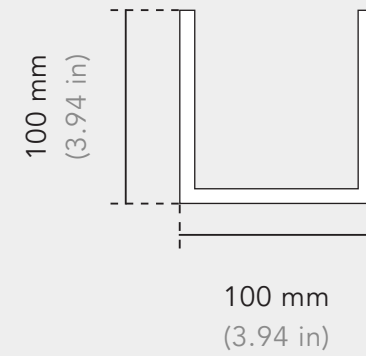
Choose a colour or texture. (pg 08,09)

Dimensions

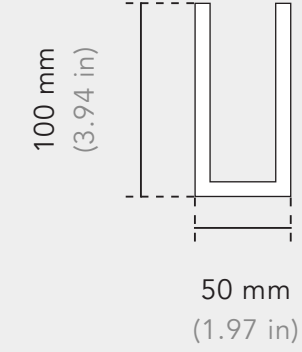
Grid Box Cloud comes in 2 standard designs.

Baffle Detail

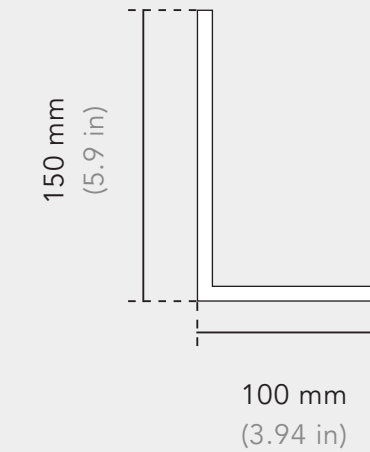
Baffle A



Baffle B

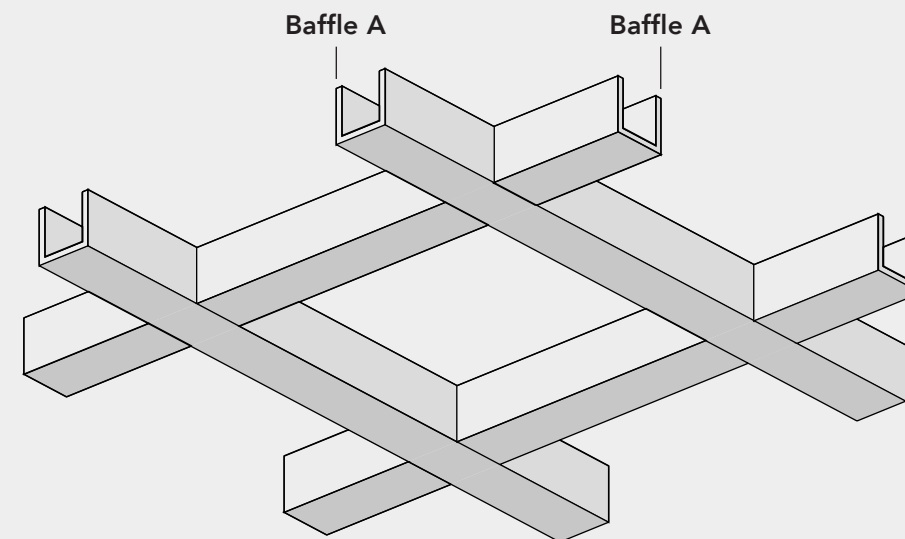


Baffle C



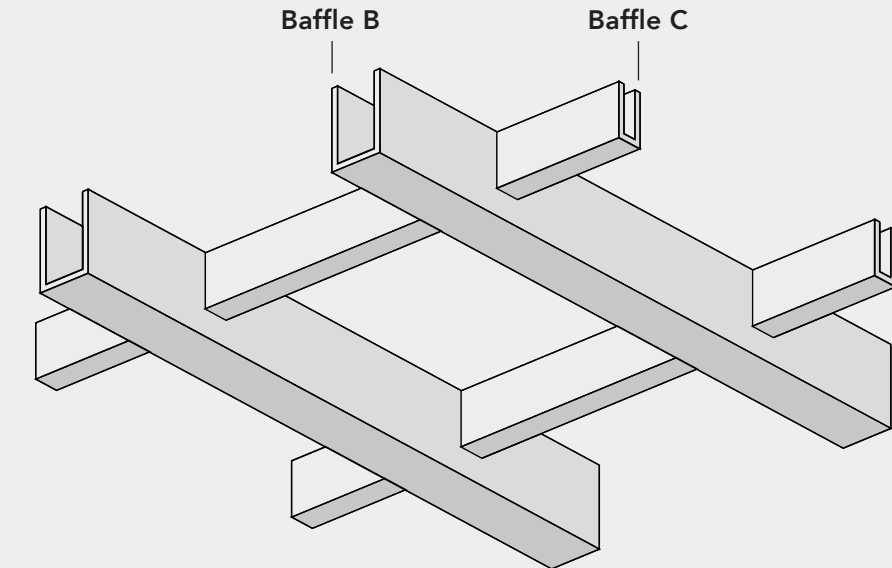
Grid Box - Level

Baffle A + Baffle A

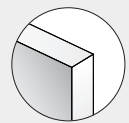


Grid Box - Stack

Baffle B + Baffle C



Edge Detail



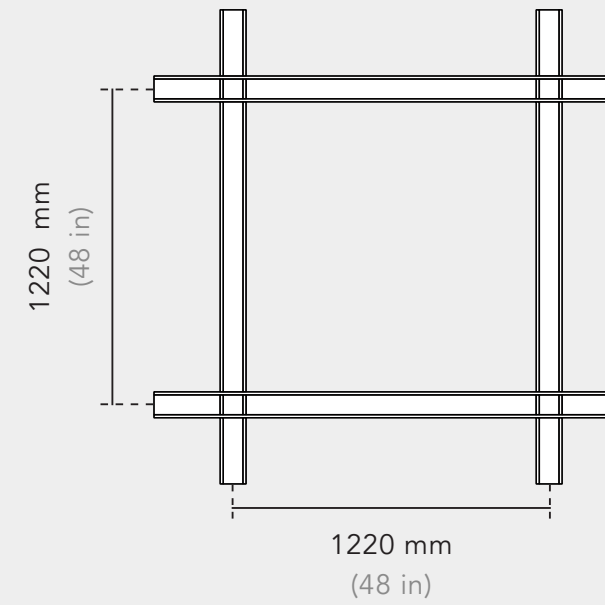
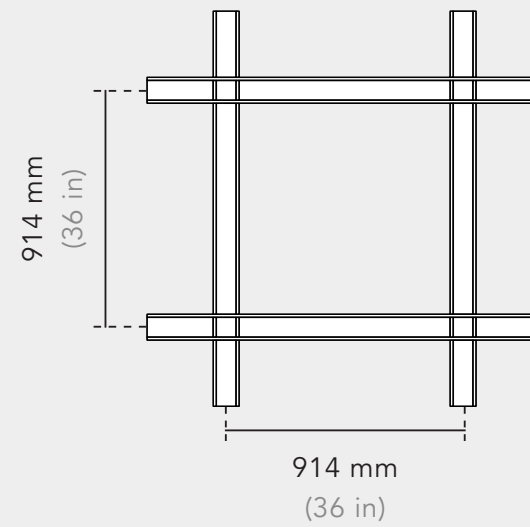
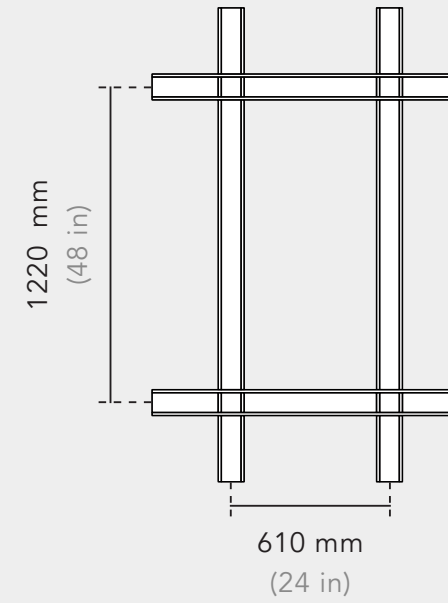
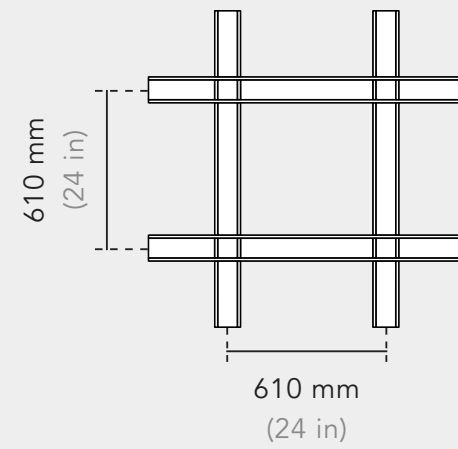
Box Edge

Customization

Mix and match baffle dimensions, or create your own to fit your space.

Grid Spacing

Choose from these standard spacing options.



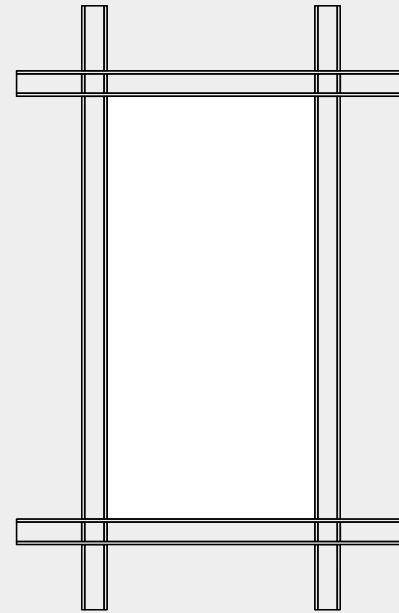
Customization

Custom spacing available.

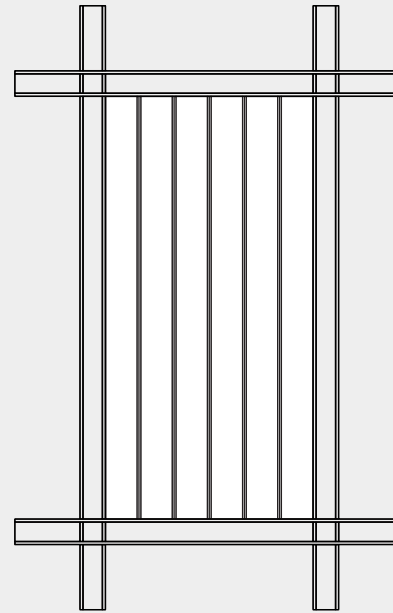
Optional Infill Panels

Fill up one or multiple openings in the cloud for a varied look.

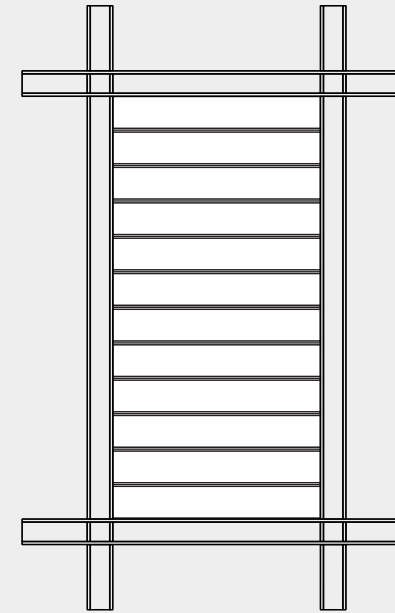
Plain Infill Panel



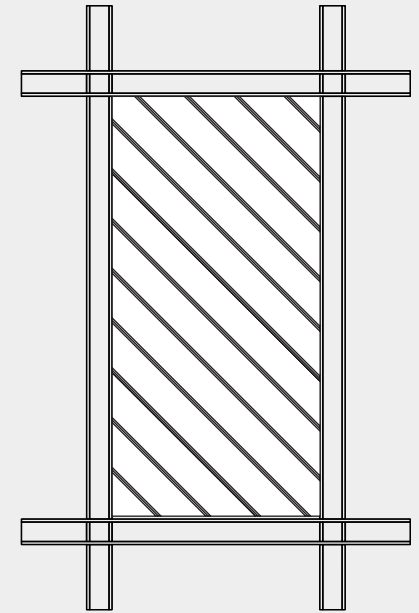
Stripes A Infill Panel



Stripes B infill Panel



Stripes C infill Panel



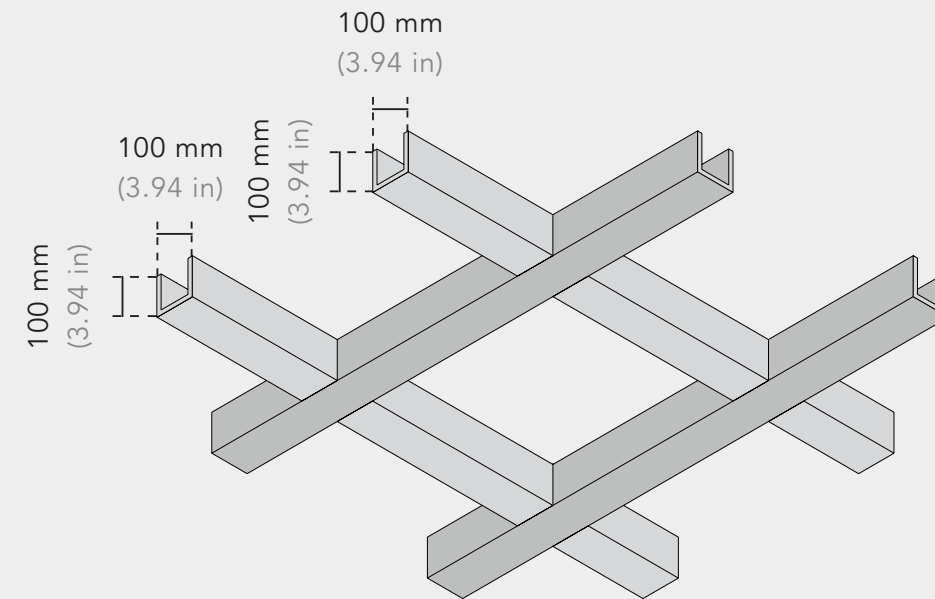
Customization

Ask us about creating your own custom pattern.

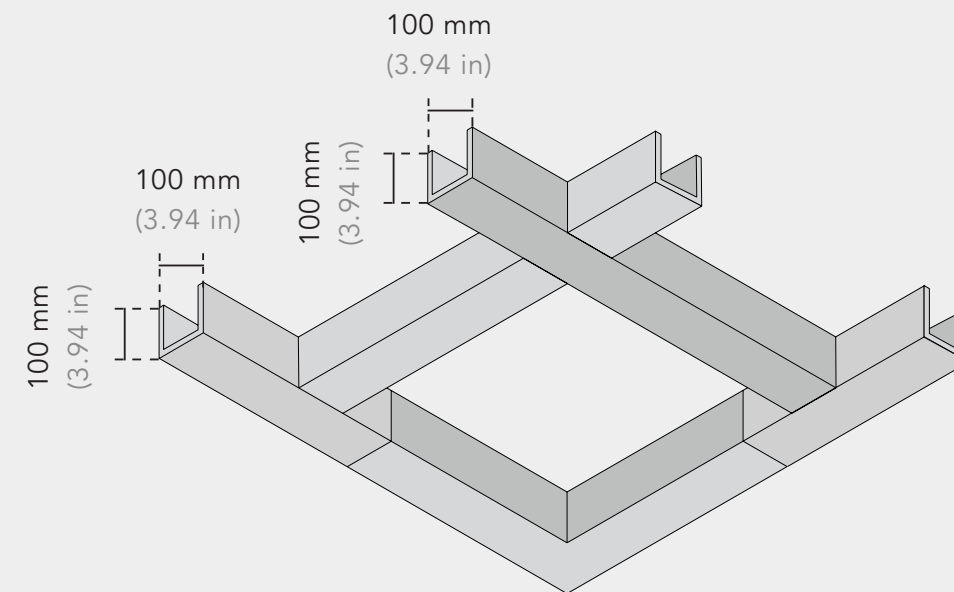
Optional Borders

Close off the edges of the cloud or leave it open. Borders typically have the same dimensions as one of the baffles.

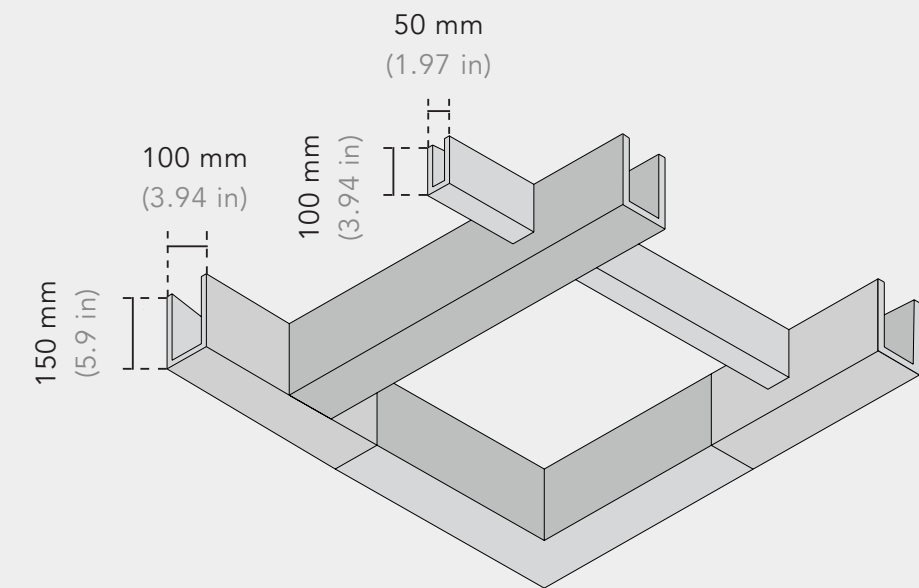
Grid Box Level with no border



Grid Box Level with border



Grid Box Stack with border



Configurations

Choose from a premade configuration here, or create your very own.

Configuration Elements

Config A

- Grid Box Level
- No border
- No infill panels

Config B

- Grid Box Stack
- Border
- Plain Infill Panels

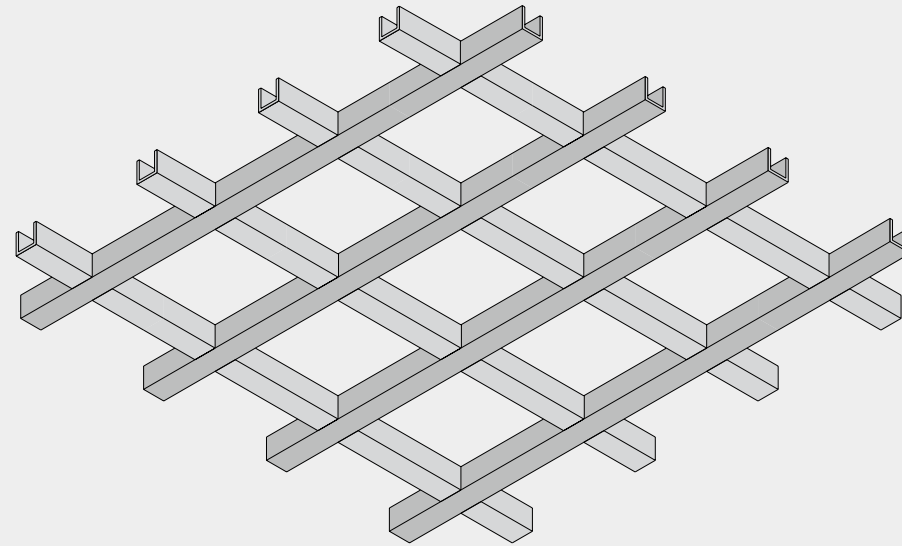
Config C

- Grid Box Level
- No Border
- Partially filled with Plain Infill Panels

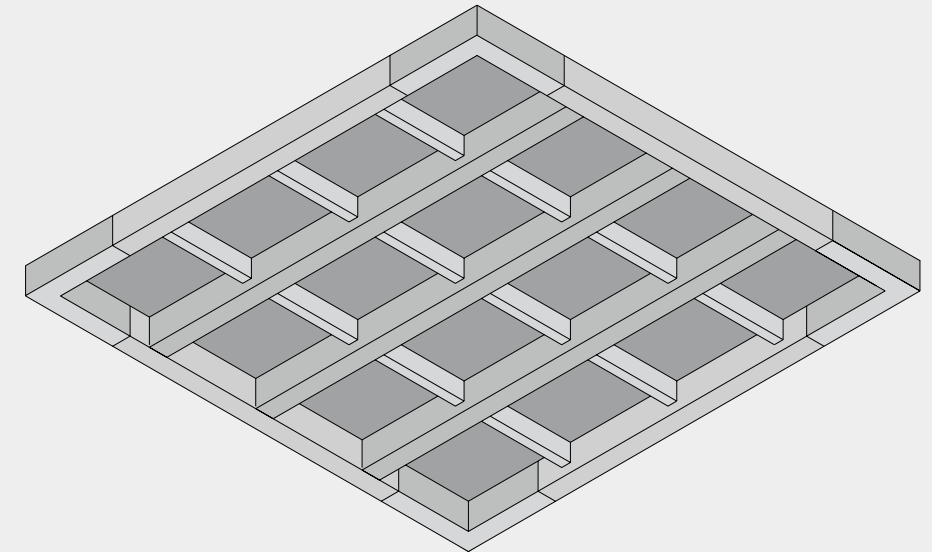
Config D

- Grid Box Stack
- Border
- Partially filled with Stripes Infill Panels

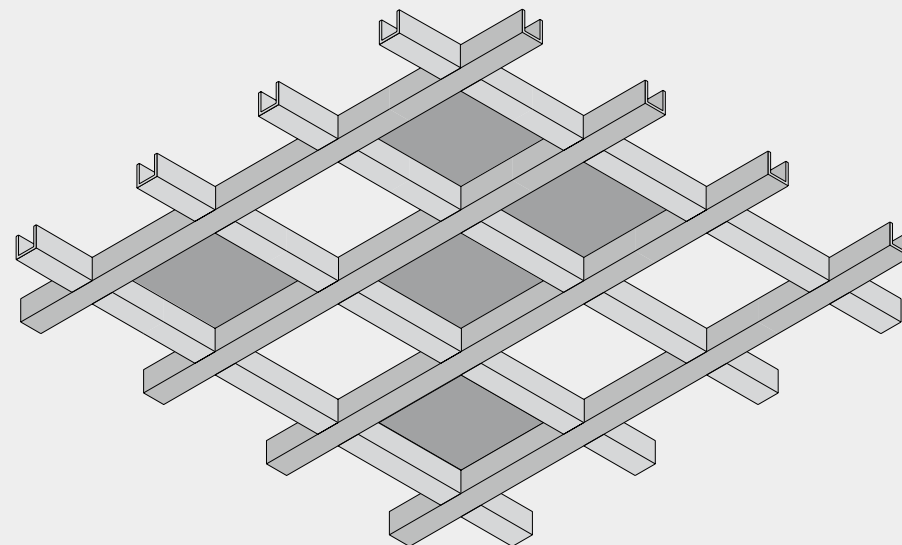
Config A



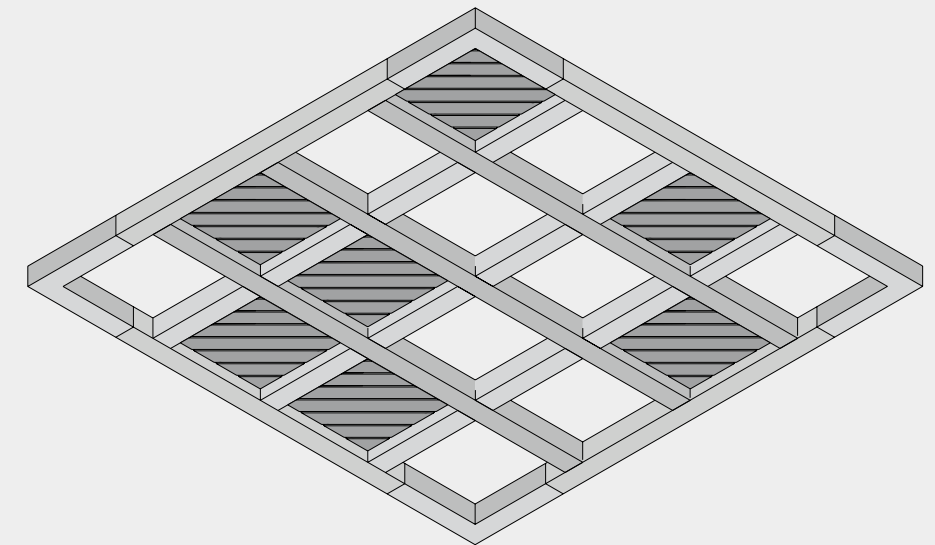
Config B



Config C



Config D



Standard Colours

Choose from any one of our standard colours.



Pure White
SP 07



Ivory
SP 77



Urban Grey
SP 79



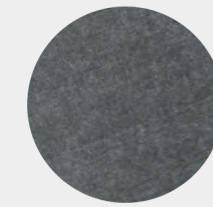
Pumice
SP 11



Warm Grey
SP 76



Cool Grey
SP 36



Mid Grey
SP 37



Graphite
SP 03



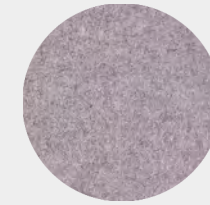
Beige
SP 04



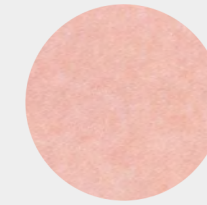
Sandstone
SP 12



Taupe Grey**
SP 90



Castlerock**
SP 80



Blush Pink*
SP 81



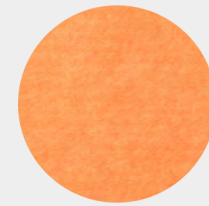
Wild Currant
SP 48



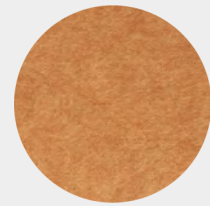
Plum
SP 72



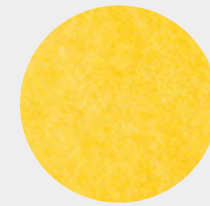
Red
SP 08



Orange
SP 46



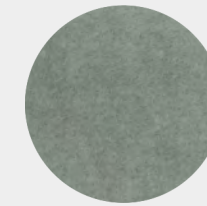
Yam
SP 28



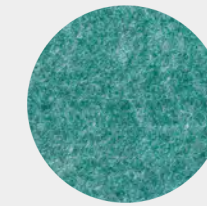
Sunflower
SP 05



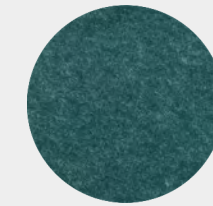
Chartreuse
SP 43



Desert Sage**
SP 78



Green*
SP 10



Peakcock**
SP 82



Forest Green
SP 17



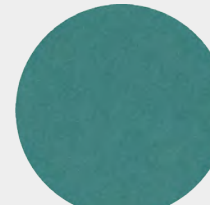
Mustard**
SP 87



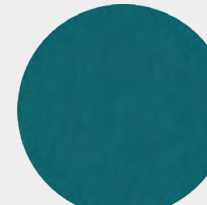
Olive**
SP 88



Moss**
SP 89



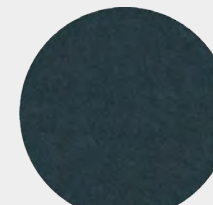
Lagoon**
SP 84



Azure**
SP 85



Ocean Green**
SP 86



Deep Sea Blue**
SP 83



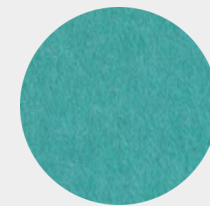
Black
SP 13



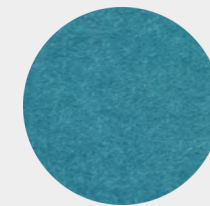
Krypton
SP 30



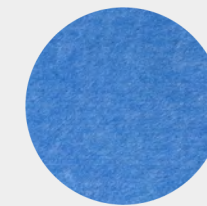
Pale Teal
SP 74



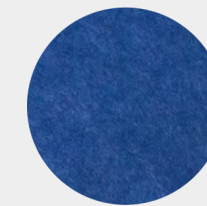
Aquamarine
SP 73



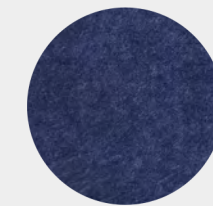
Dark Turquoise
SP 71



Sky Blue
SP 25



Navy
SP 01



Midnight Blue
SP 19



Purple
SP 50

Don't see something you love? Ask us about creating your own custom colour.

All colours available in 9,12,18, and 24 mm unless noted otherwise.

* Only available in 9mm and 18mm

** Only available in 12mm and 24mm

Impressio Print Options

Create a natural look and feel with printed textures.



White Oak



Silver Oak



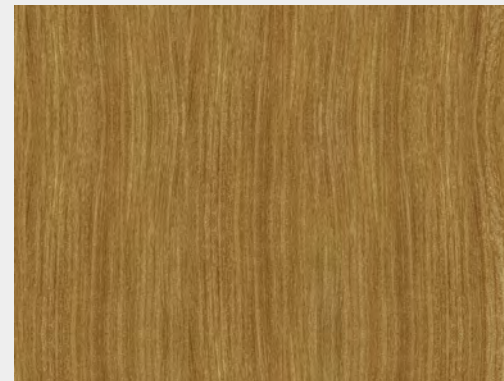
Greige Oak



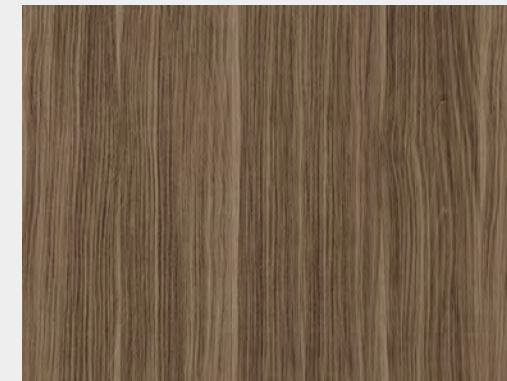
Ebony Oak



Cafe Oak



Golden Oak



Teak



Dark Walnut

Ask us about creating your own custom texture.

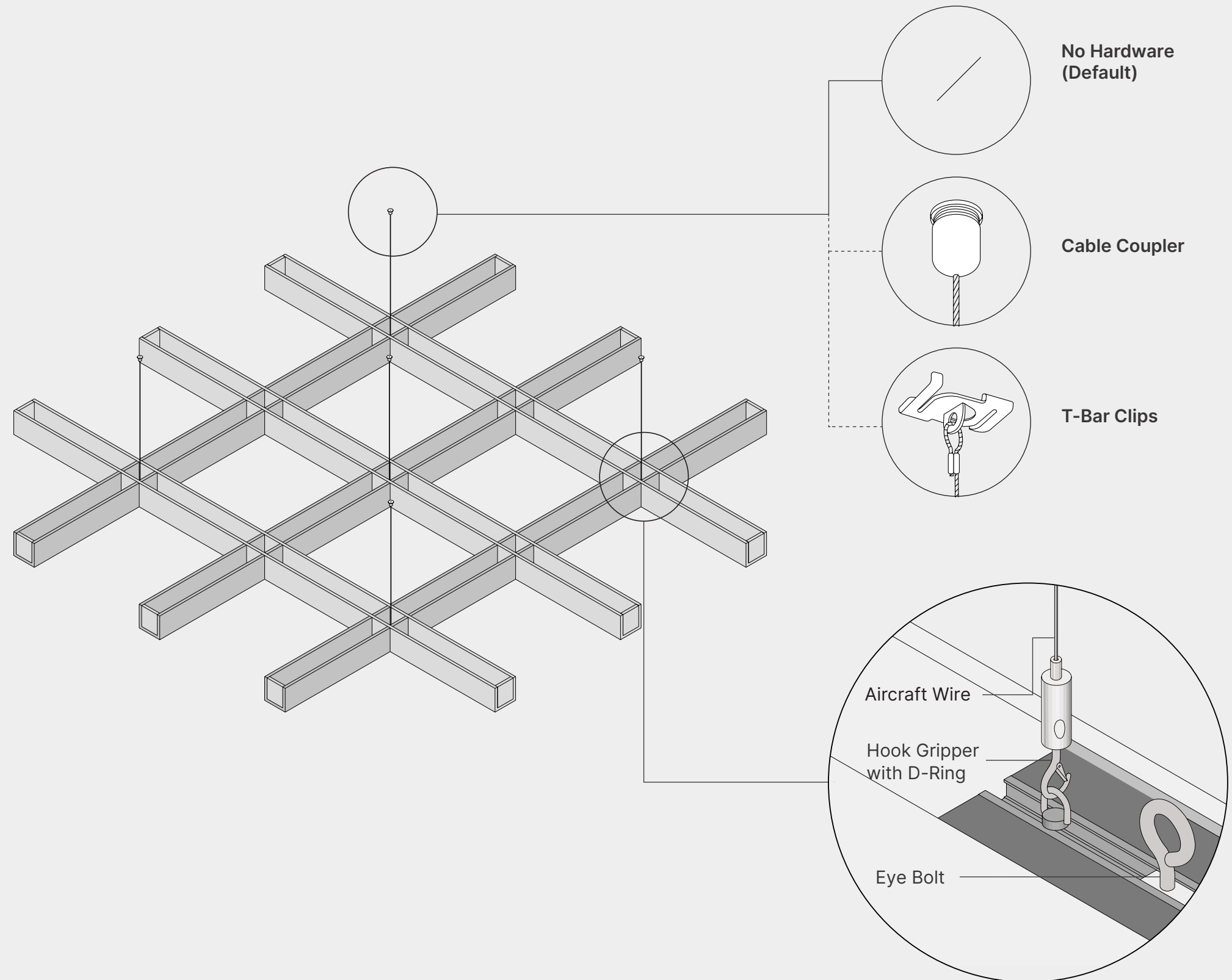
All colours available in 9,12,18, and 24 mm unless noted otherwise.

* Only available in 9mm and 18mm

** Only available in 12mm and 24mm

Installation & Hardware

This is an overview of the available installation methods. Check out our installation guide for more details.



Product Specifications

Grid Box Cloud

Composition

100% polyester fibre

VOC Emissions

CDPH (CA 01350)

Antimicrobial Testing

Mould & mildew resistant

Fire Rating

- ASTM E84 Class A
- CAN/ULC-S102.2-10

Sustainability

- 100% recyclable
- LBC Red List free
- Contributes to LEED certification
- Free of toxic substances and of off-gassing
- Made with ~60% recycled content from plastic water bottles

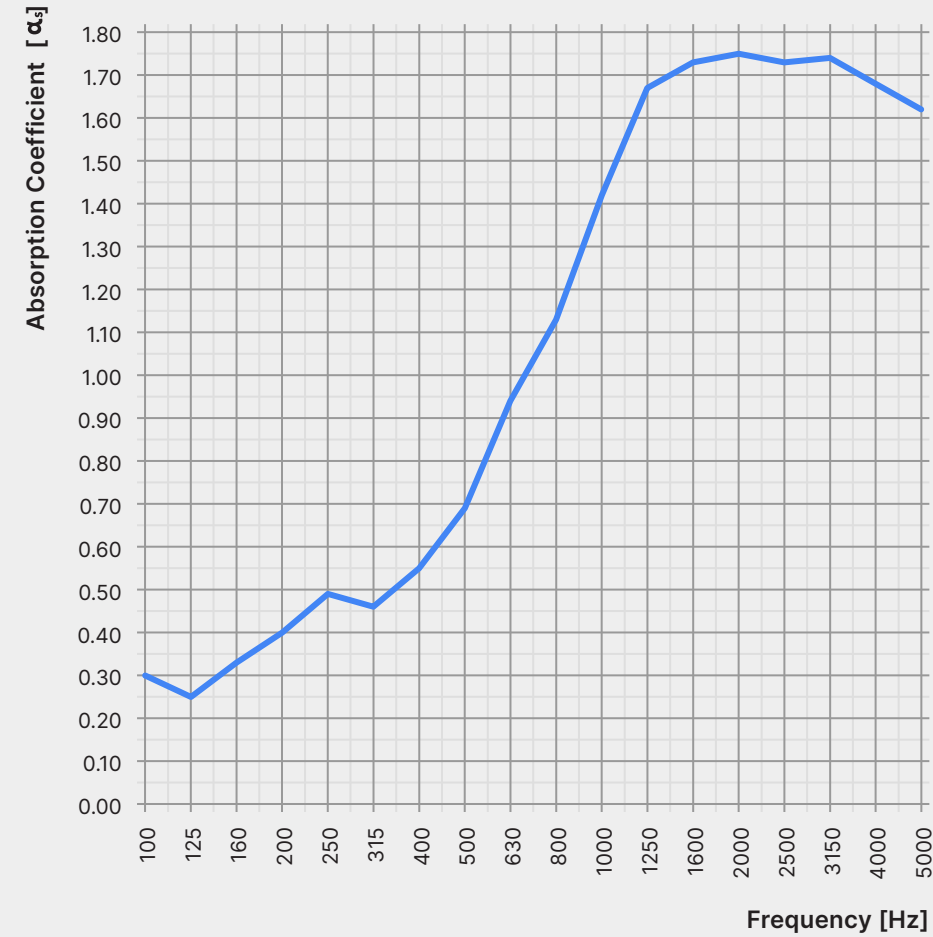
Colour & Texture Variations

The felting and dyeing process that forms the material contributes to its unique texture but also to variations in texture and colour from panel to panel. Products will be provided within an acceptable range of variation.



Sound Absorption Graph

The following values reflect the acoustic properties of the product as tested in accordance with ASTM C423-09a.



200	250	315	400	500	630	800	1000	1250	1600	2000	2500	NRC	SAA
0.40	0.49	0.46	0.55	0.69	0.94	1.13	1.42	1.67	1.73	1.75	1.73	1.10	1.08

Product Care

Handling & Storage

Handle products with care so as to avoid folding the polyester felt, chipping its edges or indenting its faces. Store products in their original containers in a well-ventilated area until the intended application environment is ready for installation. Allow products to acclimatize to environmental conditions. Lay them flat on their faces; do not stand them on their edges. Protect from moisture, heat, direct sunlight and the elements.

Warranty

AKUSTUS warrants the construction and finish of all our products to be free from defects in material and workmanship for a period of 1 year from the date of purchase.

Maintenance

Lightly brush or gently vacuum to remove dust from polyester felt. Clean with warm water and mild, non-toxic soap to remove spills. Test solution on an inconspicuous spot before applying to more visible areas. Blot with a dry cloth after applying the solution to avoid saturating the material. Avoid applying too much pressure when cleaning the products.

