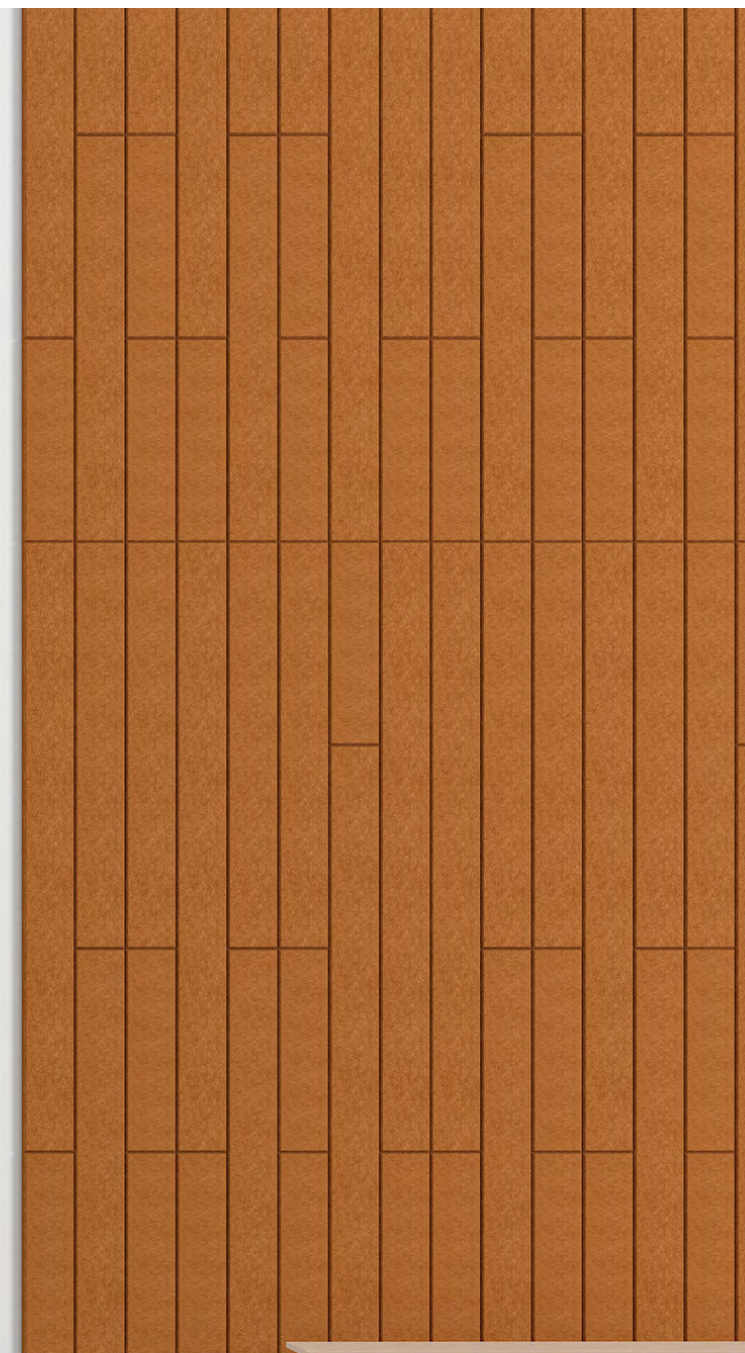
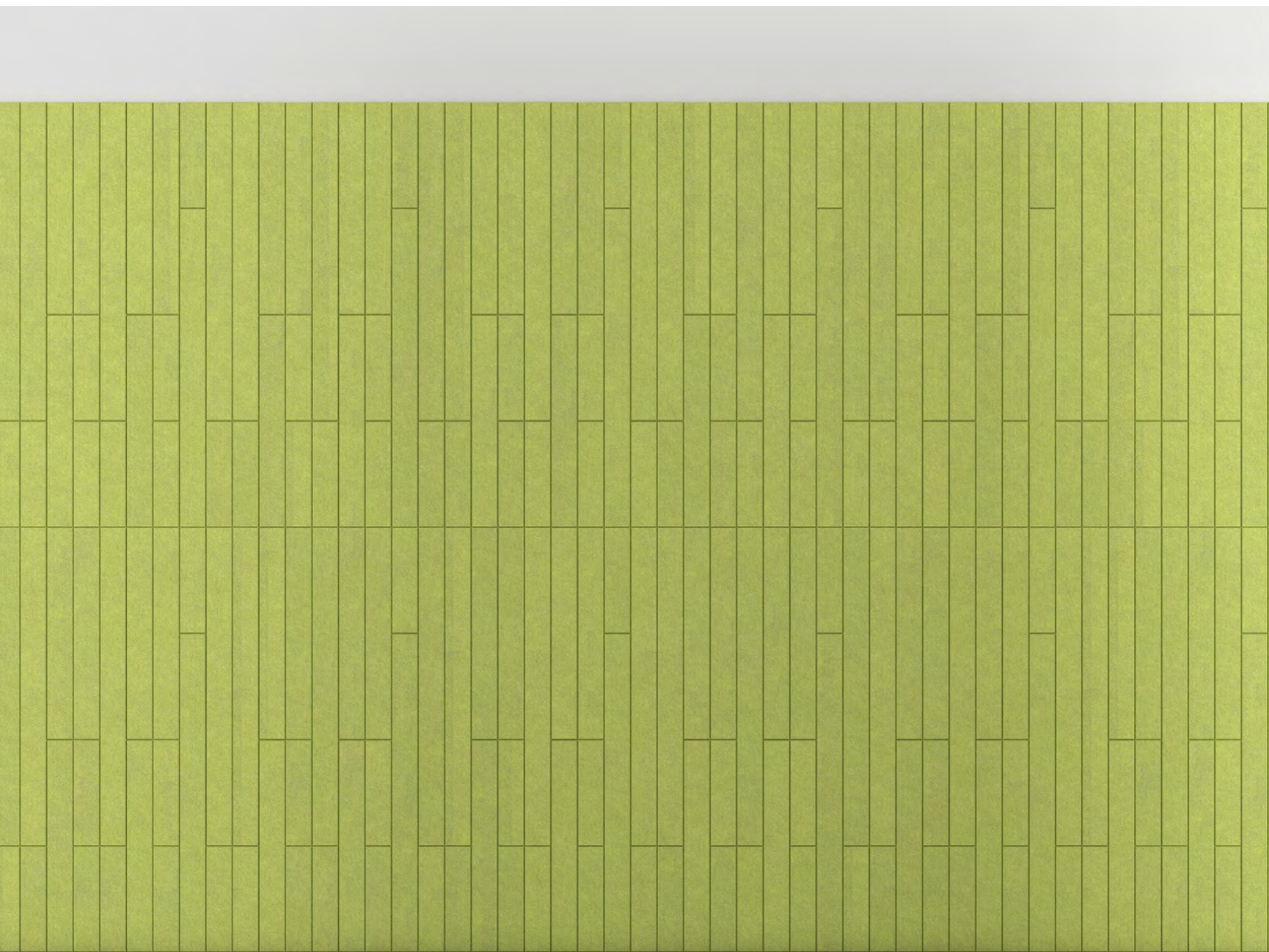


Stickwood Wall Panel

BY AKUSTUS DESIGNS





STW-WP-120-240

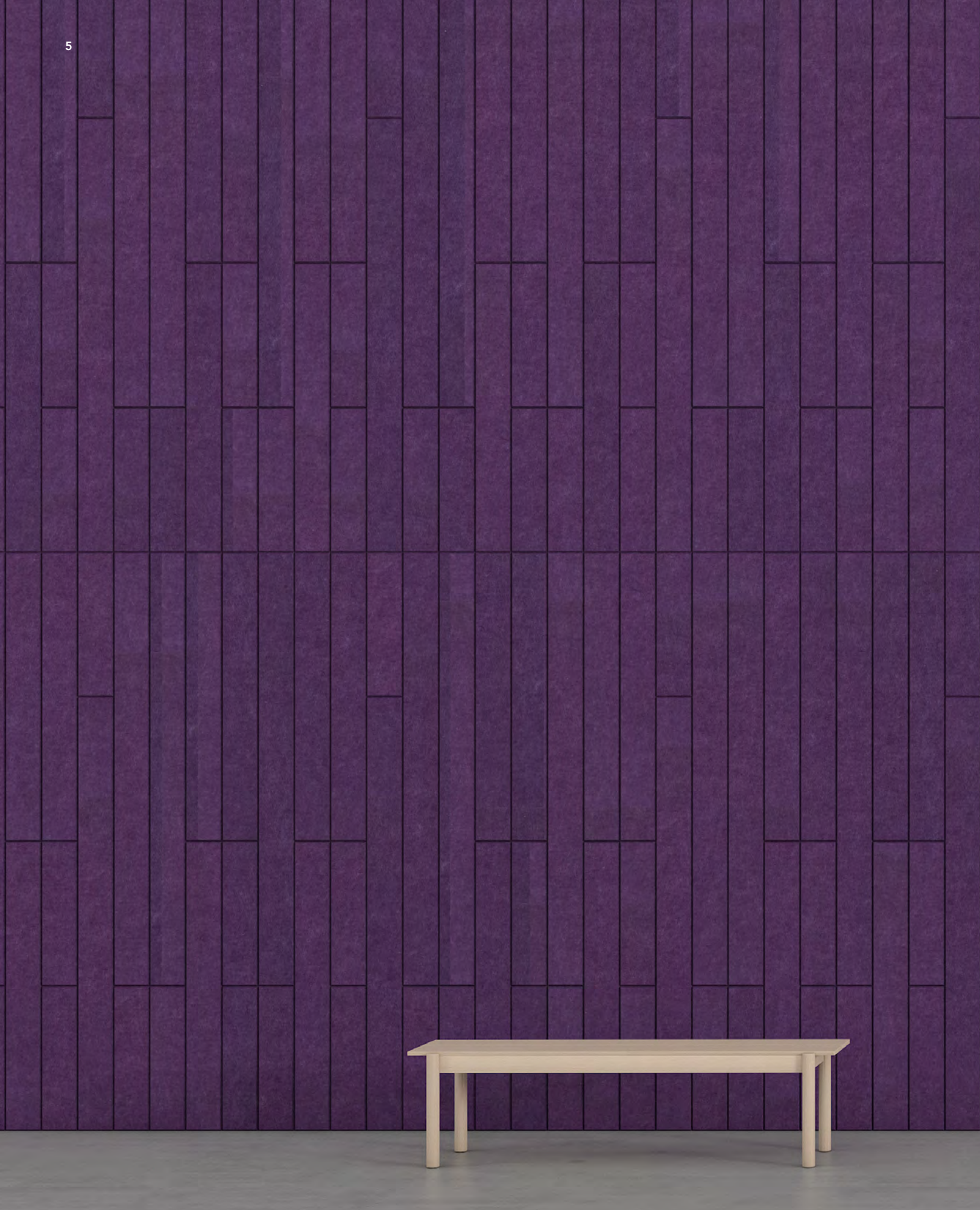
Like the trees and the woods it's inspired by, the **Stickwood Wall Panel** muffles sound and brings a sense of calm to a space. Mount a grove of them to the wall and transform a lounge or a worship space into a wooded sanctuary.



STW-WP-120-240

STICKWOOD WALL PANEL

STICKWOOD WALL PANEL

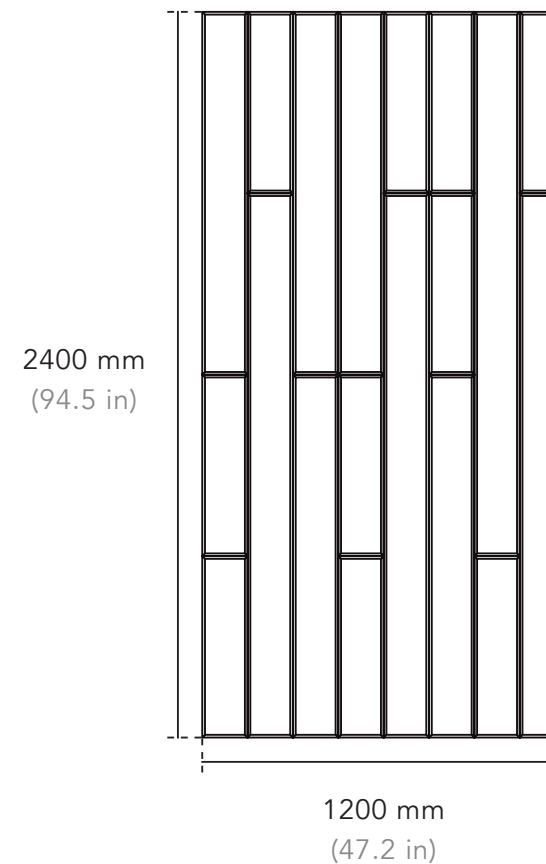


Dimensions

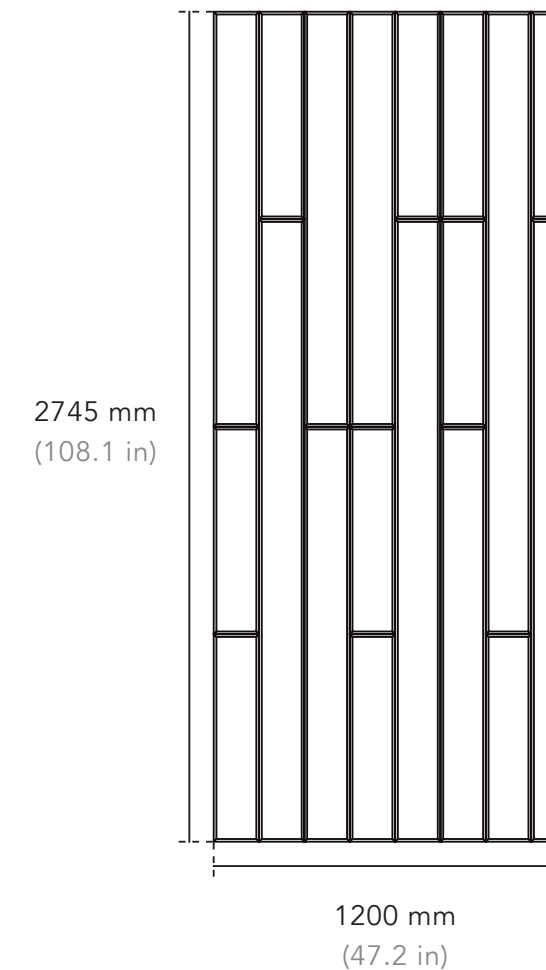
Available Thicknesses: 12, 18, 24 mm (0.5, 0.7, 0.9 in)

* Custom shape and size available.

STW-WP-120-240



STW-WP-120-274



Product Data

Product Code	Width x Height	Thickness	Weight
STW-WP-120-240	1200 x 2400 mm 47.2 x 94.5 in	12, 18, 24 mm 0.5, 0.7, 0.9 in	7.2, 11.5, 14.4 kg 15.9, 25.4, 31.7 lb
STW-WP-120-274	1200 x 2745 mm 47.2 x 108.1 in	12, 24 mm 0.5, 0.9 in	8.2, 16.5 kg 18.1, 36.4 lb

Specifications

Product Name	Stickwood Wall Panel
Composition	100% polyester fibre
Edge Detail	Chamfered edge
Fire Rating	<ul style="list-style-type: none"> • ASTM E84 Class A • CAN/ULC-S102.2-10
VOC Emissions	CDPH (CA 01350)
Antimicrobial Testing	Mould & mildew resistant
Sustainability	<ul style="list-style-type: none"> • 100% recyclable • LBC Red List free • Contributes to LEED certification • Free of toxic substances and of off-gassing • Made with ~60% recycled content from plastic water bottles

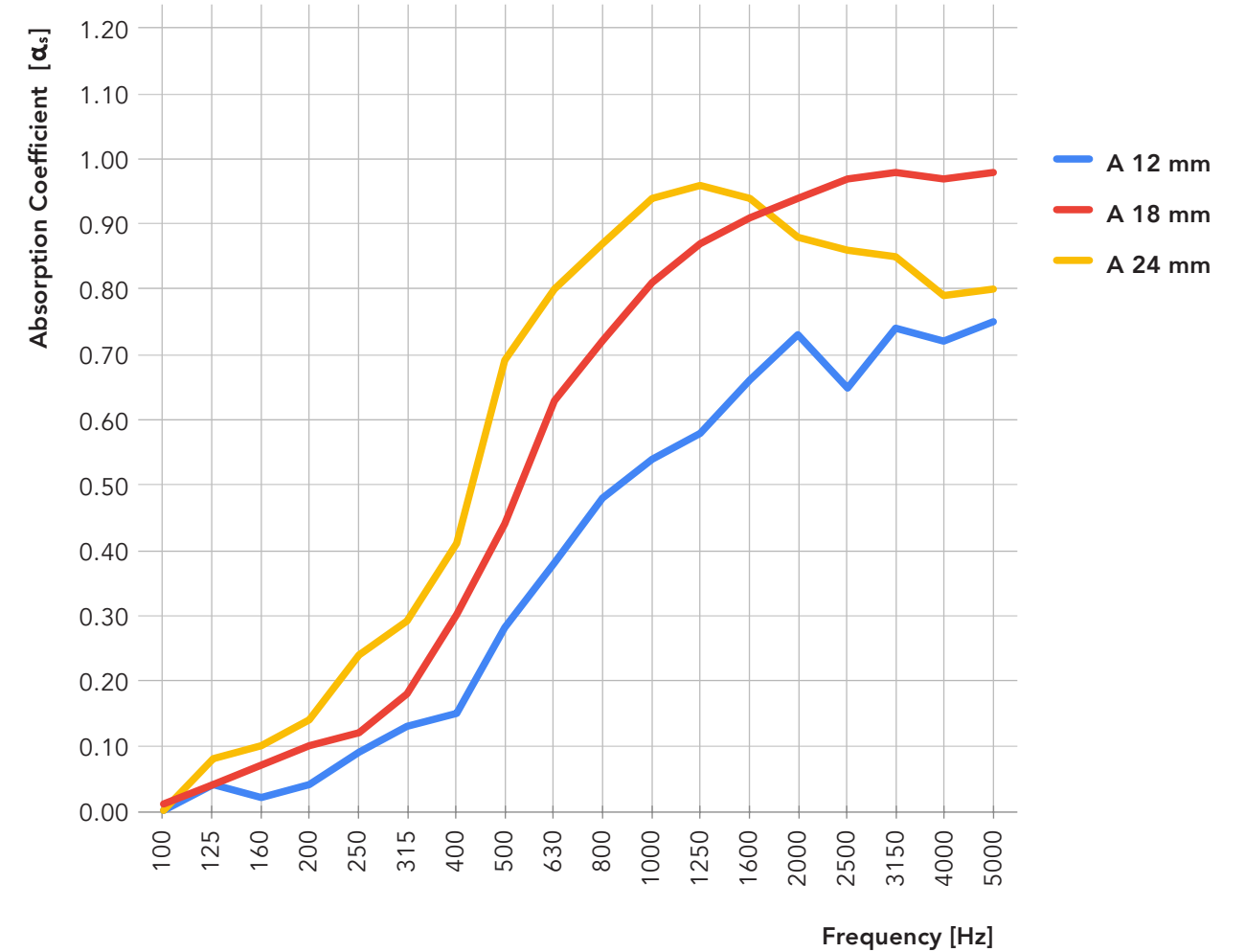
How to Specify	<ul style="list-style-type: none"> • Product Name & Code • Dimensions • Colour • Installation Method
-----------------------	--

Colour & Texture Variations The felting and dyeing process that forms the material contributes to its unique texture but also to variations in texture and colour from panel to panel. Products will be provided within an acceptable range of variation.



Acoustic Properties

The following values reflect the acoustic properties of the product as tested in accordance with ASTM C423-09a using Type A mounting.

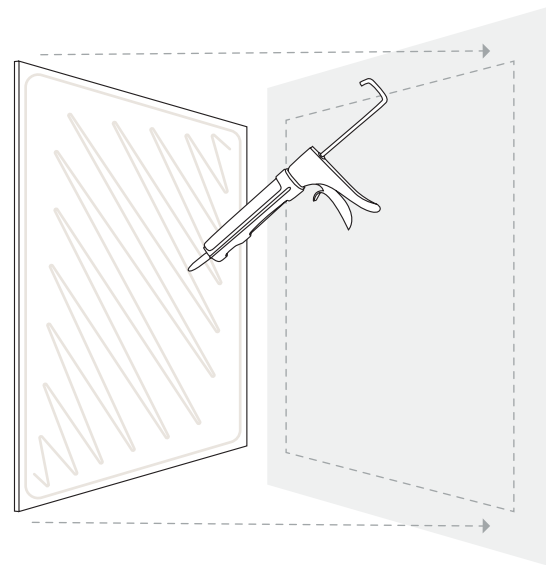
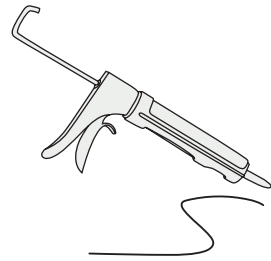


	NRC	SAA	200	250	315	400	500	630	800	1000	1250	1600	2000	2500
A 12 mm	0.40	0.39	0.04	0.09	0.13	0.15	0.28	0.38	0.48	0.54	0.58	0.66	0.73	0.65
A 18 mm	0.60	0.58	0.10	0.12	0.18	0.30	0.44	0.63	0.72	0.81	0.87	0.91	0.94	0.97
A 24 mm	0.70	0.67	0.14	0.24	0.29	0.41	0.69	0.80	0.87	0.94	0.96	0.94	0.88	0.86

Installation

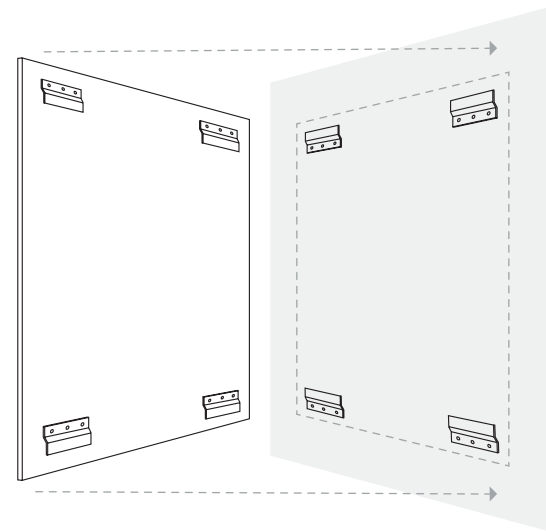
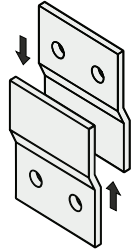
Specify one of the following options at the time of ordering.

Construction Adhesive

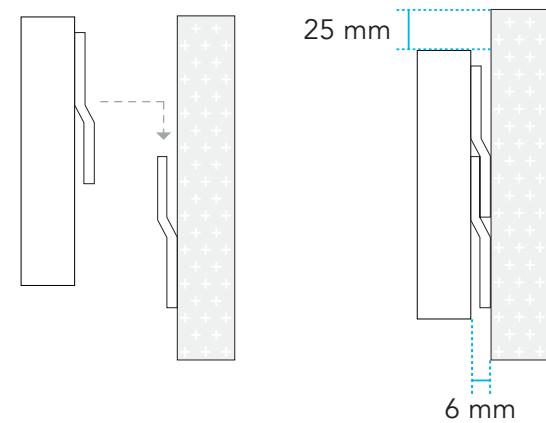


- By others
- Recommendation
- Liquid Nails Heavy Duty (Low VOC) LN-903
- Alternatives
- LePage PL Premium
 - LePage PL Premium Max
 - LePage No More Nails Heavy Duty
 - LePage No More Nails Ultimate Crystal Clear
 - (At your discretion, other construction adhesive may be used but should be tested for effectiveness)

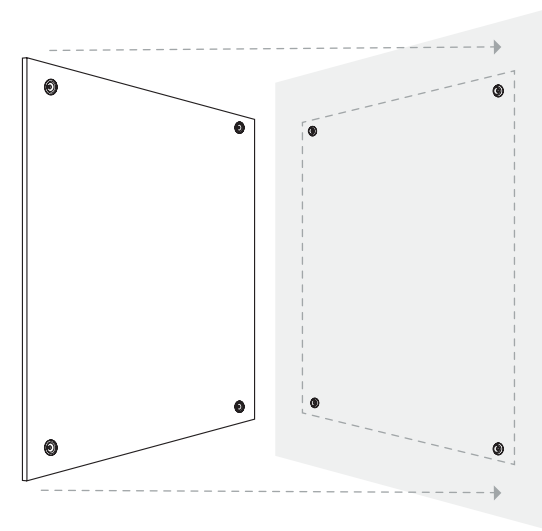
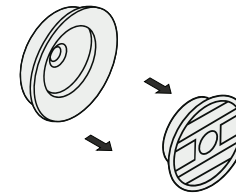
Z-clips (KT-ZCLP-00)



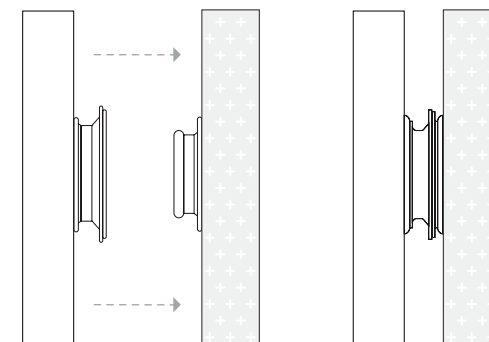
- 6 mm (1/4 in) projection from the wall
- 25 mm (1 in) clearance required above the panel



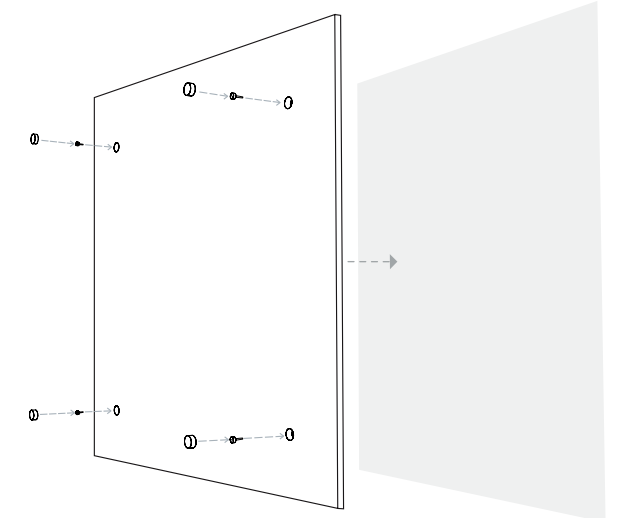
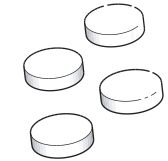
Push Mounts (KT-PUSH-00)



- Panels come with mounts pre-installed but receiving mount must be installed on-site



Concealed Mechanical Fasteners (KT-CCAP-00)



- Concealer Caps
- Provided in matching colour & material as panel
- Mechanical Fasteners
- By others
 - Optional: construction adhesive can be applied for more robust & permanent installation

Product Care

Handling & Storage

Handle products with care so as to avoid folding the polyester felt, chipping its edges or indenting its faces. Store products in their original containers in a well-ventilated area until the intended application environment is ready for installation. Allow products to acclimatize to environmental conditions. Lay them flat on their faces; do not stand them on their edges. Protect from moisture, heat, direct sunlight and the elements.

Maintenance

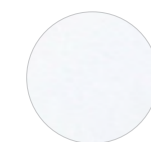
Lightly brush or gently vacuum to remove dust from polyester felt. Clean with warm water and mild, non-toxic soap to remove spills. Test solution on an inconspicuous spot before applying to more visible areas. Blot with a dry cloth after applying the solution to avoid saturating the material. Avoid applying too much pressure when cleaning the products.

Warranty

AKUSTUS warrants the construction and finish of all our products to be free from defects in material and workmanship for a period of 1 year from the date of purchase.

Colours

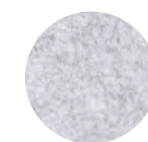
* 12/24 mm only



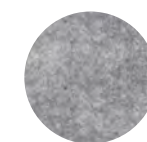
Pure White
SP 07



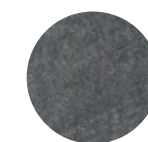
Urban Grey
SP 79



Pumice
SP 11



Cool Grey
SP 36



Mid Grey
SP 37



Black
SP 13



Ivory
SP 77



Beige
SP 04



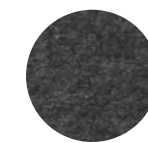
Sandstone
SP 12



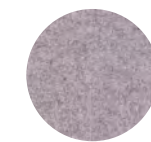
Taupe Grey *
SP 90



Warm Grey
SP 76



Graphite
SP 03



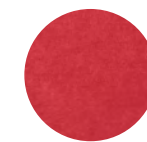
Castlerock *
SP 80



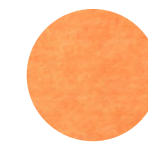
Blush Pink
SP 81



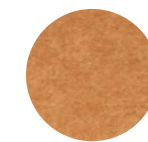
Plum
SP 72



Red
SP 08



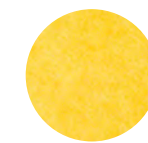
Orange
SP 46



Yam
SP 28



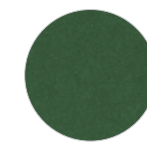
Mustard *
SP 87



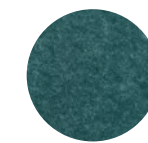
Sunflower
SP 05



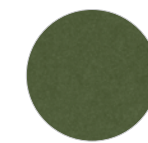
Chartreuse
SP 43



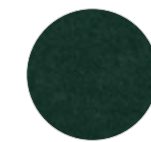
Moss *
SP 89



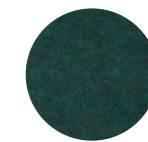
Peacock *
SP 82



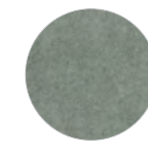
Olive *
SP 88



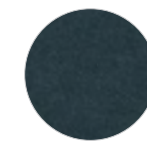
Ocean Green *
SP 86



Forest Green
SP 17



Desert Sage
SP 78



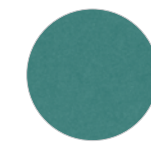
Deep Sea Blue *
SP 83



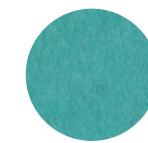
Krypton
SP 30



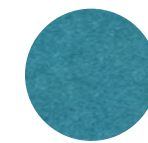
Pale Teal
SP 74



Lagoon *
SP 84



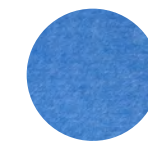
Aquamarine
SP 73



Dark Turquoise
SP 71



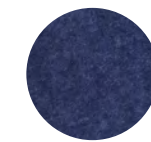
Azure *
SP 85



Sky Blue
SP 25



Navy
SP 01



Midnight Blue
SP 19



Purple
SP 50