



Trellis Clouds

BY AKUSTUS DESIGNS





TRL-CL-T-128-128 & TRL-CL-T-128-241

No matter what shape the **Trellis Cloud** comes in, its ability to absorb sound and its characteristic grid stay the same. Designed to resemble the trellis structures that adorn gardens and backyards, Trellis Clouds nurture the same sense of peace and calm in a laid-back cafe or in a bustling office. Suspend them from the ceiling and watch them work their magic.

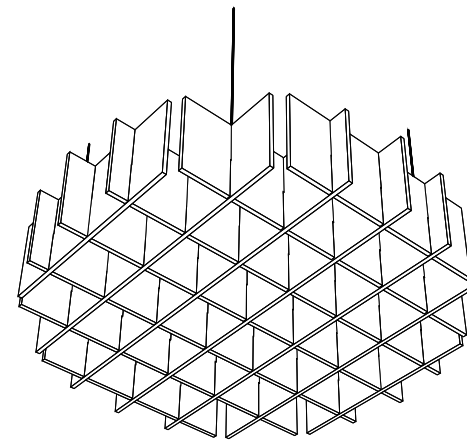
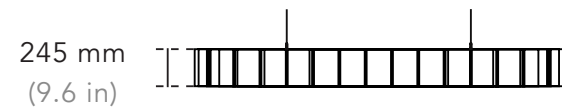
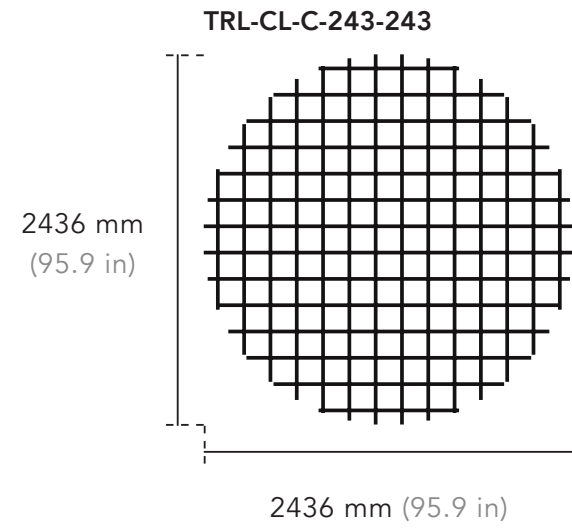
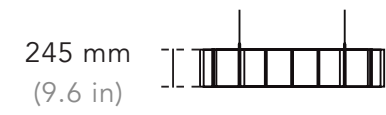
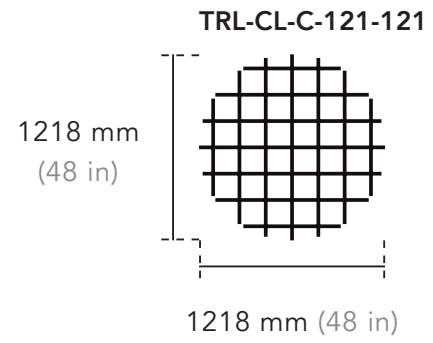


TRL-CL-DB-120-120 & TRL-CL-DA-120-120

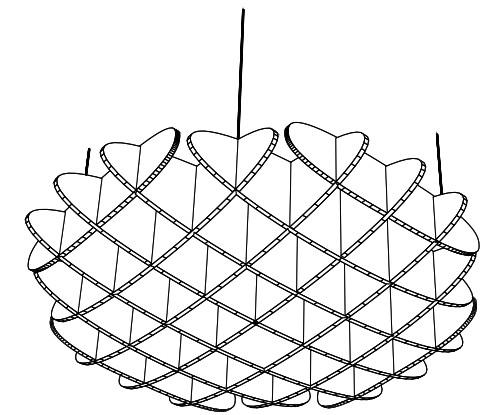
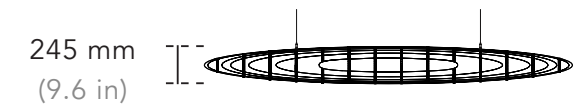
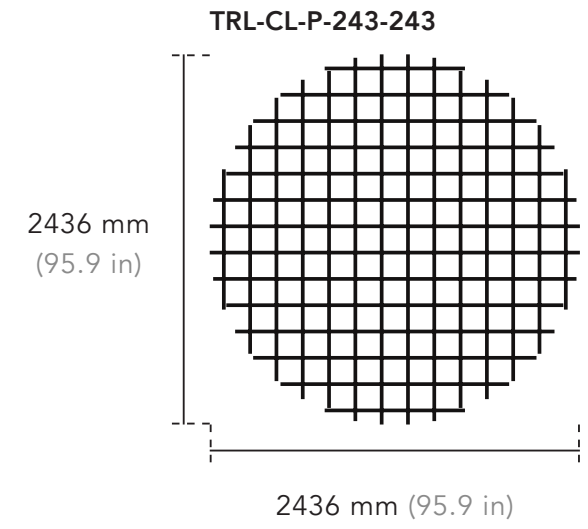
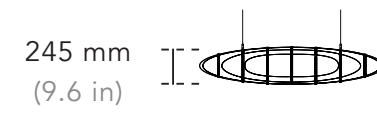
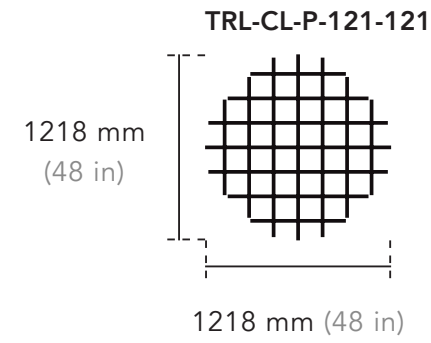
Dimensions

* Custom shape and size available.

Trellis Circle



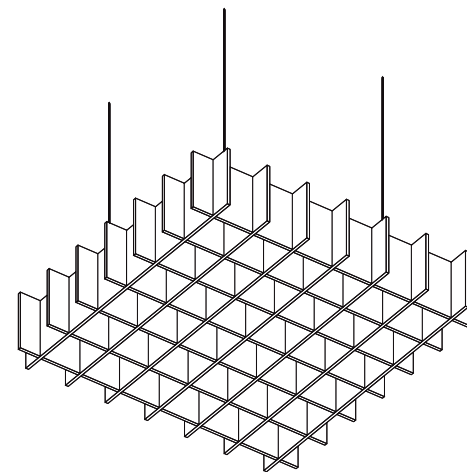
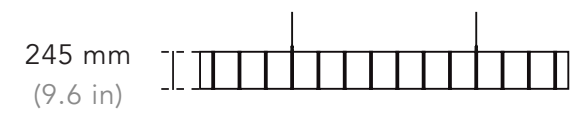
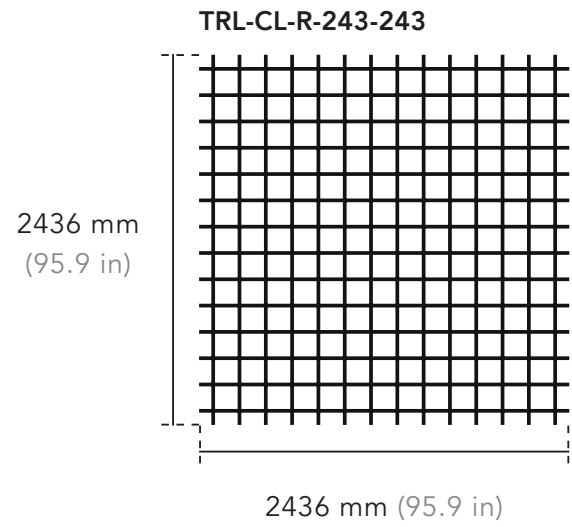
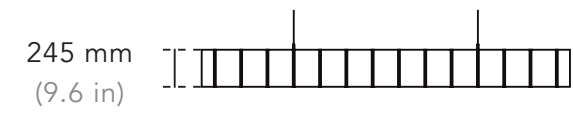
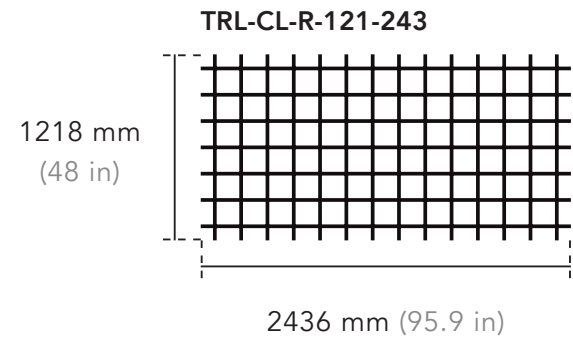
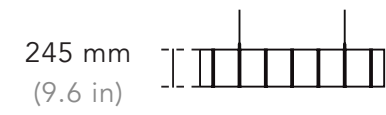
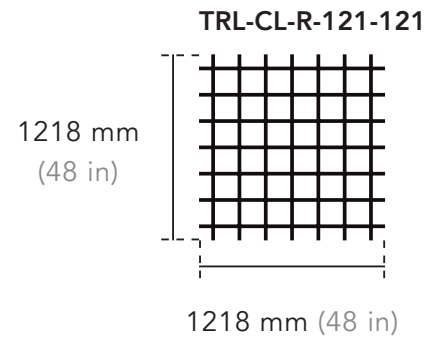
Trellis Pod



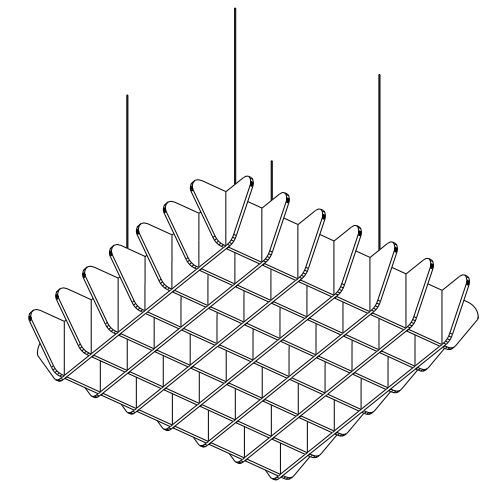
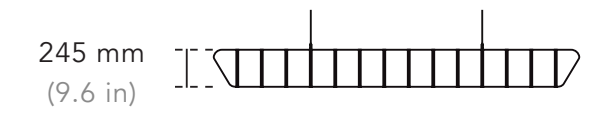
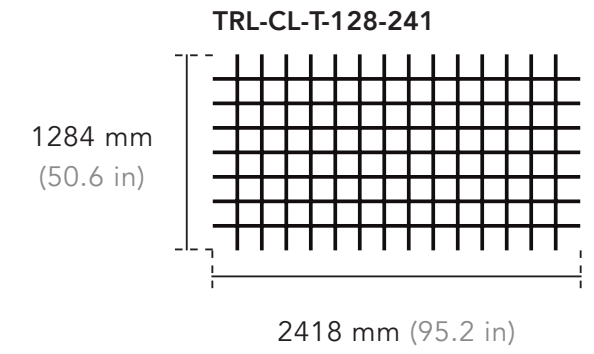
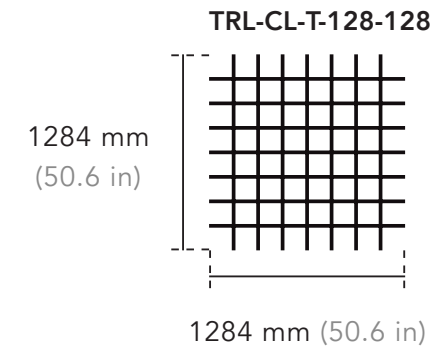
Dimensions

* Custom shape and size available.

Trellis Rectangle



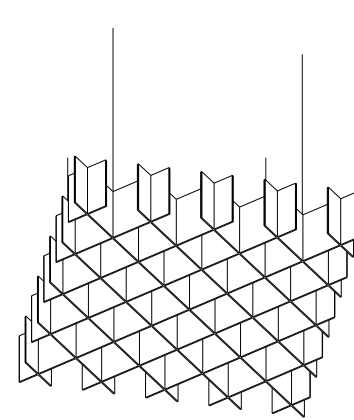
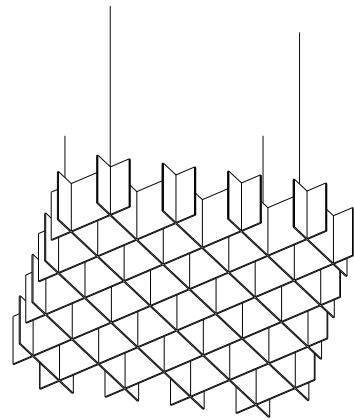
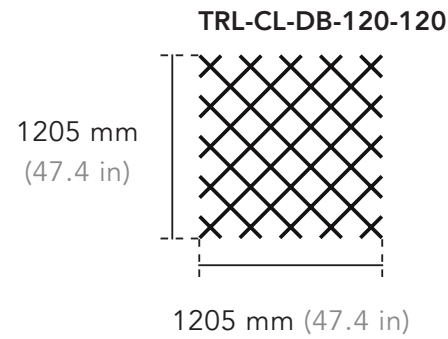
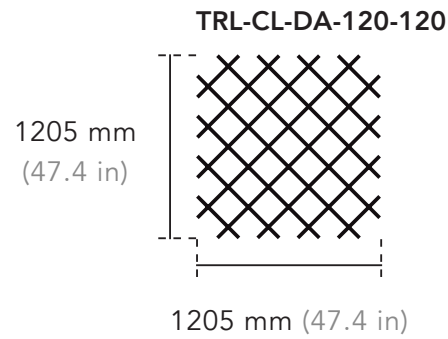
Trellis Tapered



Dimensions

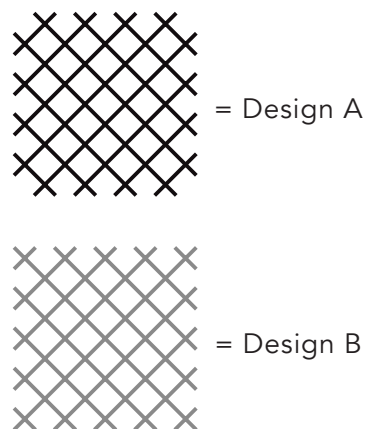
* Custom shape and size available.

Trellis Diagonal



Configuration

* Trellis Diagonal designs A and B combine to form a repeatable pattern.



Product Data

Product Code	Width x Length	Height	Weight
TRL-CL-C-121-121 Trellis Circle	1218 x 1218 mm 48 x 48 in	245 mm 9.6 in	8.4 kg 18.5 lb
TRL-CL-C-243-243 Trellis Circle	2436 x 2436 mm 95.9 x 95.9 in	245 mm 9.6 in	33 kg 72.8 lb
TRL-CL-DA-120-120 Diagonal	1205 x 1205 mm 47.4 x 47.4 in	245 mm 9.6 in	9.2 kg 20.3 lb
TRL-CL-DB-120-120 Diagonal	1205 x 1205 mm 47.4 x 47.4 in	245 mm 9.6 in	9.4 kg 20.7 lb
TRL-CL-P-121-121 Pod	1218 x 1218 mm 48 x 48 in	245 mm 9.6 in	5.7 kg 12.6 lb
TRL-CL-P-243-243 Pod	2436 x 2436 mm 95.9 x 95.9 in	245 mm 9.6 in	22.2 kg 48.9 lb
TRL-CL-R-121-121 Rectangle	1218 x 1218 mm 48 x 48 in	245 mm 9.6 in	10.4 kg 22.9 lb
TRL-CL-R-121-243 Rectangle	1218 x 2436 mm 48 x 95.9 in	245 mm 9.6 in	20.9 kg 46.1 lb
TRL-CL-R-243-243 Rectangle	2436 x 2436 mm 95.9 x 95.9 in	245 mm 9.6 in	41.8 kg 92.2 lb
TRL-CL-T-128-128 Tapered	1284 x 1284 mm 50.6 x 50.6 in	245 mm 9.6 in	11 kg 24.3 lb
TRL-CL-T-128-241 Tapered	1284 x 2418 mm 50.6 x 95.2 in	245 mm 9.6 in	21.4 kg 47.2 lb

Specifications

Product Name	Trellis Clouds
Composition	100% polyester fibre
Edge Detail	Square edge
Fire Rating	<ul style="list-style-type: none"> • ASTM E84 Class A • CAN/ULC-S102.2-10
VOC Emissions	CDPH (CA 01350)
Antimicrobial Testing	Mould & mildew resistant
Sustainability	<ul style="list-style-type: none"> • 100% recyclable • LBC Red List free • Contributes to LEED certification • Free of toxic substances and of off-gassing • Made with ~60% recycled content from plastic water bottles

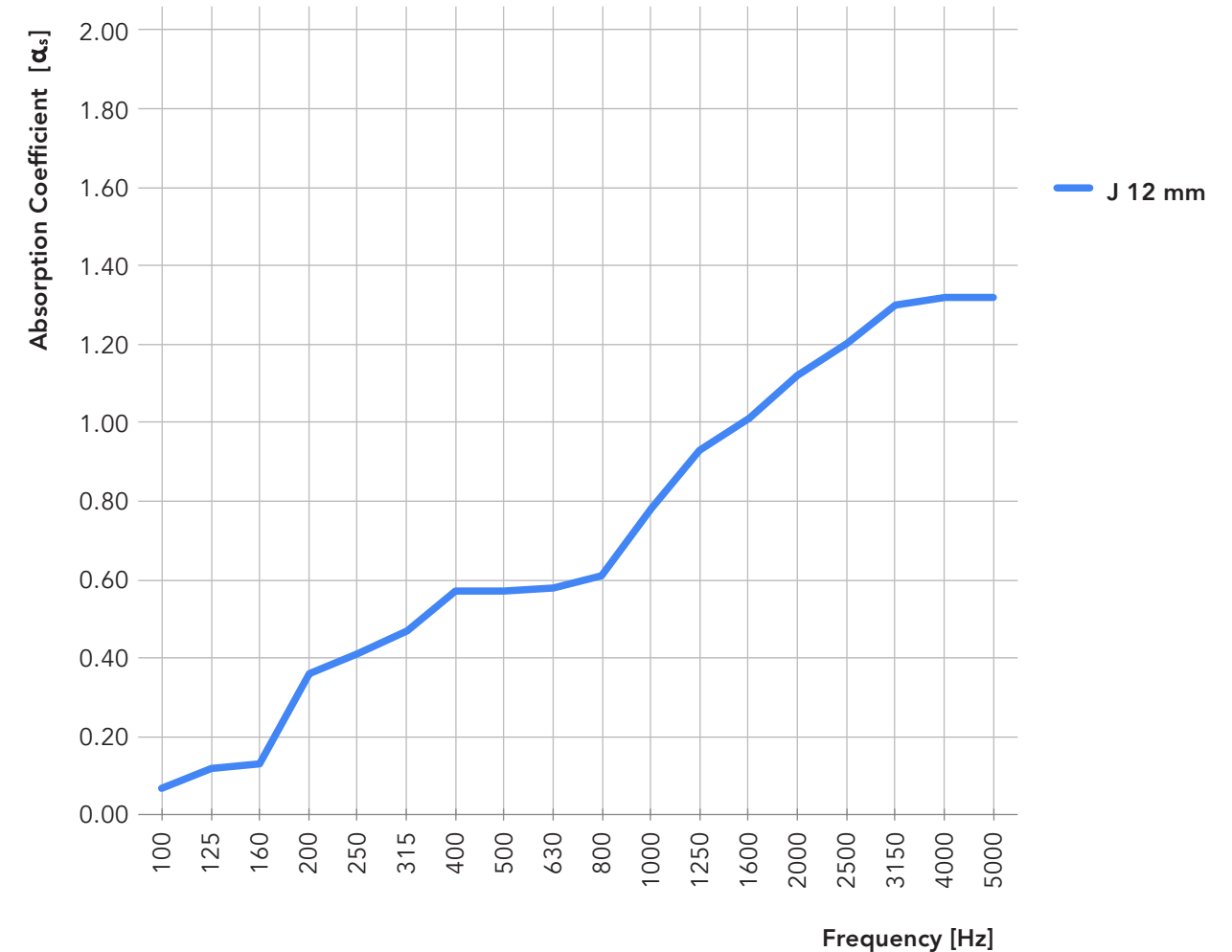
How to Specify	<ul style="list-style-type: none"> • Product Name & Code • Dimensions • Colour • Installation Method
-----------------------	--

Colour & Texture Variations The felting and dyeing process that forms the material contributes to its unique texture but also to variations in texture and colour from panel to panel. Products will be provided within an acceptable range of variation.



Acoustic Properties

The following values reflect the acoustic properties of the product as tested in accordance with ASTM C423-09a using Type J mounting.

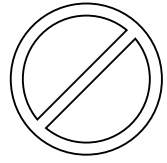


	NRC	SAA	200	250	315	400	500	630	800	1000	1250	1600	2000	2500
J 12 mm	0.70	0.72	0.36	0.41	0.47	0.57	0.57	0.58	0.61	0.78	0.93	1.01	1.12	1.20

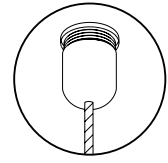
Installation - Twin Panel Clamp Kit (KT-TWCL-00)

Specify optional ceiling hardware at the time of ordering.

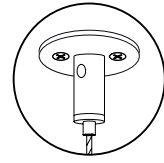
Ceiling Hardware Options



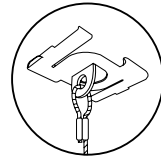
No Hardware
(default)



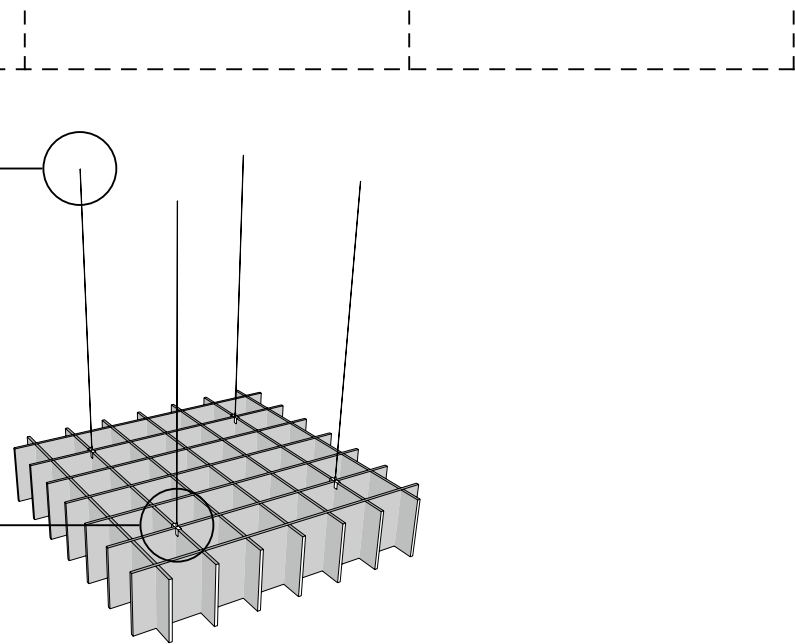
Cable Coupler
(KT-CCPL-00)



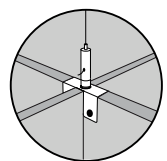
Adjustable Cable Gripper
(KT-CGRP-00)



T-bar Clips
(KT-TCLP-00)



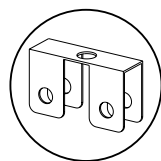
Product Hardware



Twin Panel Clamp with
Adjustable Cable Gripper

- Standard silver metal finish

Accessory Hardware Option



Twin Panel Clamp
(HW-TWCL-00)

- Connects multiple clouds

Product Care

Handling & Storage

Handle products with care so as to avoid folding the polyester felt, chipping its edges or indenting its faces. Store products in their original containers in a well-ventilated area until the intended application environment is ready for installation. Allow products to acclimatize to environmental conditions. Lay them flat on their faces; do not stand them on their edges. Protect from moisture, heat, direct sunlight and the elements.

Maintenance

Lightly brush or gently vacuum to remove dust from polyester felt. Clean with warm water and mild, non-toxic soap to remove spills. Test solution on an inconspicuous spot before applying to more visible areas. Blot with a dry cloth after applying the solution to avoid saturating the material. Avoid applying too much pressure when cleaning the products.

Warranty

AKUSTUS warrants the construction and finish of all our products to be free from defects in material and workmanship for a period of 1 year from the date of purchase.



Colours

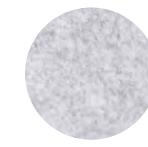
* 12/24 mm only



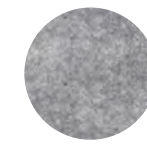
Pure White
SP 07



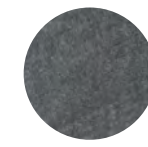
Urban Grey
SP 79



Pumice
SP 11



Cool Grey
SP 36



Mid Grey
SP 37



Black
SP 13



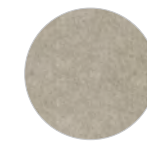
Ivory
SP 77



Beige
SP 04



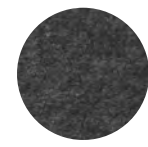
Sandstone
SP 12



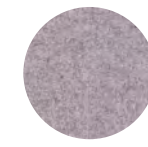
Taupe Grey *
SP 90



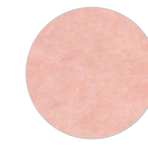
Warm Grey
SP 76



Graphite
SP 03



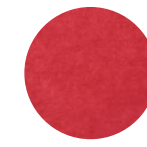
Castlerock *
SP 80



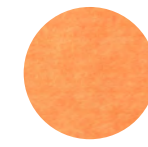
Blush Pink
SP 81



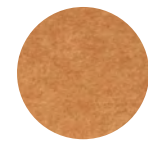
Plum
SP 72



Red
SP 08



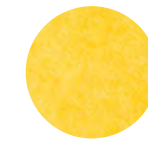
Orange
SP 46



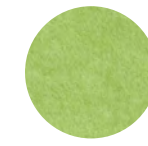
Yam
SP 28



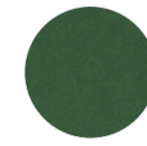
Mustard *
SP 87



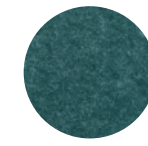
Sunflower
SP 05



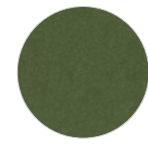
Chartreuse
SP 43



Moss *
SP 89



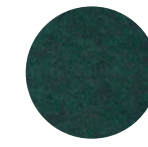
Peacock *
SP 82



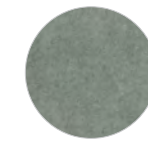
Olive *
SP 88



Ocean Green *
SP 86



Forest Green
SP 17



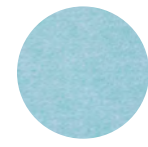
Desert Sage
SP 78



Deep Sea Blue *
SP 83



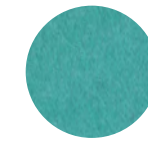
Krypton
SP 30



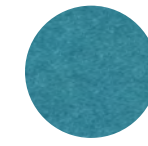
Pale Teal
SP 74



Lagoon *
SP 84



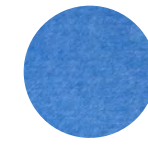
Aquamarine
SP 73



Dark Turquoise
SP 71



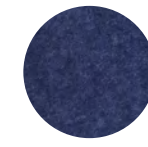
Azure *
SP 85



Sky Blue
SP 25



Navy
SP 01



Midnight Blue
SP 19



Purple
SP 50