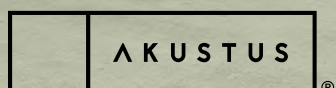


12 mm PET Panel

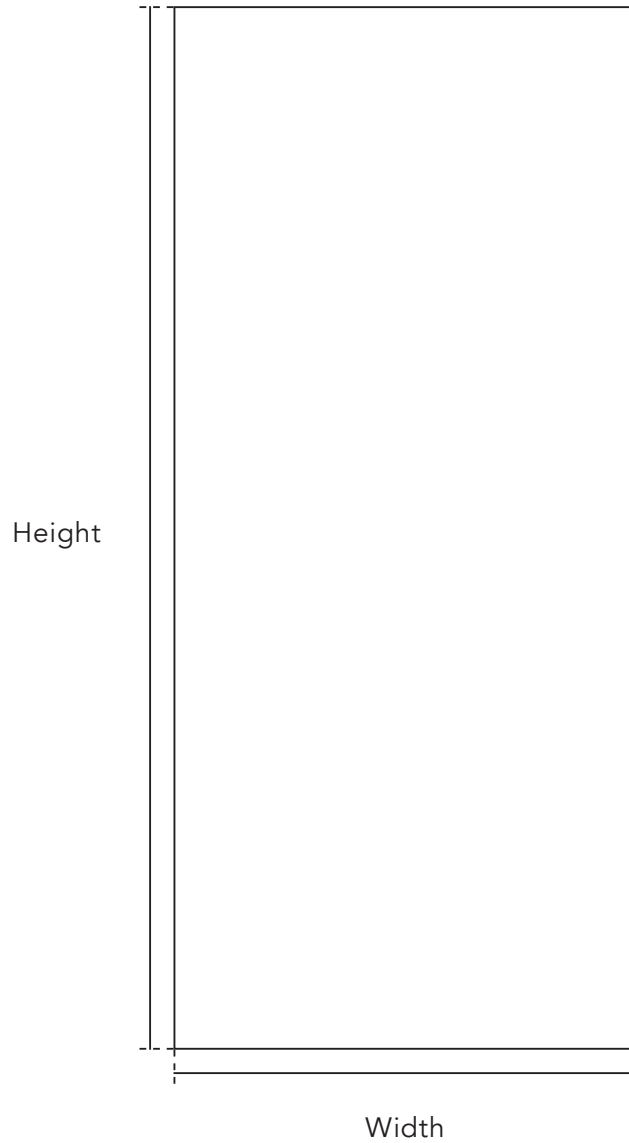
BY AKUSTUS DESIGNS



Dimensions

Thickness: 12 mm (0.5 in)

* Custom shape and size available.



Product Data

Product Code	Width x Height	Thickness	Weight
SRZ-PN-122-274-012	1220 x 2745 mm 48 x 108.1 in	12 mm 0.5 in	8.4 kg 18.5 lb

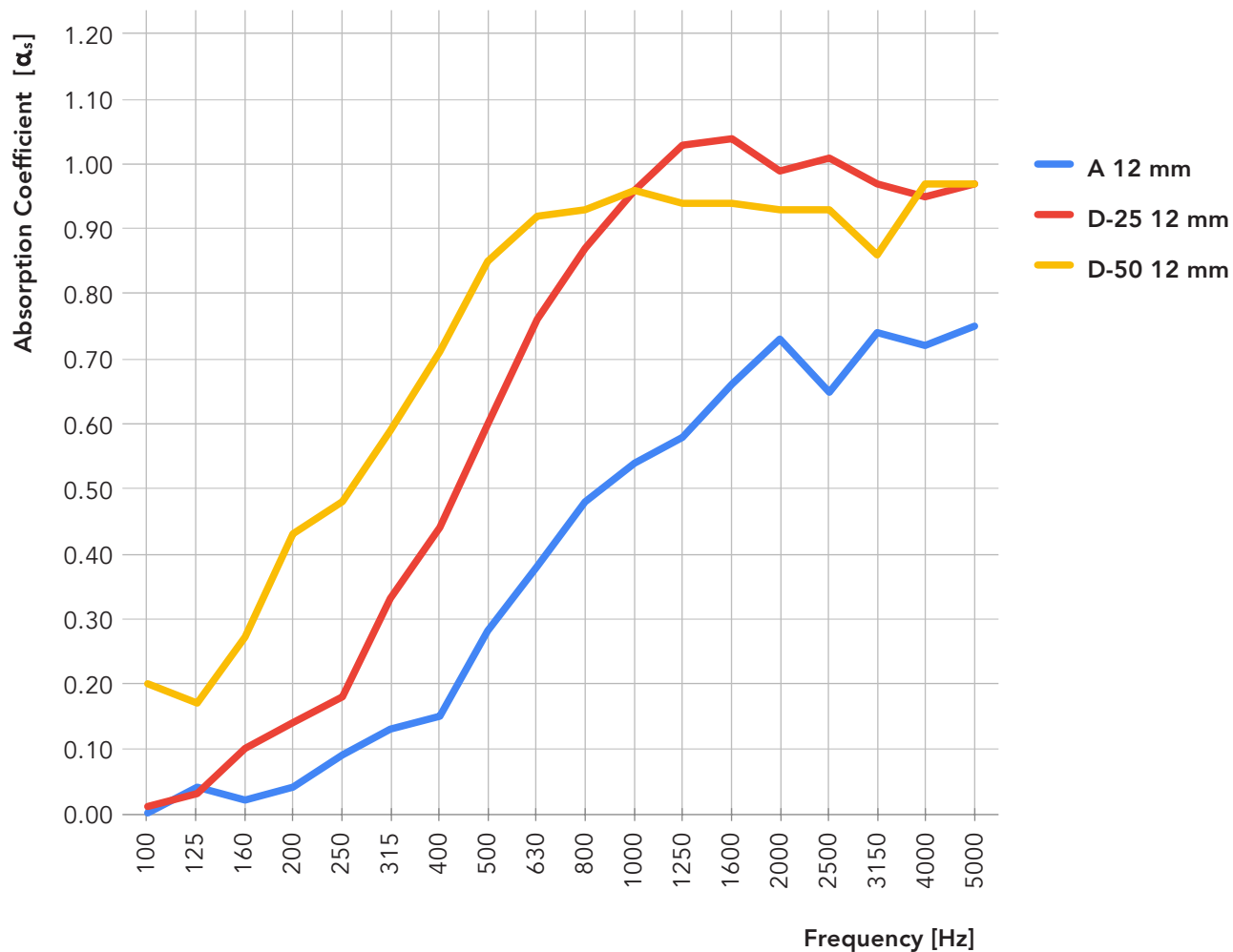
Specifications

Product Name	12 mm PET Panel
Composition	100% polyester fibre
Edge Detail	Square / chamfered edge
Fire Rating	<ul style="list-style-type: none"> • ASTM E84 Class A • CAN/ULC-S102.2-10
VOC Emissions	CDPH (CA 01350)
Antimicrobial Testing	Mould & mildew resistant
Sustainability	<ul style="list-style-type: none"> • 100% recyclable • LBC Red List free • Contributes to LEED certification • Free of toxic substances and of off-gassing • Made with ~60% recycled content from plastic water bottles
How to Specify	<ul style="list-style-type: none"> • Product Name & Code • Dimensions • Colour • Installation Method
Colour & Texture Variations	The felting and dyeing process that forms the material contributes to its unique texture but also to variations in texture and colour from panel to panel. Products will be provided within an acceptable range of variation.



Acoustic Properties

The following values reflect the acoustic properties of the product as tested in accordance with ASTM C423-09a using Type A, Type D-25 and Type D-50 mounting.

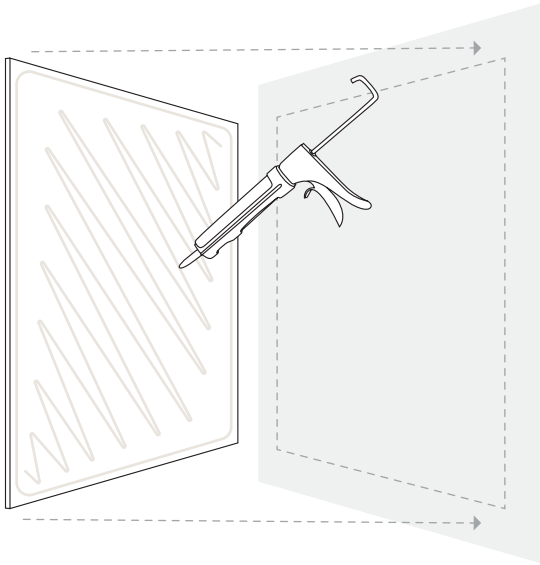
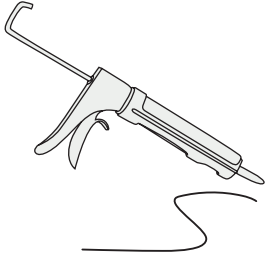


	NRC	SAA	200	250	315	400	500	630	800	1000	1250	1600	2000	2500
A 12 mm	0.40	0.39	0.04	0.09	0.13	0.15	0.28	0.38	0.48	0.54	0.58	0.66	0.73	0.65
D-25 12 mm	0.70	0.70	0.14	0.18	0.33	0.44	0.60	0.76	0.87	0.96	1.03	1.04	0.99	1.01
D-50 12 mm	0.80	0.80	0.43	0.48	0.59	0.71	0.85	0.92	0.93	0.96	0.94	0.94	0.93	0.93

Installation

Specify one of the following options at the time of ordering.

Construction Adhesive



- By others

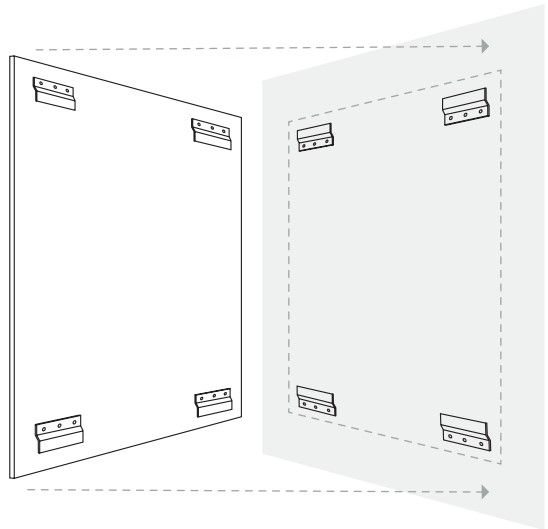
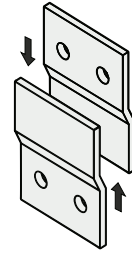
Recommendation

- Liquid Nails Heavy Duty (Low VOC)
LN-903

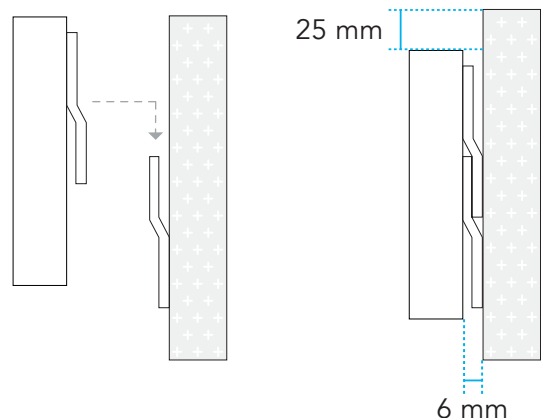
Alternatives

- LePage PL Premium
- LePage PL Premium Max
- LePage No More Nails Heavy Duty
- LePage No More Nails Ultimate Crystal Clear
- (At your discretion, other construction adhesive may be used but should be tested for effectiveness)

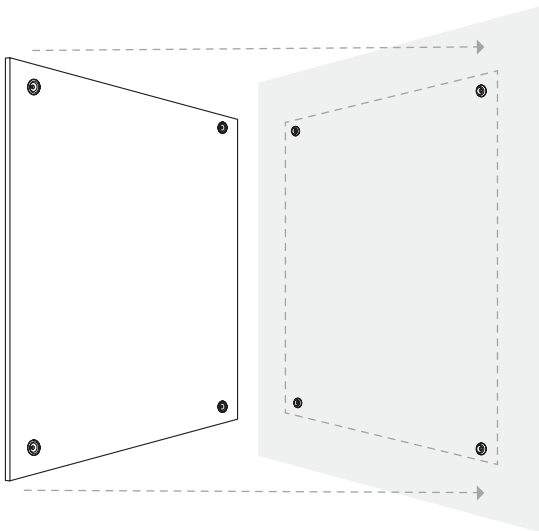
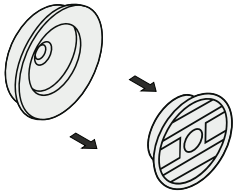
Z-clips (KT-ZCLP-00)



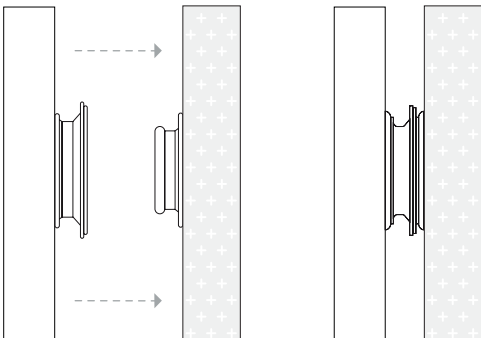
- 6 mm ($\frac{1}{4}$ in) projection from the wall
- 25 mm (1 in) clearance required above the panel



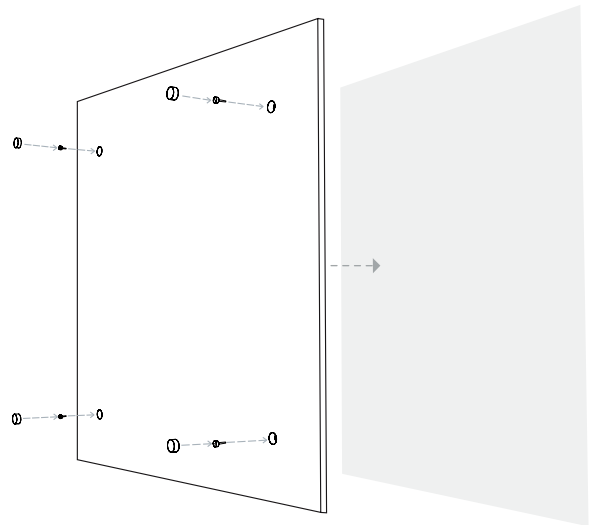
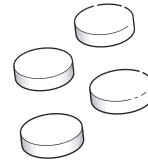
Push Mounts (KT-PUSH-00)



- Panels come with mounts pre-installed but receiving mount must be installed on-site



Concealed Mechanical Fasteners (KT-CCAP-00)



Concealer Caps

- Provided in matching colour & material as panel

Mechanical Fasteners

- By others
- Optional: construction adhesive can be applied for more robust & permanent installation

Product Care

Handling & Storage

Handle products with care so as to avoid folding the polyester felt, chipping its edges or indenting its faces. Store products in their original containers in a well-ventilated area until the intended application environment is ready for installation. Allow products to acclimatize to environmental conditions. Lay them flat on their faces; do not stand them on their edges. Protect from moisture, heat, direct sunlight and the elements.

Maintenance

Lightly brush or gently vacuum to remove dust from polyester felt. Clean with warm water and mild, non-toxic soap to remove spills. Test solution on an inconspicuous spot before applying to more visible areas. Blot with a dry cloth after applying the solution to avoid saturating the material. Avoid applying too much pressure when cleaning the products.

Warranty

AKUSTUS warrants the construction and finish of all our products to be free from defects in material and workmanship for a period of 1 year from the date of purchase.

Colours



Pure White
SP 07



Krypton
SP 30



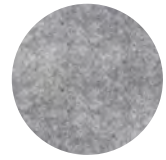
Urban Grey
SP 79



Pumice
SP 11



Warm Grey
SP 76



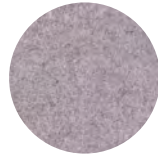
Cool Grey
SP 36



Ivory
SP 77

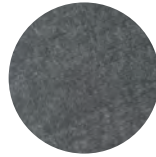


Beige
SP 04

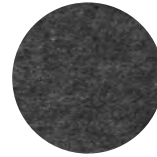


Castlerock
SP 80

NEW



Mid Grey
SP 37



Graphite
SP 03



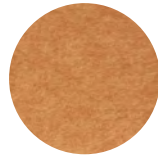
Black
SP 13



Sandstone
SP 12



Orange
SP 46



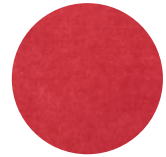
Yam
SP 28



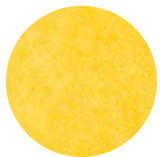
Wild Currant
SP 48



Plum
SP 72



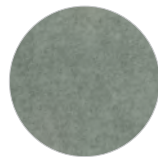
Red
SP 08



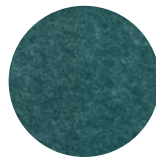
Sunflower
SP 05



Chartreuse
SP 43

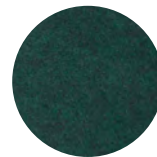


Desert Sage
SP 78

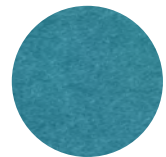


Peacock
SP 82

NEW



Forest Green
SP 17



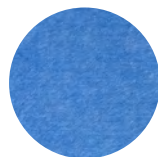
Dark Turquoise
SP 71



Aquamarine
SP 73



Pale Teal
SP 74



Sky Blue
SP 25



Navy
SP 01



Midnight Blue
SP 19



Purple
SP 50