

Haven Desk Divider

BY AKUSTUS DESIGNS





HVN-DD-061-162

The **Haven Desk Divider** transforms a space for collaboration into a zone of concentration and back again, just like that. Slide the panels together when you need to focus; pull the panels apart and store them flat when you need the open space. No tools required. Whether you need it for an open office or for the dinner table, this divider gives you the haven you seek.



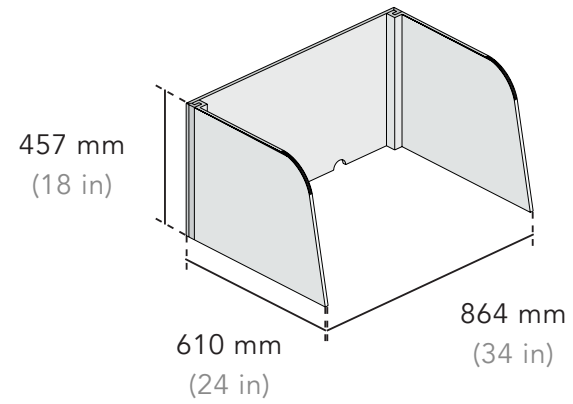
HVN-DD-061-162

Dimensions

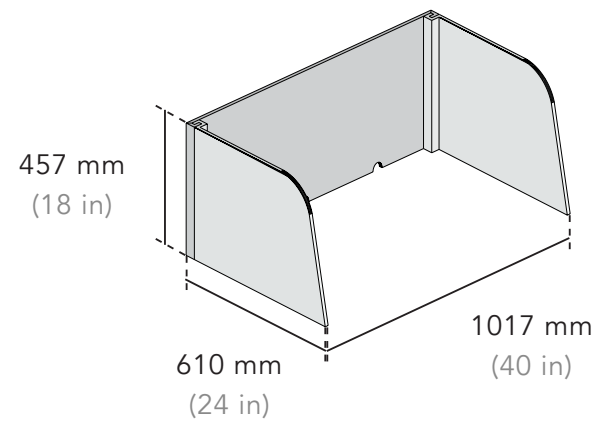
Available Thickness: 12 mm (0.5 in)

* Custom shape and size available.

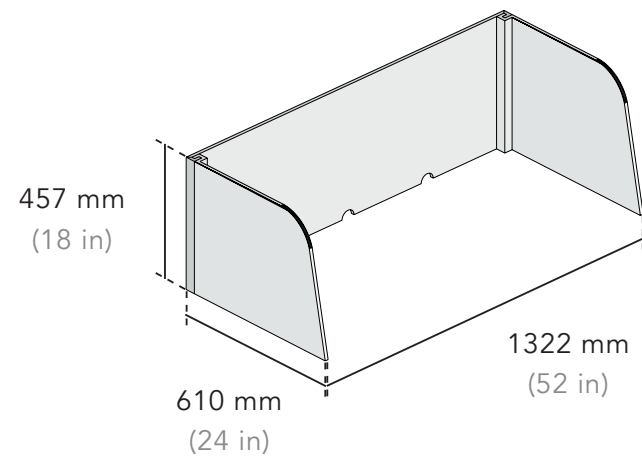
HVN-DD-061-086



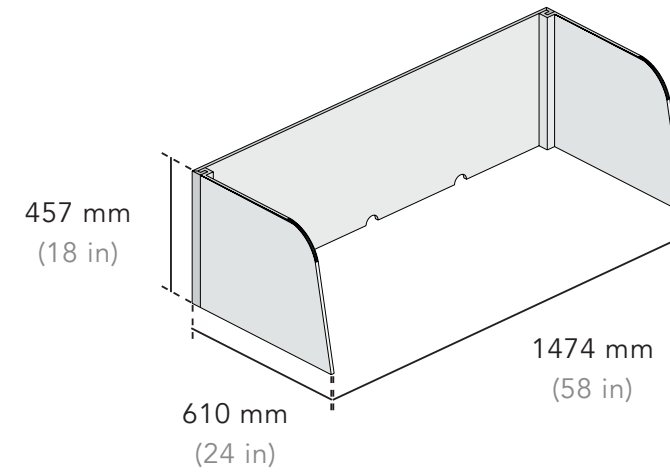
HVN-DD-061-101



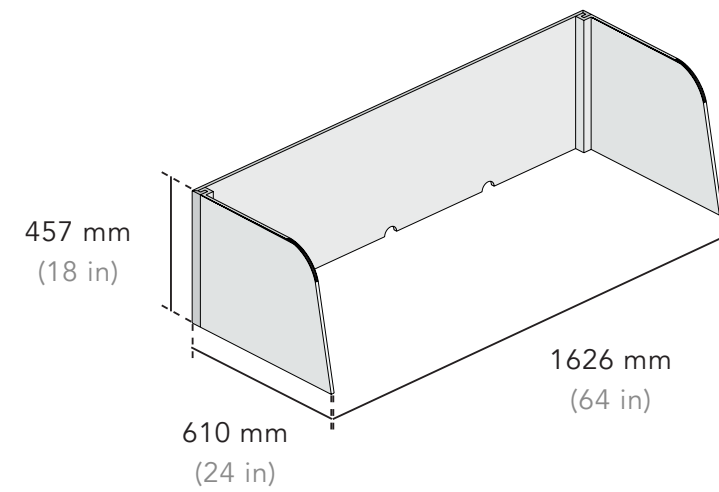
HVN-DD-061-132



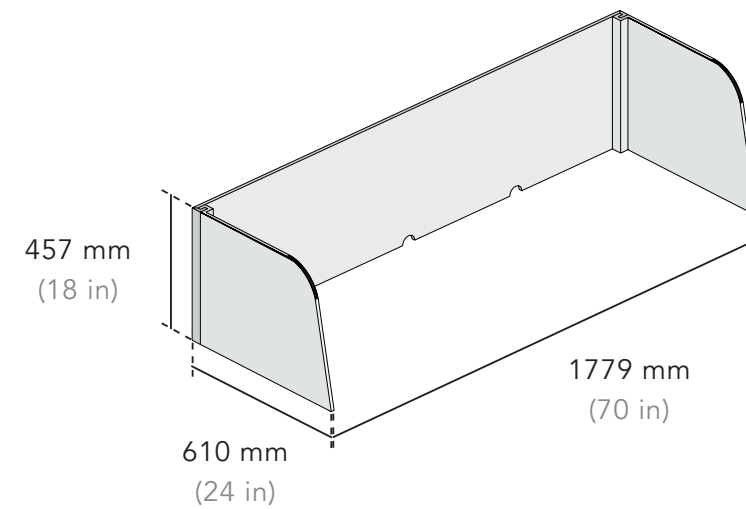
HVN-DD-061-147



HVN-DD-061-162



HVN-DD-061-177



Product Data

Product Code	Width x Length	Height	Weight
HVN-DD-061-086	610 x 864 mm 24 x 34 in	457 mm 18 in	2.6 kg 5.7 lb
HVN-DD-061-101	610 x 1017 mm 24 x 40 in	457 mm 18 in	2.8 kg 6.2 lb
HVN-DD-061-132	610 x 1322 mm 24 x 52 in	457 mm 18 in	3.2 kg 7.1 lb
HVN-DD-061-147	610 x 1474 mm 24 x 58 in	457 mm 18 in	3.3 kg 7.3 lb
HVN-DD-061-162	610 x 1626 mm 24 x 64 in	457 mm 18 in	3.5 kg 7.7 lb
HVN-DD-061-177	610 x 1779 mm 24 x 70 in	457 mm 18 in	3.7 kg 8.2 lb



Specifications

Product Name	Haven Desk Divider
Composition	100% polyester fibre
Edge Detail	Square edge
Fire Rating	<ul style="list-style-type: none"> • ASTM E84 Class A • CAN/ULC-S102.2-10
VOC Emissions	CDPH (CA 01350)
Antimicrobial Testing	Mould & mildew resistant
Sustainability	<ul style="list-style-type: none"> • 100% recyclable • LBC Red List free • Contributes to LEED certification • Free of toxic substances and of off-gassing • Made with ~60% recycled content from plastic water bottles

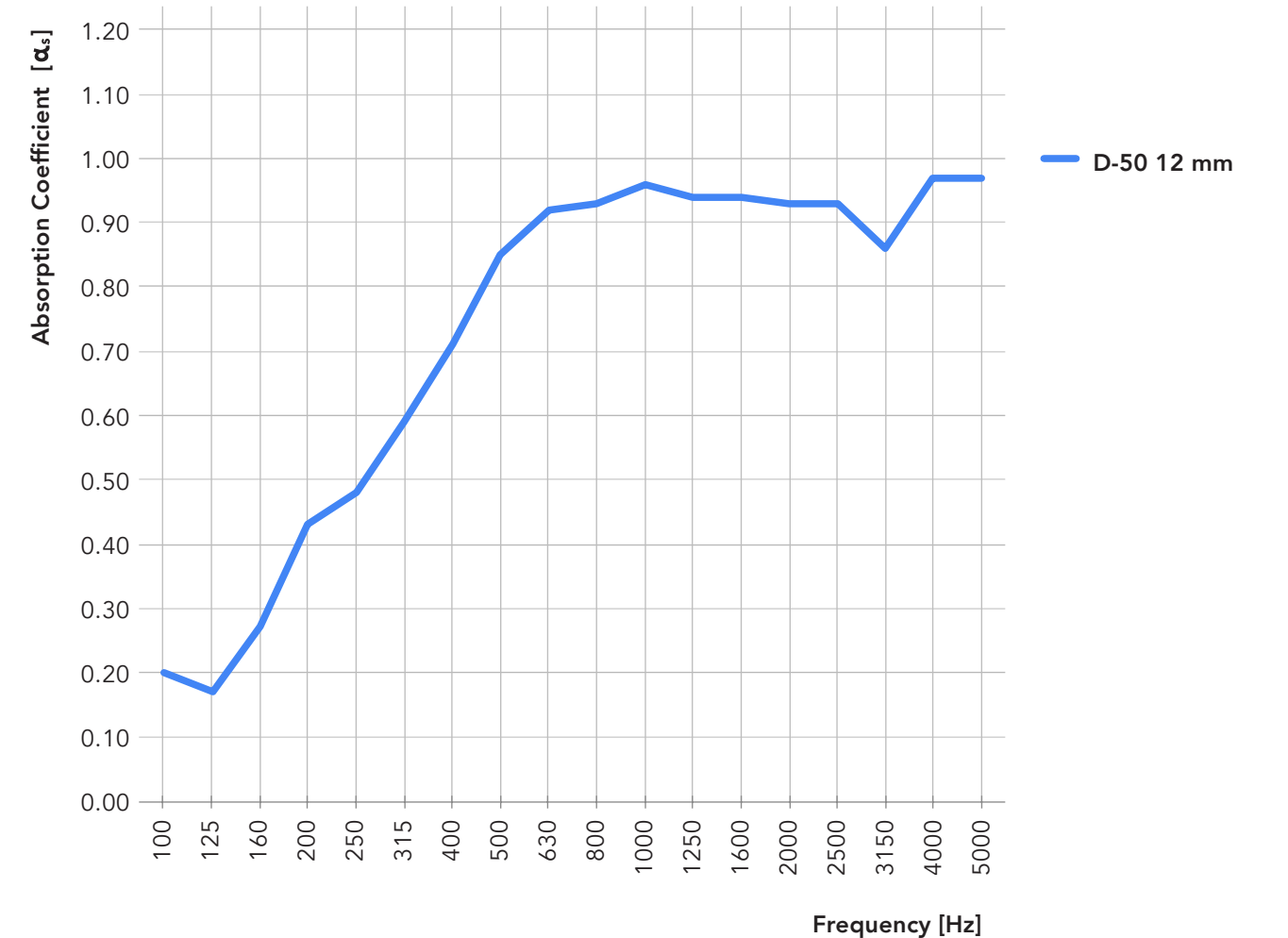
How to Specify	<ul style="list-style-type: none"> • Product Name & Code • Dimensions • Colour • Installation Method
-----------------------	----------------------------------------------------------------------------------------------------------------------------------------------------

Colour & Texture Variations The felting and dyeing process that forms the material contributes to its unique texture but also to variations in texture and colour from panel to panel. Products will be provided within an acceptable range of variation.



Acoustic Properties

The following values reflect the acoustic properties of the product as tested in accordance with ASTM C423-09a using Type D-50 mounting.



	NRC	SAA	200	250	315	400	500	630	800	1000	1250	1600	2000	2500
D-50 12 mm	0.80	0.80	0.43	0.48	0.59	0.71	0.85	0.92	0.93	0.96	0.94	0.94	0.93	0.93

Product Care

Handling & Storage

Handle products with care so as to avoid folding the polyester felt, chipping its edges or indenting its faces. Store products in their original containers in a well-ventilated area until the intended application environment is ready for installation. Allow products to acclimatize to environmental conditions. Lay them flat on their faces; do not stand them on their edges. Protect from moisture, heat, direct sunlight and the elements.

Maintenance

Lightly brush or gently vacuum to remove dust from polyester felt. Clean with warm water and mild, non-toxic soap to remove spills. Test solution on an inconspicuous spot before applying to more visible areas. Blot with a dry cloth after applying the solution to avoid saturating the material. Avoid applying too much pressure when cleaning the products.

Warranty

AKUSTUS warrants the construction and finish of all our products to be free from defects in material and workmanship for a period of 1 year from the date of purchase.

Colours

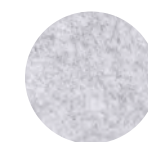
* 12/24 mm only



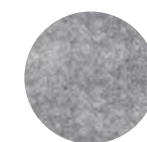
Pure White
SP 07



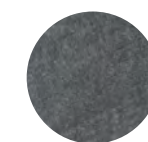
Urban Grey
SP 79



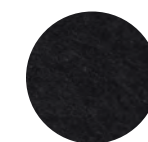
Pumice
SP 11



Cool Grey
SP 36



Mid Grey
SP 37



Black
SP 13



Ivory
SP 77



Beige
SP 04



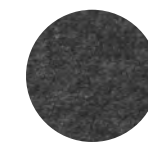
Sandstone
SP 12



Taupe Grey *
SP 90



Warm Grey
SP 76



Graphite
SP 03



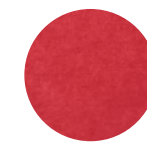
Castlerock *
SP 80



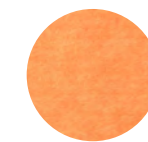
Blush Pink
SP 81



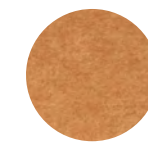
Plum
SP 72



Red
SP 08



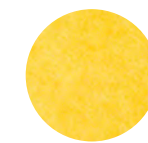
Orange
SP 46



Yam
SP 28



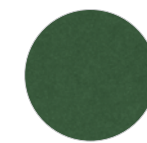
Mustard *
SP 87



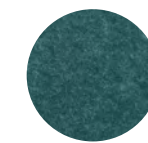
Sunflower
SP 05



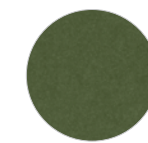
Chartreuse
SP 43



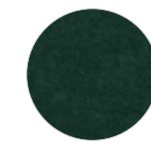
Moss *
SP 89



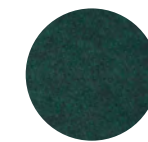
Peacock *
SP 82



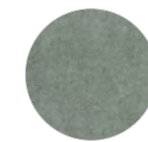
Olive *
SP 88



Ocean Green *
SP 86



Forest Green
SP 17



Desert Sage
SP 78



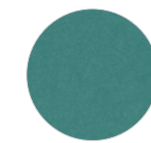
Deep Sea Blue *
SP 83



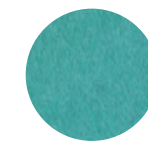
Krypton
SP 30



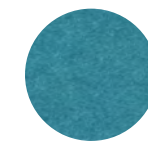
Pale Teal
SP 74



Lagoon *
SP 84



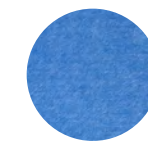
Aquamarine
SP 73



Dark Turquoise
SP 71



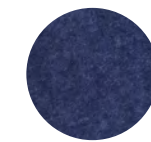
Azure *
SP 85



Sky Blue
SP 25



Navy
SP 01



Midnight Blue
SP 19



Purple
SP 50