

Fino Classic 3D Panel

BY AKUSTUS DESIGNS



AKUSTUS

®

[AKUSTUS.COM](https://www.akustus.com)

[INFO@AKUSTUS.COM](mailto:info@akustus.com)



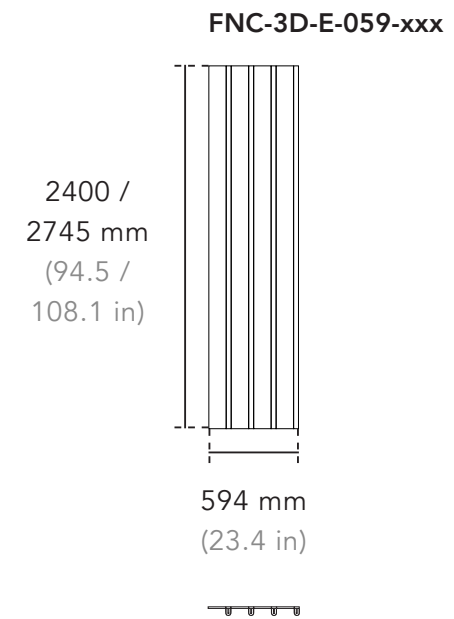
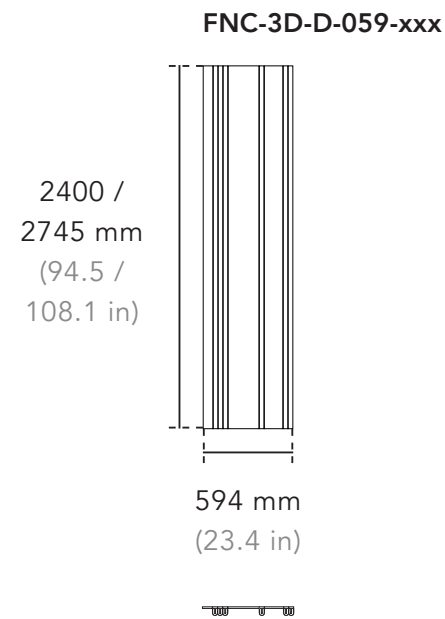
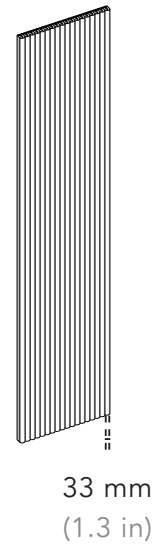
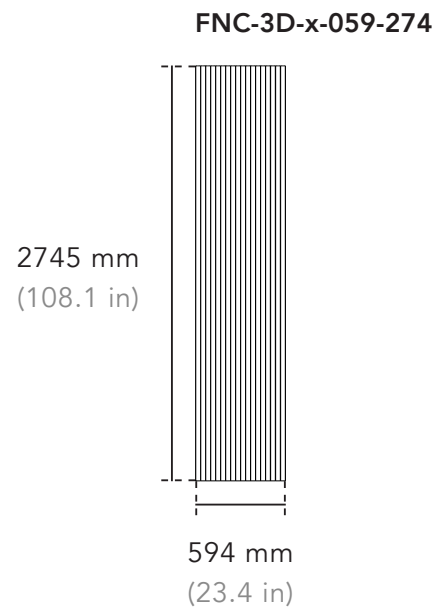
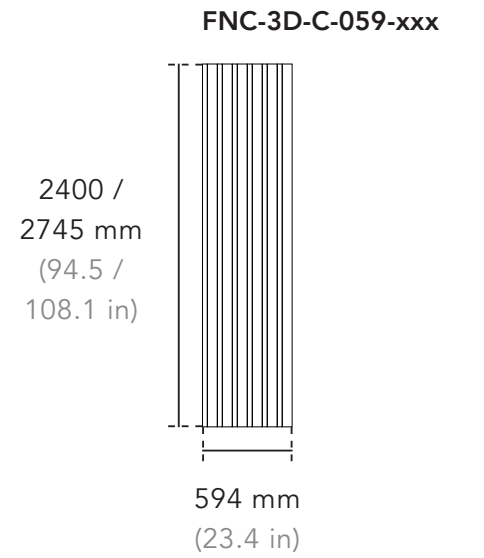
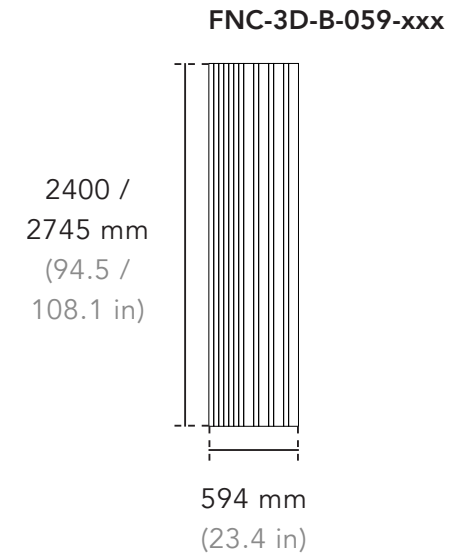
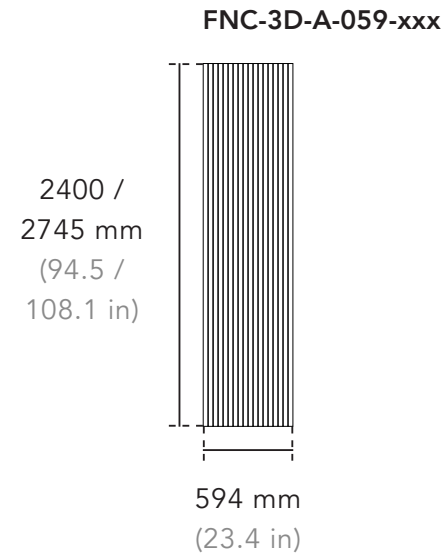
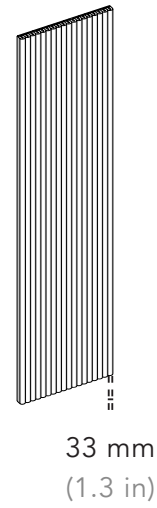
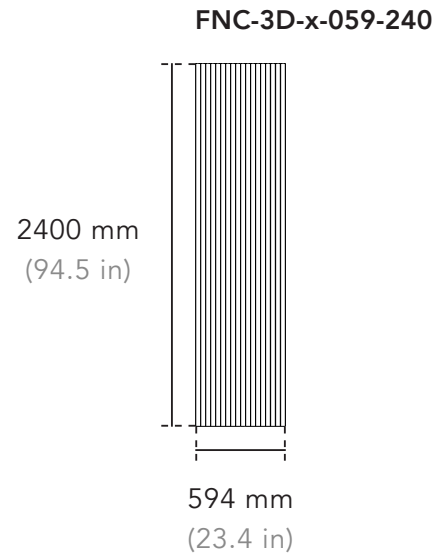
FNC-3D-A-059-240

The **Fino Classic 3D Panel** is characterized by its distinctly narrow profile, giving the wall charm without being overbearing. The gentle curve of each piece creates a soft facade and a calming atmosphere. Enjoy the finer things in life and feel good about your space with Fino.

Dimensions

Available Depth: 45 mm (1.8 in)

* Custom shape and size available. See Customization page for more information.

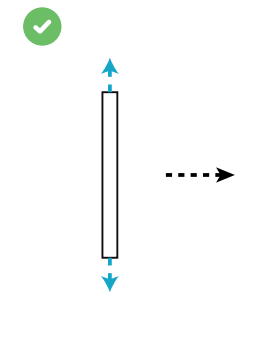


Product Data

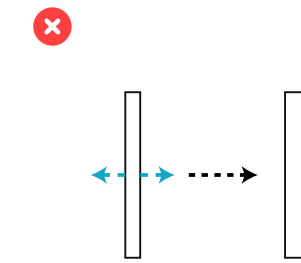
Product Code	Width	Height	Depth
FNC-3D-A-059-240	594 mm 23.4 in	2400 mm 94.5 in	45 mm 1.8 in
FNC-3D-A-059-274	594 mm 23.4 in	2745 mm 108.1 in	45 mm 1.8 in
FNC-3D-B-059-240	594 mm 23.4 in	2400 mm 94.5 in	45 mm 1.8 in
FNC-3D-B-059-274	594 mm 23.4 in	2745 mm 108.1 in	45 mm 1.8 in
FNC-3D-C-059-240	594 mm 23.4 in	2400 mm 94.5 in	45 mm 1.8 in
FNC-3D-C-059-274	594 mm 23.4 in	2745 mm 108.1 in	45 mm 1.8 in
FNC-3D-D-059-240	594 mm 23.4 in	2400 mm 94.5 in	45 mm 1.8 in
FNC-3D-D-059-274	594 mm 23.4 in	2745 mm 108.1 in	45 mm 1.8 in
FNC-3D-E-059-240	594 mm 23.4 in	2400 mm 94.5 in	45 mm 1.8 in
FNC-3D-E-059-274	594 mm 23.4 in	2745 mm 108.1 in	45 mm 1.8 in

Customization

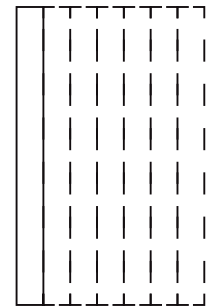
Bands & Modules



The height of an individual band can be adjusted.

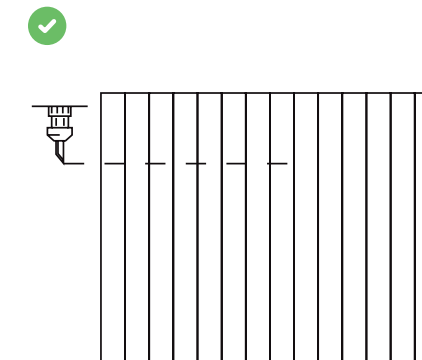


The width of an individual band cannot be adjusted.

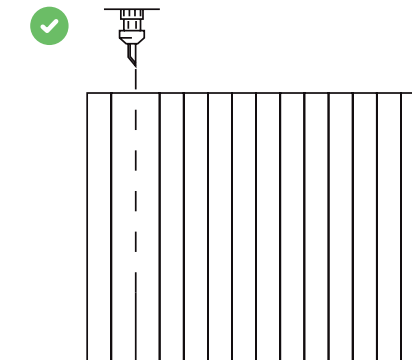


A module is composed of multiple bands (up to 9). Its width can be adjusted by adding or removing bands.

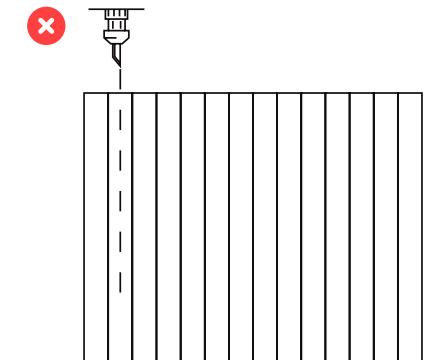
Module Customization



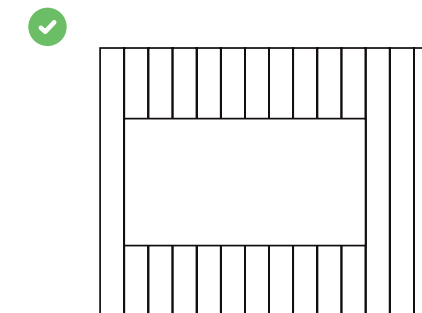
Panels cannot be cut on-site but can be cut horizontally by the manufacturer.



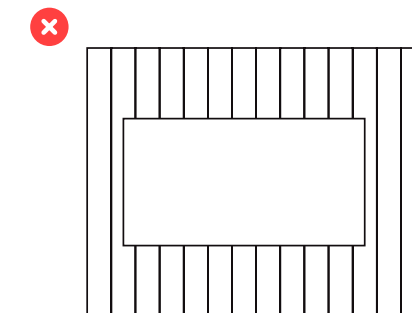
Panels can be cut vertically by the manufacturer where bands meet.



Panels cannot be cut vertically within a band.



Cut-outs can be made by the manufacturer by removing sections of bands.

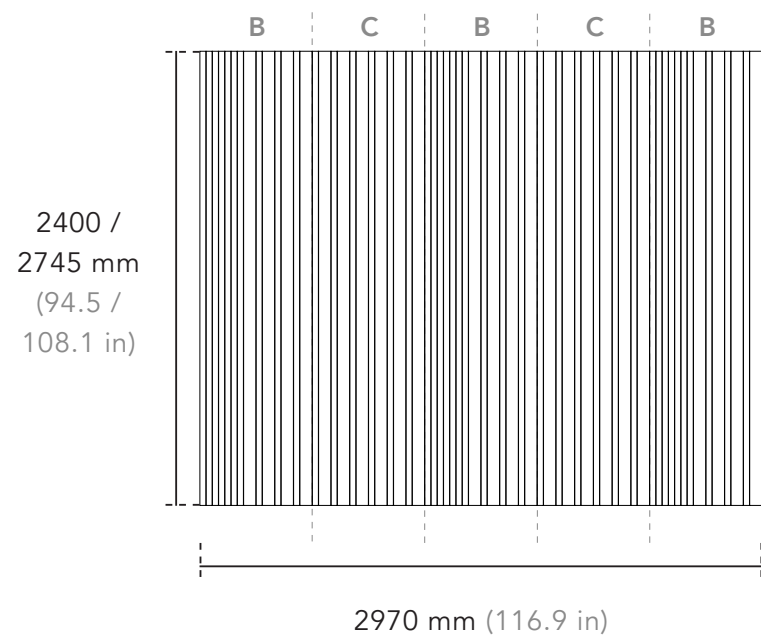


Cut-outs cannot be made by cutting into the bands.

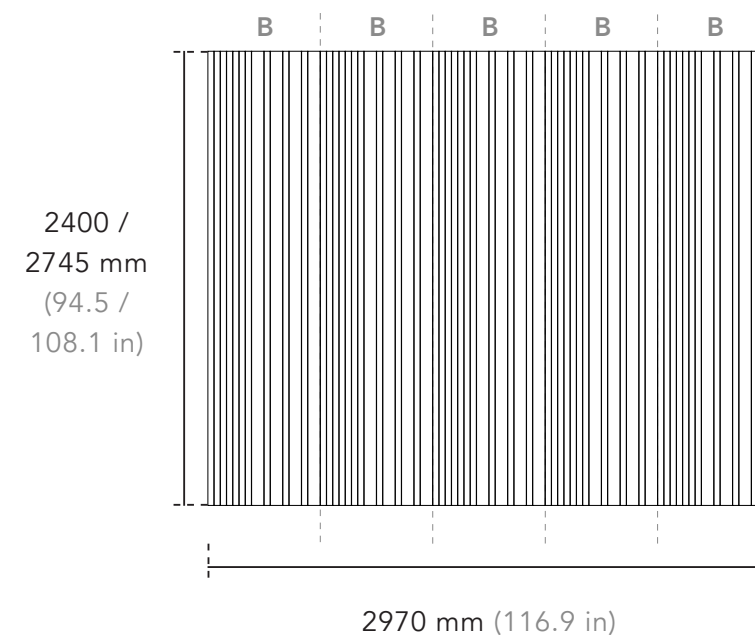
Configurations

* Custom configurations available.

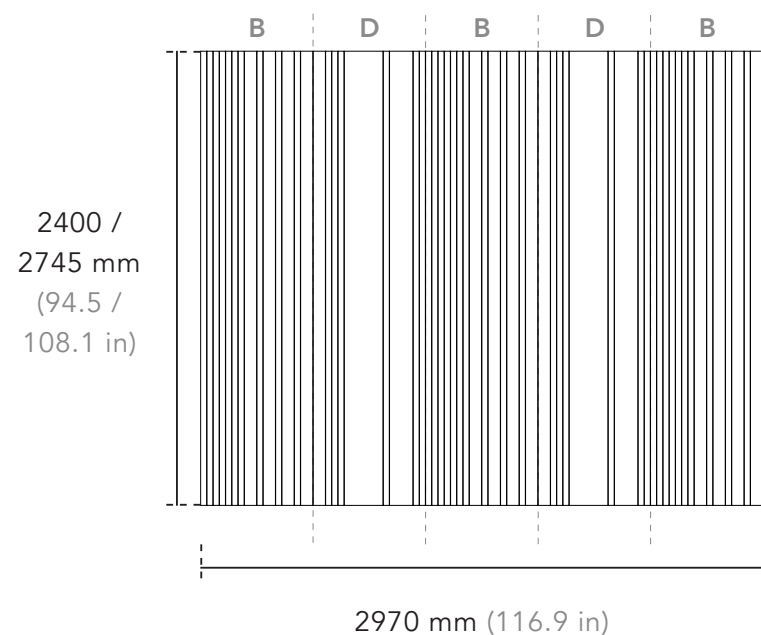
Configuration 1



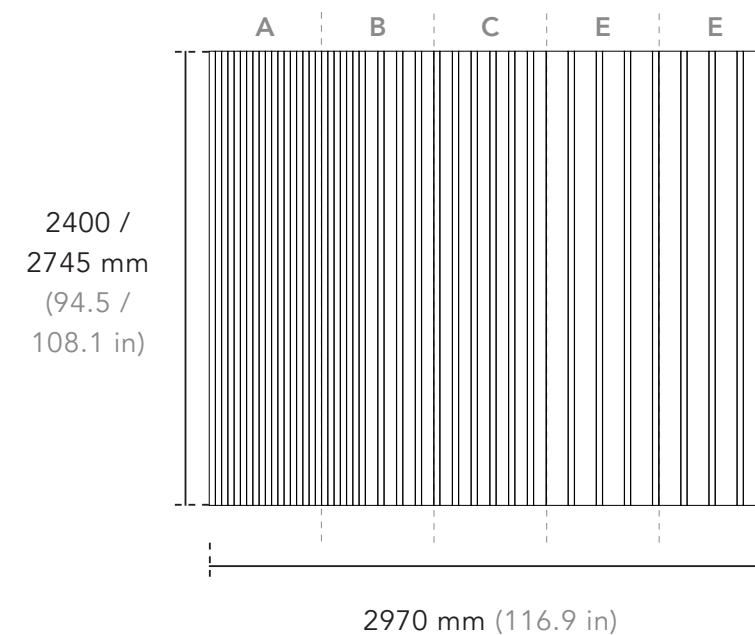
Configuration 2



Configuration 3



Configuration 4



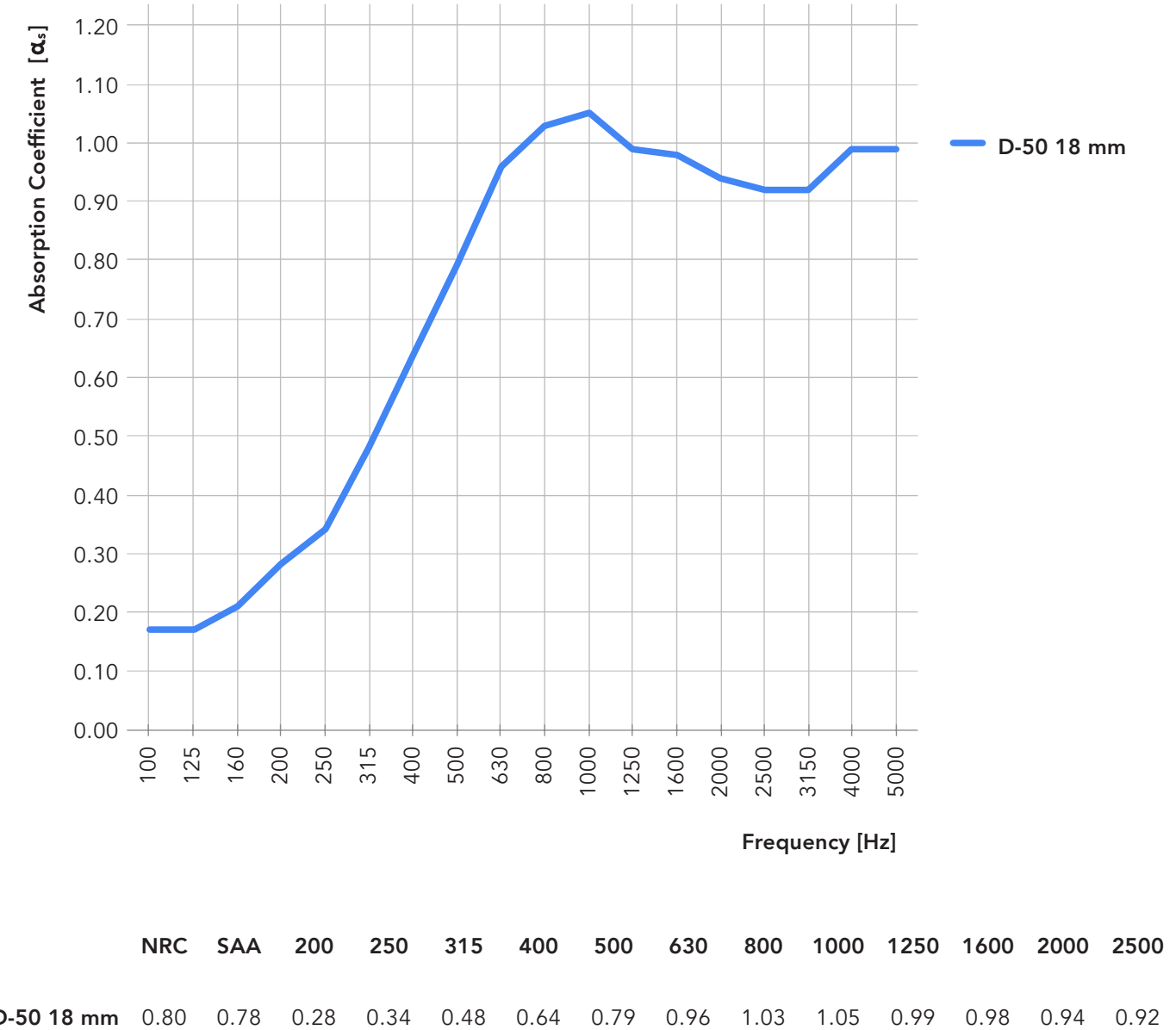
Specifications

Product Name	Fino Classic 3D Panel
Composition	100% polyester fibre
Fire Rating	<ul style="list-style-type: none"> • ASTM E84 Class A • CAN/ULC-S102.2-10
VOC Emissions	CDPH (CA 01350)
Antimicrobial Testing	Mould & mildew resistant
Sustainability	<ul style="list-style-type: none"> • 100% recyclable • LBC Red List free • Contributes to LEED certification • Free of toxic substances and of off-gassing • Made with ~60% recycled content from plastic water bottles
How to Specify	<ul style="list-style-type: none"> • Product Name & Code • Dimensions • Colour • Installation Method
Colour & Texture Variations	The felting and dyeing process that forms the material contributes to its unique texture but also to variations in texture and colour from panel to panel. Products will be provided within an acceptable range of variation.



Acoustic Properties

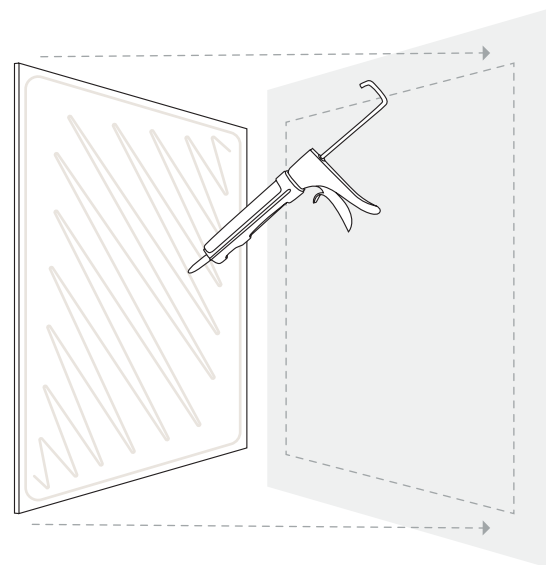
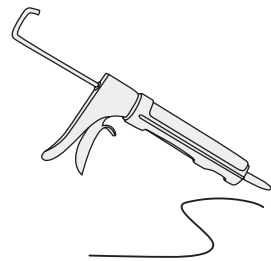
The following values reflect the acoustic properties of the product as tested in accordance with ASTM C423-09a using Type D-50 mounting.



Installation

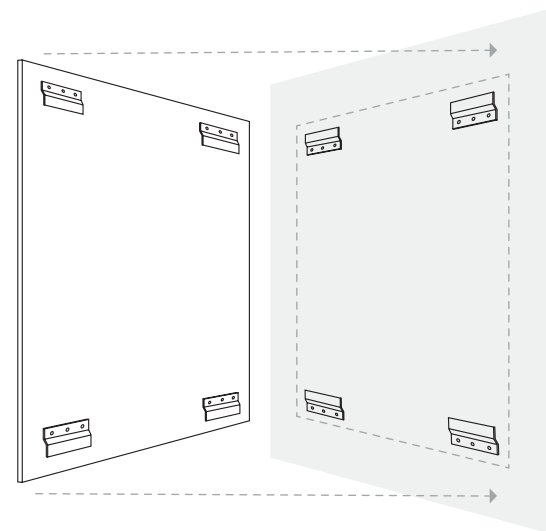
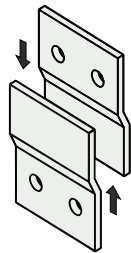
Specify one of the following options at the time of ordering.

Construction Adhesive

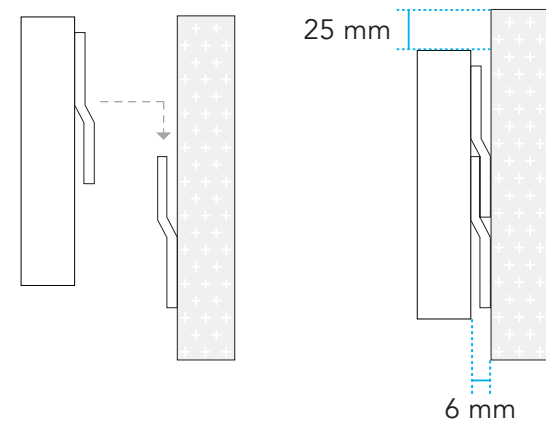


- By others
- Recommendation
- Liquid Nails Heavy Duty (Low VOC) LN-903
- Alternatives
- LePage PL Premium
 - LePage PL Premium Max
 - LePage No More Nails Heavy Duty
 - LePage No More Nails Ultimate Crystal Clear
 - (At your discretion, other construction adhesive may be used but should be tested for effectiveness)

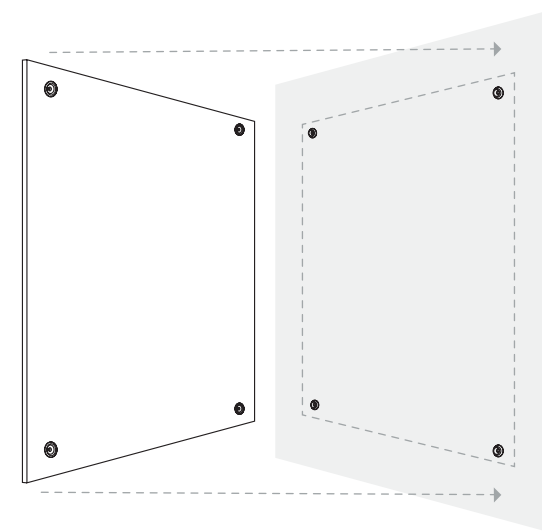
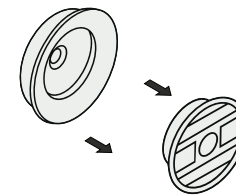
Z-clips (KT-ZCLP-00)



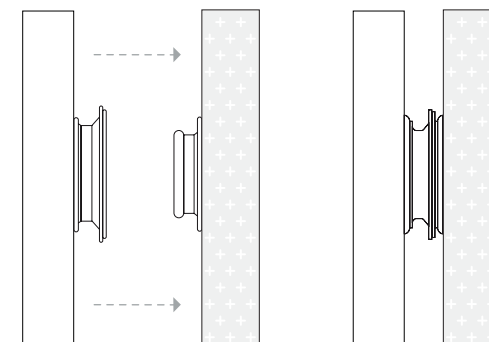
- 6 mm (1/4 in) projection from the wall
- 25 mm (1 in) clearance required above the panel



Push Mounts (KT-PUSH-00)



- Panels come with mounts pre-installed but receiving mount must be installed on-site



Product Care

Handling & Storage

Handle products with care so as to avoid folding the polyester felt, chipping its edges or indenting its faces. Store products in their original containers in a well-ventilated area until the intended application environment is ready for installation. Allow products to acclimatize to environmental conditions. Lay them flat on their faces; do not stand them on their edges. Protect from moisture, heat, direct sunlight and the elements.

Maintenance

Lightly brush or gently vacuum to remove dust from polyester felt. Clean with warm water and mild, non-toxic soap to remove spills. Test solution on an inconspicuous spot before applying to more visible areas. Blot with a dry cloth after applying the solution to avoid saturating the material. Avoid applying too much pressure when cleaning the products.

Warranty

AKUSTUS warrants the construction and finish of all our products to be free from defects in material and workmanship for a period of 1 year from the date of purchase.

Colours



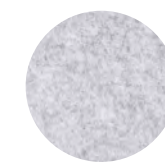
Pure White
SP 07



Krypton
SP 30



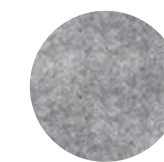
Urban Grey
SP 79



Pumice
SP 11



Warm Grey
SP 76



Cool Grey
SP 36



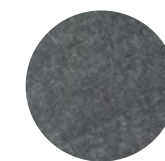
Ivory
SP 77



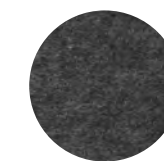
Beige
SP 04



Sandstone
SP 12



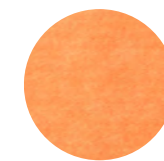
Mid Grey
SP 37



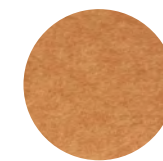
Graphite
SP 03



Black
SP 13



Orange
SP 46



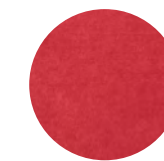
Yam
SP 28



Wild Currant
SP 48



Plum
SP 72

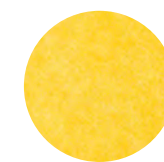


Red
SP 08

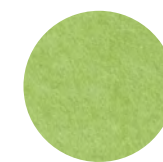


Blush Pink
SP 81

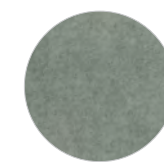
NEW



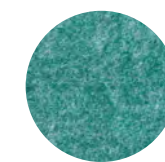
Sunflower
SP 05



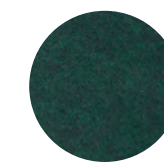
Chartreuse
SP 43



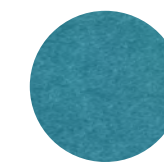
Desert Sage
SP 78



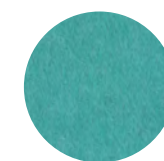
Green
SP 10



Forest Green
SP 17



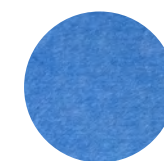
Dark Turquoise
SP 71



Aquamarine
SP 73



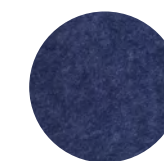
Pale Teal
SP 74



Sky Blue
SP 25



Navy
SP 01



Midnight Blue
SP 19



Purple
SP 50