

# Impressio Wall Panel

BY AKUSTUS DESIGNS



[AKUSTUS.COM](https://akustus.com)

[INFO@AKUSTUS.COM](mailto:info@akustus.com)



The **Impressio Wall Panel** combines the acoustic benefits of polyester felt with the creative possibilities of digital printing. AKUSTUS' proprietary Felt Print technique produces prints with vivid colours on polyester felt without clogging up the pores that give the panels their sound-absorbing effect. Print a logo, a piece of artwork, a photo or a texture on to the panel and mount it to the wall. In a conference room or in the waiting room, these wall panels will complement the look and sounds of whatever space you place them in.



IMPRESSIO WALL PANEL

IMP-BX-110-230

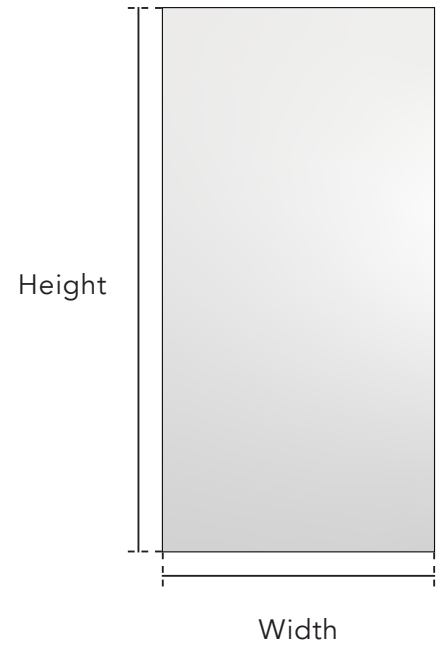
IMPRESSIO WALL PANEL

# Dimensions

\* Custom print, shape and size available.

## Square Edge

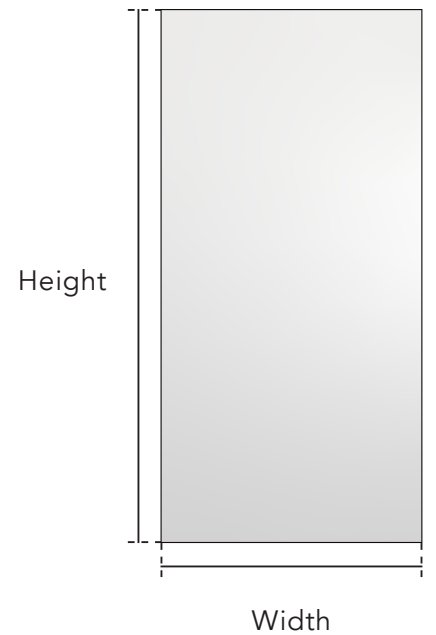
Available Thickness: 12 mm (0.5 in)



Square Edge

## Box Edge

Available Thicknesses: 25, 38, 50 mm (1, 1.5, 2 in)



Box Edge (Gallery Wrap)



Box Edge (Museum Wrap)

# Impressio Print Options



White Oak



Silver Oak



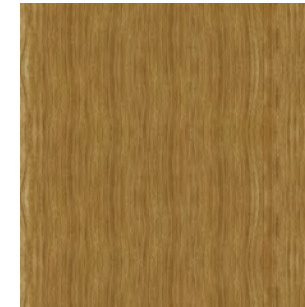
Greige Oak



Ebony Oak



Cafe Oak



Golden Oak



Teak



Walnut

# Product Data

Product Code	Max. Width x Height	Thickness	Weight
IMP-BX-110-230 Box Edge	1100 x 2300 mm 43.3 x 90.6 in	50 mm 2 in	7.2 kg 15.9 lb
IMP-BX-112-232 Box Edge	1124 x 2324 mm 44.3 x 91.5 in	38 mm 1.5 in	7.2 kg 15.9 lb
IMP-BX-115-235 Box Edge	1150 x 2350 mm 45.3 x 92.5 in	25 mm 1 in	7.2 kg 15.9 lb
IMP-WP-120-240 Square Edge	1200 x 2400 mm 47.2 x 94.5 in	12 mm 0.5 in	7.2 kg 15.9 lb

# Specifications

<b>Product Name</b>	Impressio Wall Panel
<b>Composition</b>	100% polyester fibre
<b>Edge Detail</b>	Box / square edge
<b>Fire Rating</b>	<ul style="list-style-type: none"> <li>• ASTM E84 Class A</li> <li>• CAN/ULC-S102.2-10</li> </ul>
<b>VOC Emissions</b>	CDPH (CA 01350)
<b>Antimicrobial Testing</b>	Mould & mildew resistant
<b>Sustainability</b>	<ul style="list-style-type: none"> <li>• 100% recyclable</li> <li>• LBC Red List free</li> <li>• Contributes to LEED certification</li> <li>• Free of toxic substances and of off-gassing</li> <li>• Made with ~60% recycled content from plastic water bottles</li> </ul>

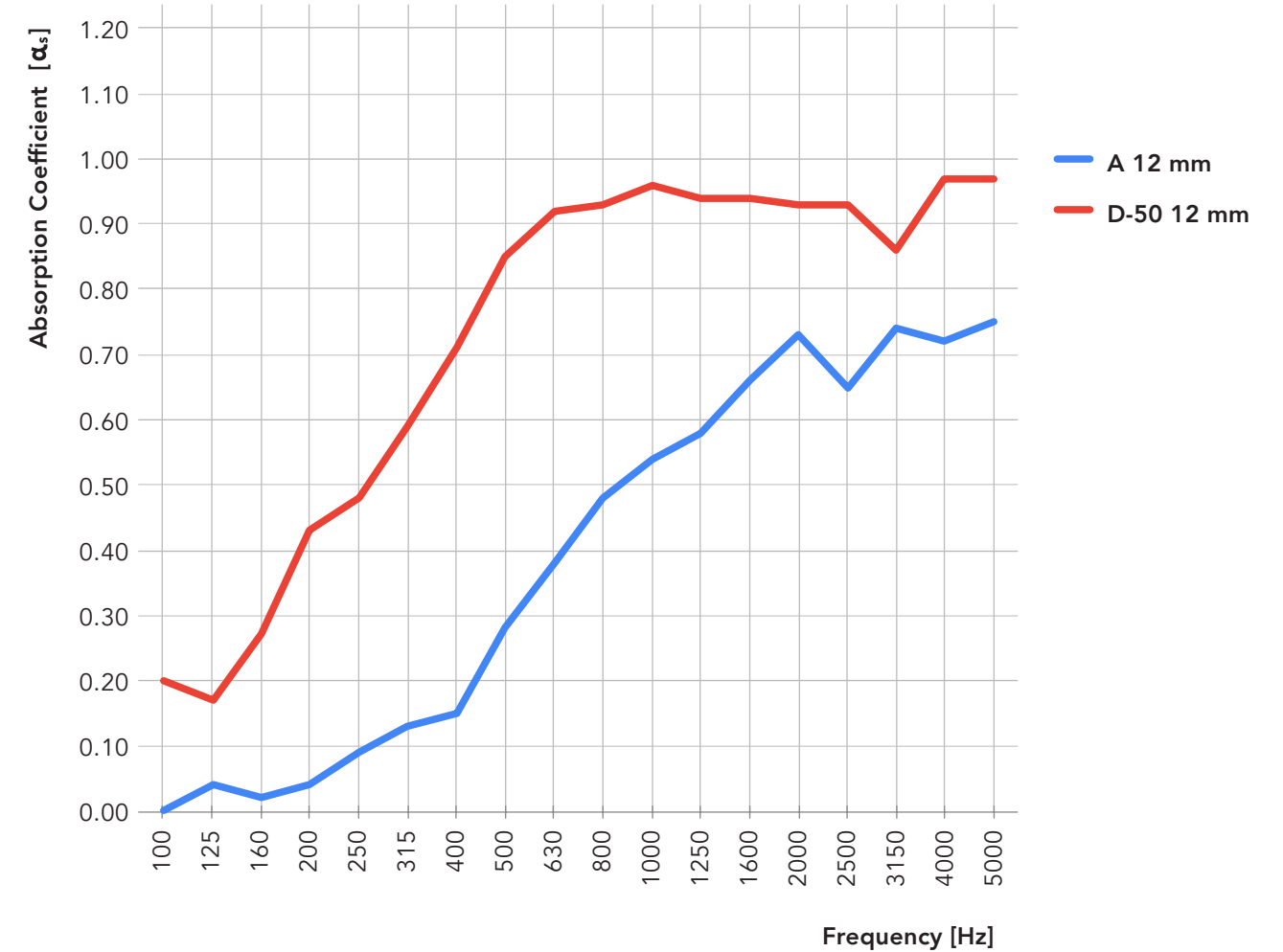
<b>How to Specify</b>	<ul style="list-style-type: none"> <li>• Product Name &amp; Code</li> <li>• Dimensions</li> <li>• Print</li> <li>• Installation Method</li> </ul>
-----------------------	---

**Colour & Texture Variations** The felting and dyeing process that forms the material contributes to its unique texture but also to variations in texture and colour from panel to panel. Products will be provided within an acceptable range of variation.



# Acoustic Properties

The following values reflect the acoustic properties of the product as tested in accordance with ASTM C423-09a using Type A and Type D-50 mounting.

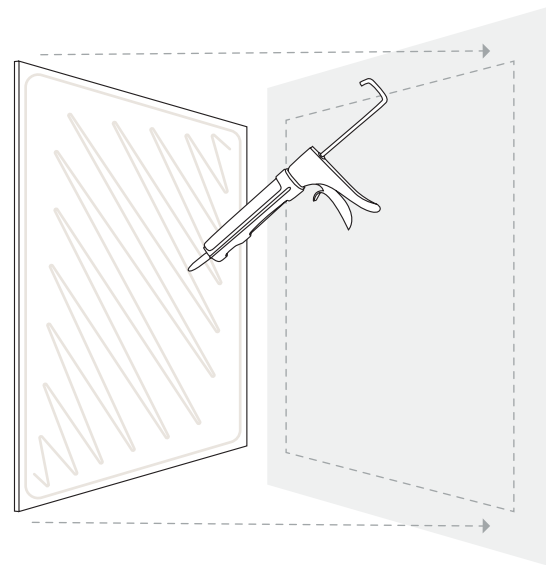
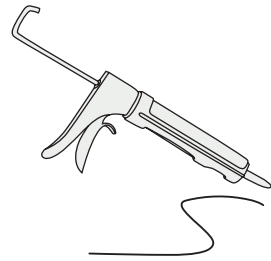


	NRC	SAA	200	250	315	400	500	630	800	1000	1250	1600	2000	2500
<b>A 12 mm</b>	0.40	0.39	0.04	0.09	0.13	0.15	0.28	0.38	0.48	0.54	0.58	0.66	0.73	0.65
<b>D-50 12 mm</b>	0.80	0.80	0.43	0.48	0.59	0.71	0.85	0.92	0.93	0.96	0.94	0.94	0.93	0.93

# Installation

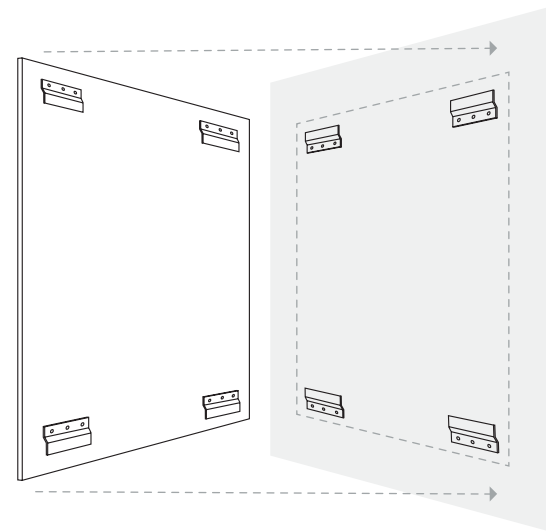
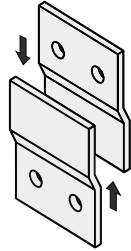
Specify one of the following options at the time of ordering.

## Construction Adhesive

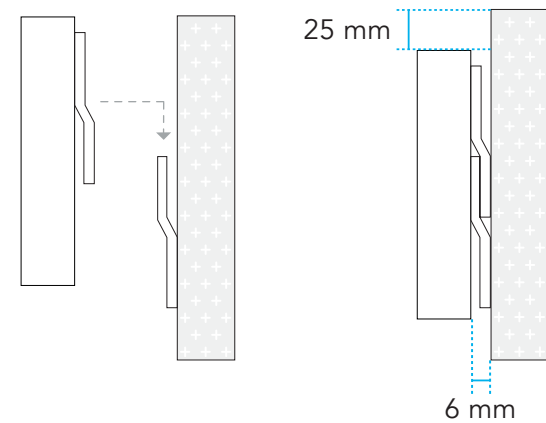


- By others
- Recommendation
- Liquid Nails Heavy Duty (Low VOC) LN-903
- Alternatives
- LePage PL Premium
  - LePage PL Premium Max
  - LePage No More Nails Heavy Duty
  - LePage No More Nails Ultimate Crystal Clear
  - (At your discretion, other construction adhesive may be used but should be tested for effectiveness)

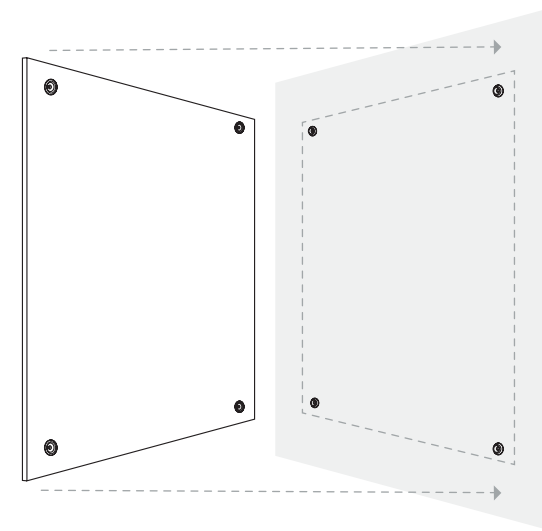
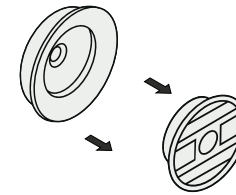
## Z-clips (KT-ZCLP-00)



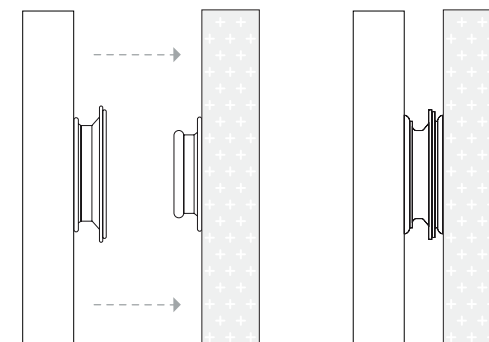
- 6 mm (1/4 in) projection from the wall
- 25 mm (1 in) clearance required above the panel



## Push Mounts (KT-PUSH-00)



- Panels come with mounts pre-installed but receiving mount must be installed on-site



## Product Care

### Handling & Storage

Handle products with care so as to avoid folding the polyester felt, chipping its edges or indenting its faces. Store products in their original containers in a well-ventilated area until the intended application environment is ready for installation. Allow products to acclimatize to environmental conditions. Lay them flat on their faces; do not stand them on their edges. Protect from moisture, heat, direct sunlight and the elements.

### Maintenance

Lightly brush or gently vacuum to remove dust from polyester felt. Clean with warm water and mild, non-toxic soap to remove spills. Test solution on an inconspicuous spot before applying to more visible areas. Blot with a dry cloth after applying the solution to avoid saturating the material. Avoid applying too much pressure when cleaning the products.

### Warranty

AKUSTUS warrants the construction and finish of all our products to be free from defects in material and workmanship for a period of 1 year from the date of purchase.

