



# Stripes Ceiling Tile

BY AKUSTUS DESIGNS



[AKUSTUS.COM](https://akustus.com)

[INFO@AKUSTUS.COM](mailto:info@akustus.com)





**Stripes Ceiling Tiles** showcase the timeless appeal of simple patterns formed by parallel lines. Where most ceiling tiles are made with only acoustic benefits in mind, these tiles are fashioned to provide aesthetic appeal as well. Flat and flush with the ceiling or protruding from the ceiling in the shape of a box, these tiles can be placed in a ceiling grid system to transform an office in the middle of downtown or a store in the middle of a shopping mall.





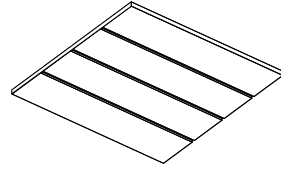
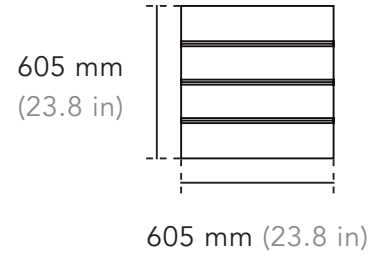
STR-CT-FB-060-060 & STR-CT-FC-060-121

# Dimensions - Flat Ceiling Tile

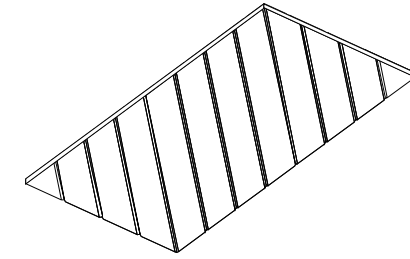
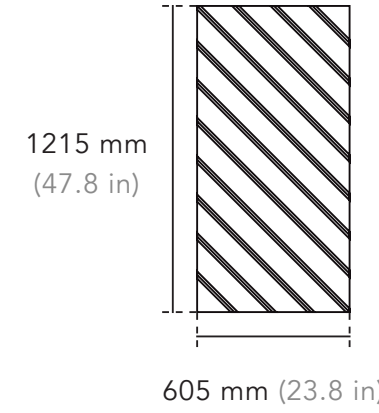
Available Thicknesses: 12, 18, 24 mm (0.5, 0.7, 0.9 in)

\* Custom size available.

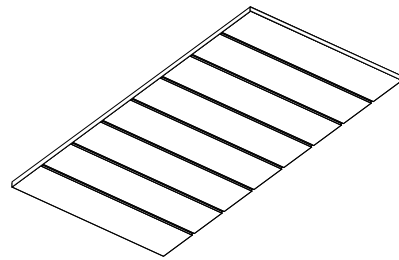
**STR-CT-FA-060-060**



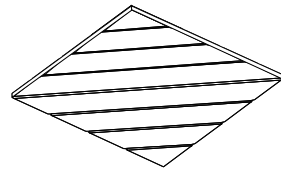
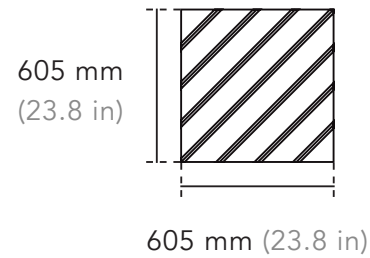
**STR-CT-FC-060-121**



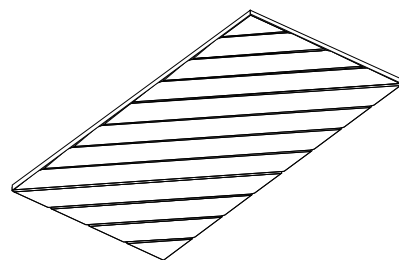
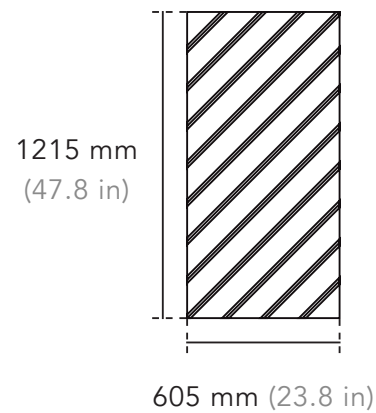
**STR-CT-FA-060-121**



**STR-CT-FB-060-060**



**STR-CT-FB-060-121**



## Product Data

| Product Code      | Width x Length                  | Thickness                         |
|-------------------|---------------------------------|-----------------------------------|
| STR-CT-FA-060-060 | 605 x 605 mm<br>23.8 x 23.8 in  | 12, 18, 24 mm<br>0.5, 0.7, 0.9 in |
| STR-CT-FA-060-121 | 605 x 1215 mm<br>23.8 x 47.8 in | 12, 18, 24 mm<br>0.5, 0.7, 0.9 in |
| STR-CT-FB-060-060 | 605 x 605 mm<br>23.8 x 23.8 in  | 12, 18, 24 mm<br>0.5, 0.7, 0.9 in |
| STR-CT-FB-060-121 | 605 x 1215 mm<br>23.8 x 47.8 in | 12, 18, 24 mm<br>0.5, 0.7, 0.9 in |
| STR-CT-FC-060-121 | 605 x 1215 mm<br>23.8 x 47.8 in | 12, 18, 24 mm<br>0.5, 0.7, 0.9 in |

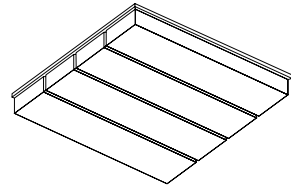
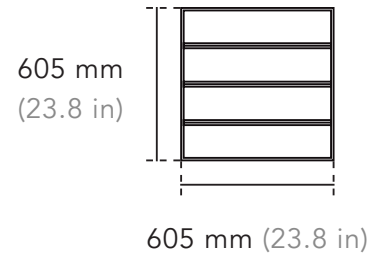


# Dimensions - Box Ceiling Tile

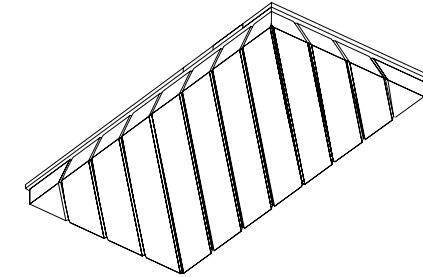
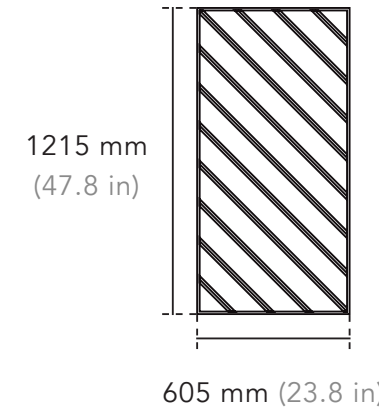
Available Thicknesses: 50, 75, 100, 150 mm (2, 3, 3.9, 5.9 in)

\* Custom size available.

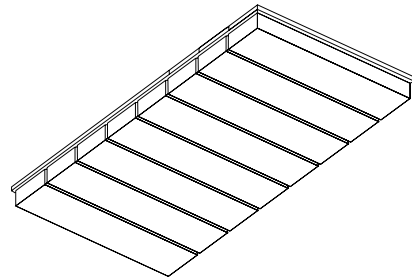
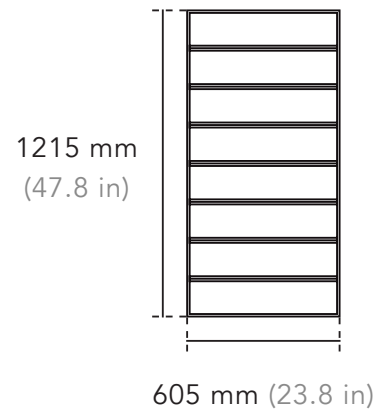
**STR-CT-BA-060-060**



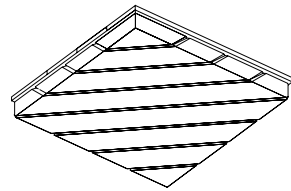
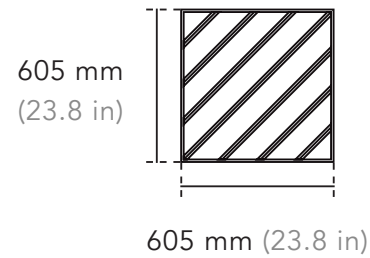
**STR-CT-BC-060-121**



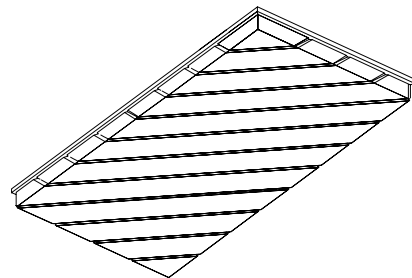
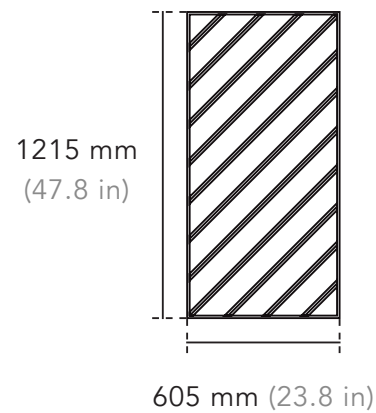
**STR-CT-BA-060-121**



**STR-CT-BB-060-060**



**STR-CT-BB-060-121**



## Product Data

| Product Code      | Width x Length                  | Thickness                                |
|-------------------|---------------------------------|--|
| STR-CT-BA-060-060 | 605 x 605 mm<br>23.8 x 23.8 in  | 50, 75, 100, 150 mm<br>2, 3, 3.9, 5.9 in |
| STR-CT-BA-060-121 | 605 x 1215 mm<br>23.8 x 47.8 in | 50, 75, 100, 150 mm<br>2, 3, 3.9, 5.9 in |
| STR-CT-BB-060-060 | 605 x 605 mm<br>23.8 x 23.8 in  | 50, 75, 100, 150 mm<br>2, 3, 3.9, 5.9 in |
| STR-CT-BB-060-121 | 605 x 1215 mm<br>23.8 x 47.8 in | 50, 75, 100, 150 mm<br>2, 3, 3.9, 5.9 in |
| STR-CT-BC-060-121 | 605 x 1215 mm<br>23.8 x 47.8 in | 50, 75, 100, 150 mm<br>2, 3, 3.9, 5.9 in |

# Specifications

|                              |  |
|------------------------------|--|
| <b>Product Name</b>          | Stripes Ceiling Tile   |
| <b>Composition</b>           | 100% polyester fibre   |
| <b>Edge Detail</b>           | Box / square edge  |
| <b>Fire Rating</b>           | <ul style="list-style-type: none"> <li>• ASTM E84 Class A</li> <li>• CAN/ULC-S102.2-10</li> </ul>  |
| <b>VOC Emissions</b>         | CDPH (CA 01350)  |
| <b>Antimicrobial Testing</b> | Mould & mildew resistant   |
| <b>Sustainability</b>        | <ul style="list-style-type: none"> <li>• 100% recyclable</li> <li>• LBC Red List free</li> <li>• Contributes to LEED certification</li> <li>• Free of toxic substances and of off-gassing</li> <li>• Made with ~60% recycled content from plastic water bottles</li> </ul> |

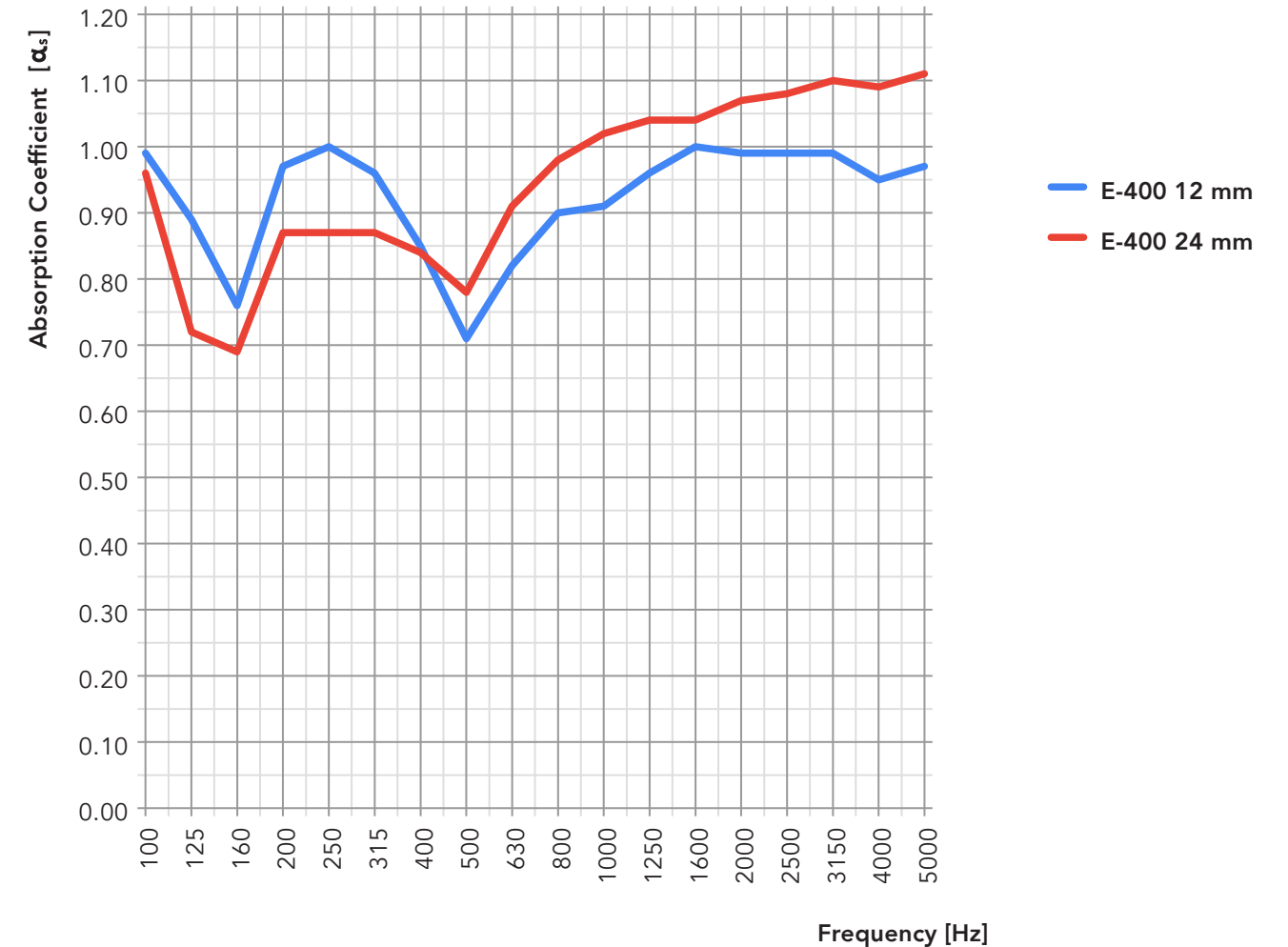
|                       |  |
|-----------------------|--|
| <b>How to Specify</b> | <ul style="list-style-type: none"> <li>• Product Name &amp; Code</li> <li>• Dimensions</li> <li>• Colour</li> <li>• Installation Method</li> </ul> |
|-----------------------|--|

**Colour & Texture Variations** The felting and dyeing process that forms the material contributes to its unique texture but also to variations in texture and colour from panel to panel. Products will be provided within an acceptable range of variation.



# Acoustic Properties

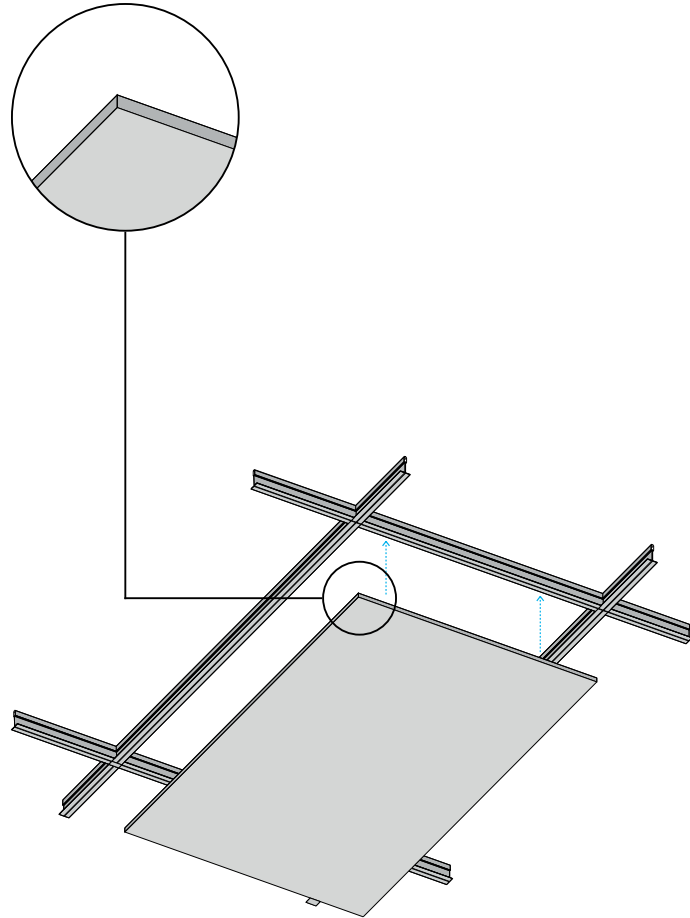
The following values reflect the acoustic properties of the product as tested in accordance with ASTM C423-09a using Type E-400 mounting.



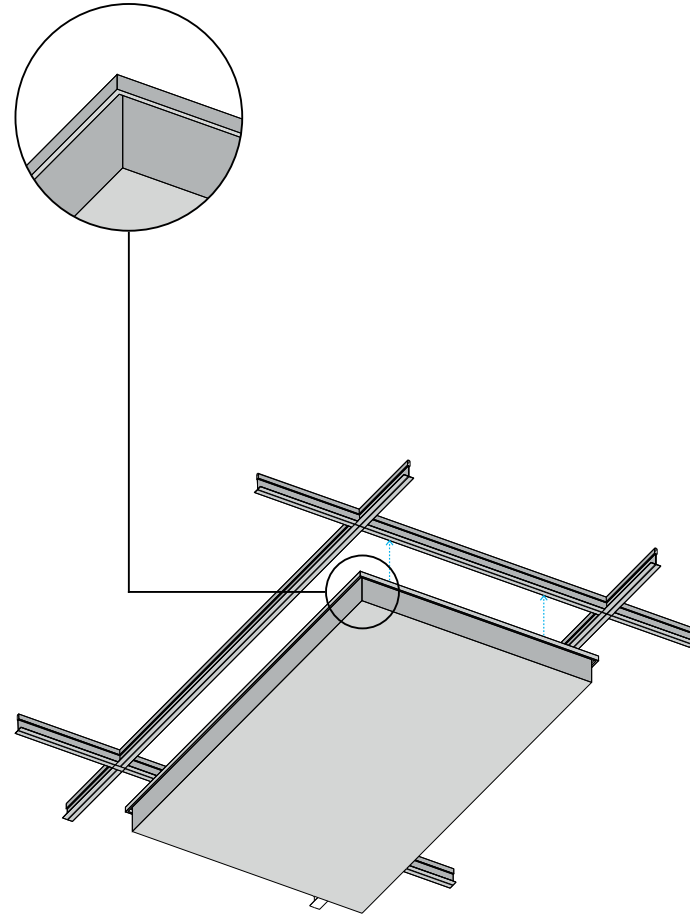
|                   | 200  | 250  | 315  | 400  | 500  | 630  | 800  | 1000 | 1250 | 1600 | 2000 | 2500 | NRC  | SAA  |
|-------------------|------|------|------|------|------|------|------|------|------|------|------|------|------|------|
| <b>E-400 12mm</b> | 0.97 | 1.00 | 0.96 | 0.85 | 0.71 | 0.82 | 0.90 | 0.91 | 0.96 | 1.00 | 0.99 | 0.99 | 0.90 | 0.92 |
| <b>E-400 24mm</b> | 0.87 | 0.87 | 0.87 | 0.84 | 0.78 | 0.91 | 0.98 | 1.02 | 1.04 | 1.04 | 1.07 | 1.08 | 0.95 | 0.95 |

## Installation

### Flat Ceiling Tile



### Box Ceiling Tile with Edge



## Product Care

### Handling & Storage

Handle products with care so as to avoid folding the polyester felt, chipping its edges or indenting its faces. Store products in their original containers in a well-ventilated area until the intended application environment is ready for installation. Allow products to acclimatize to environmental conditions. Lay them flat on their faces; do not stand them on their edges. Protect from moisture, heat, direct sunlight and the elements.

### Maintenance

Lightly brush or gently vacuum to remove dust from polyester felt. Clean with warm water and mild, non-toxic soap to remove spills. Test solution on an inconspicuous spot before applying to more visible areas. Blot with a dry cloth after applying the solution to avoid saturating the material. Avoid applying too much pressure when cleaning the products.

### Warranty

AKUSTUS warrants the construction and finish of all our products to be free from defects in material and workmanship for a period of 1 year from the date of purchase.





# Colours

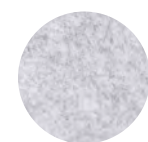
\* 12/24 mm only



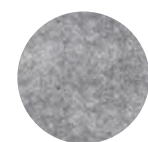
Pure White  
SP 07



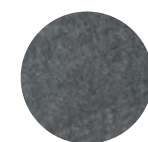
Urban Grey  
SP 79



Pumice  
SP 11



Cool Grey  
SP 36



Mid Grey  
SP 37



Black  
SP 13



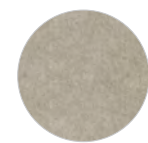
Ivory  
SP 77



Beige  
SP 04



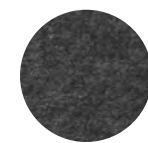
Sandstone  
SP 12



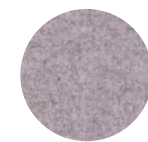
Taupe Grey \*  
SP 90



Warm Grey  
SP 76



Graphite  
SP 03



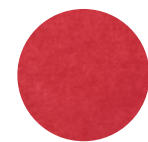
Castlerock \*  
SP 80



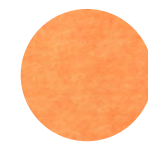
Blush Pink  
SP 81



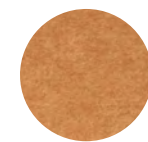
Plum  
SP 72



Red  
SP 08



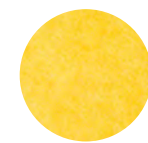
Orange  
SP 46



Yam  
SP 28



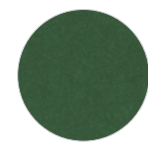
Mustard \*  
SP 87



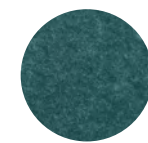
Sunflower  
SP 05



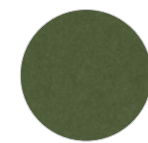
Chartreuse  
SP 43



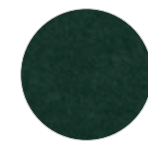
Moss \*  
SP 89



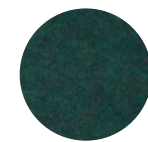
Peacock \*  
SP 82



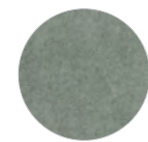
Olive \*  
SP 88



Ocean Green \*  
SP 86



Forest Green  
SP 17



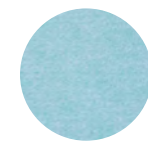
Desert Sage  
SP 78



Deep Sea Blue \*  
SP 83



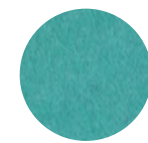
Krypton  
SP 30



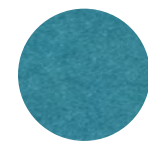
Pale Teal  
SP 74



Lagoon \*  
SP 84



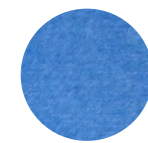
Aquamarine  
SP 73



Dark Turquoise  
SP 71



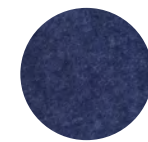
Azure \*  
SP 85



Sky Blue  
SP 25



Navy  
SP 01



Midnight Blue  
SP 19



Purple  
SP 50