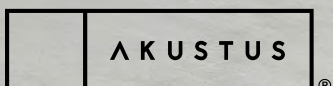


# Arcus 3D Panel

BY AKUSTUS DESIGNS



[AKUSTUS.COM](https://www.akustus.com)

[INFO@AKUSTUS.COM](mailto:info@akustus.com)



ARC-3D-J-118-118

The semi-cylinders of the **Arcus 3D Panel** don't just make the room look good; they make it sound good. The rounded surface of the panel deflects and diffuses sound waves more evenly within the room. You can arrange these panels in a combination of colours thanks to their modular design. Mount them with ease on the walls of a library or of an office and transform how people experience the room.

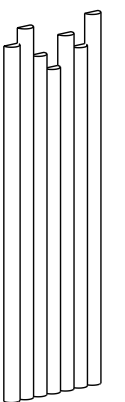
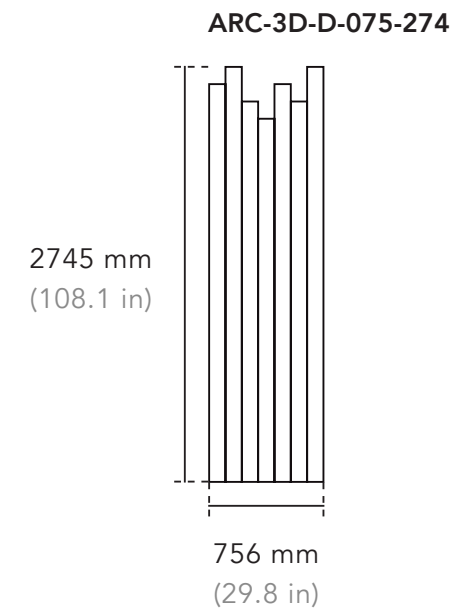
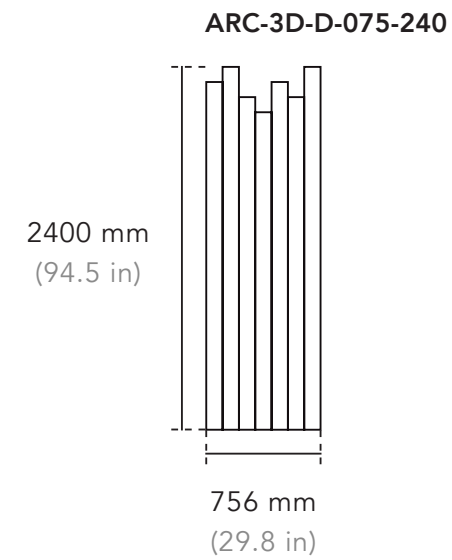
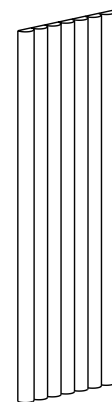
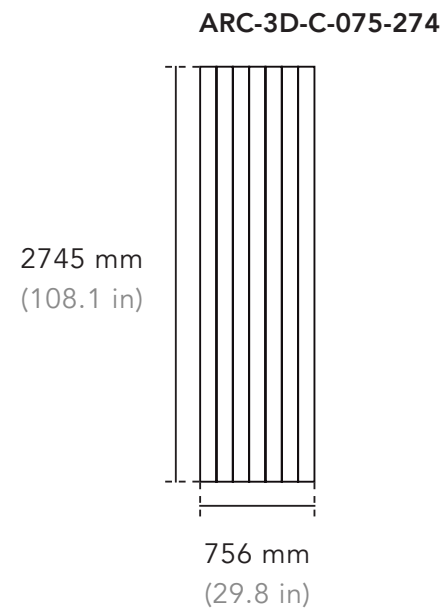
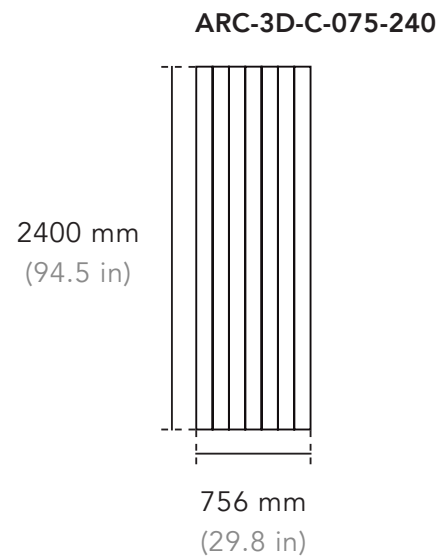
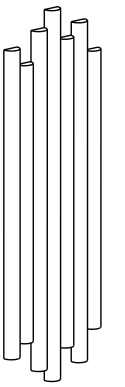
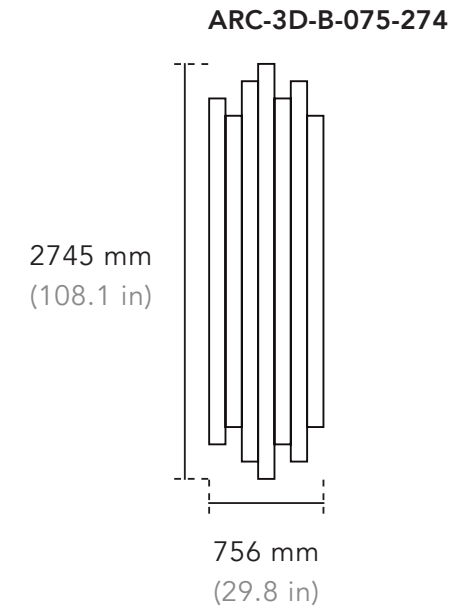
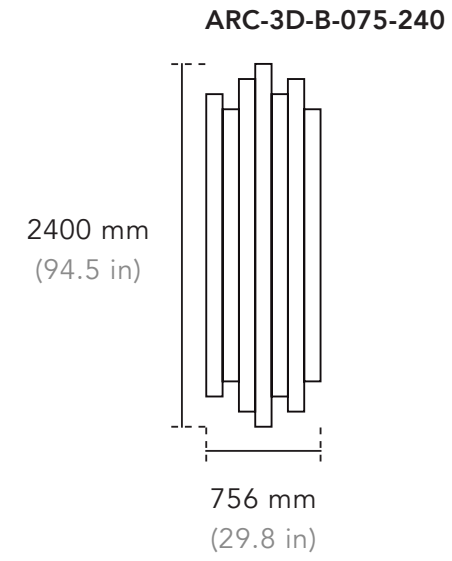
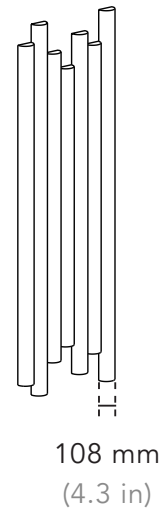
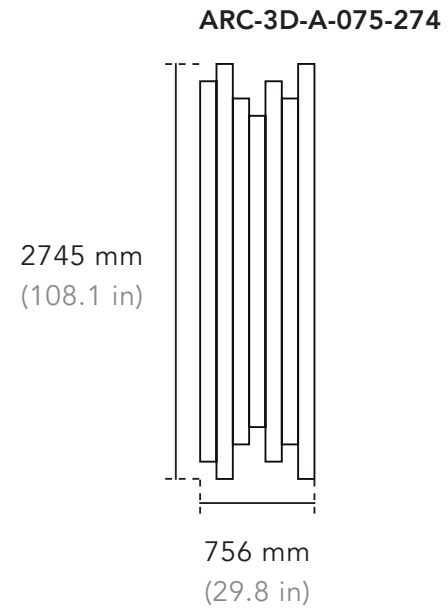
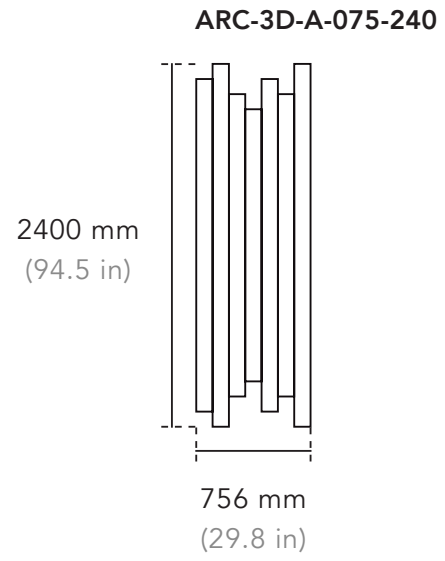


ARC-3D-A-075-240 (CONFIGURATION 1)

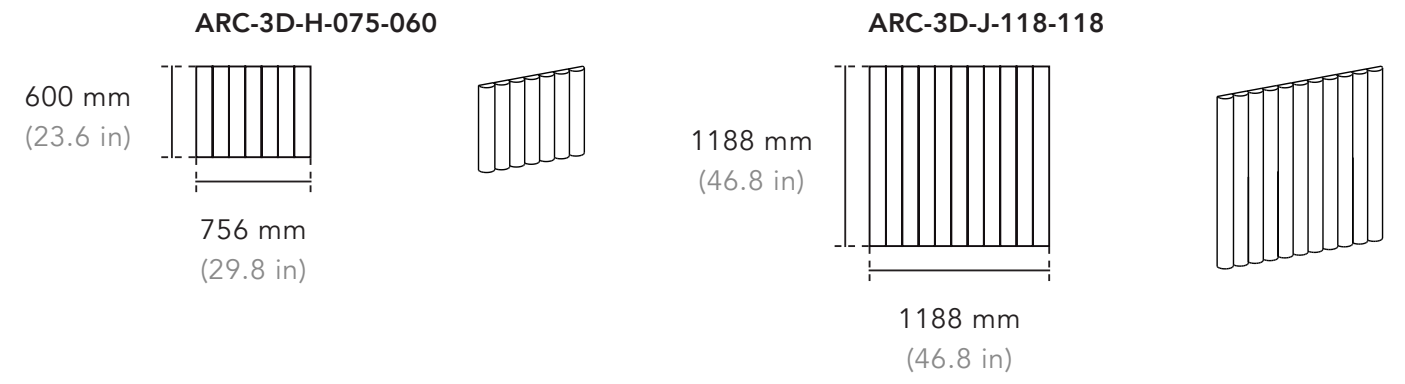
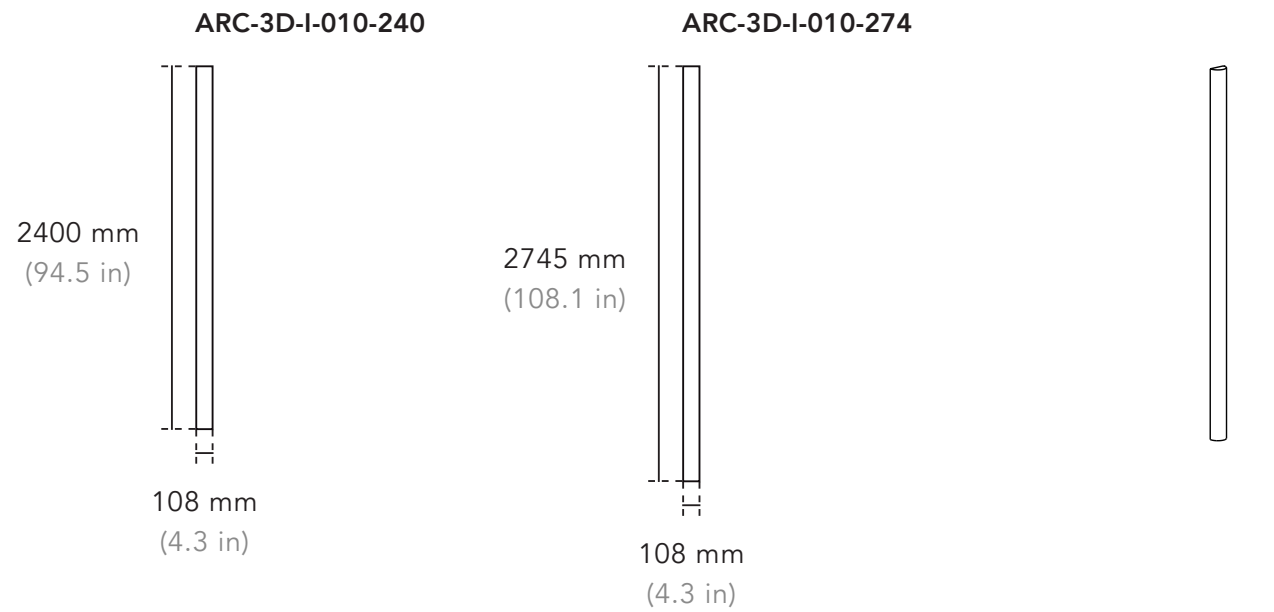
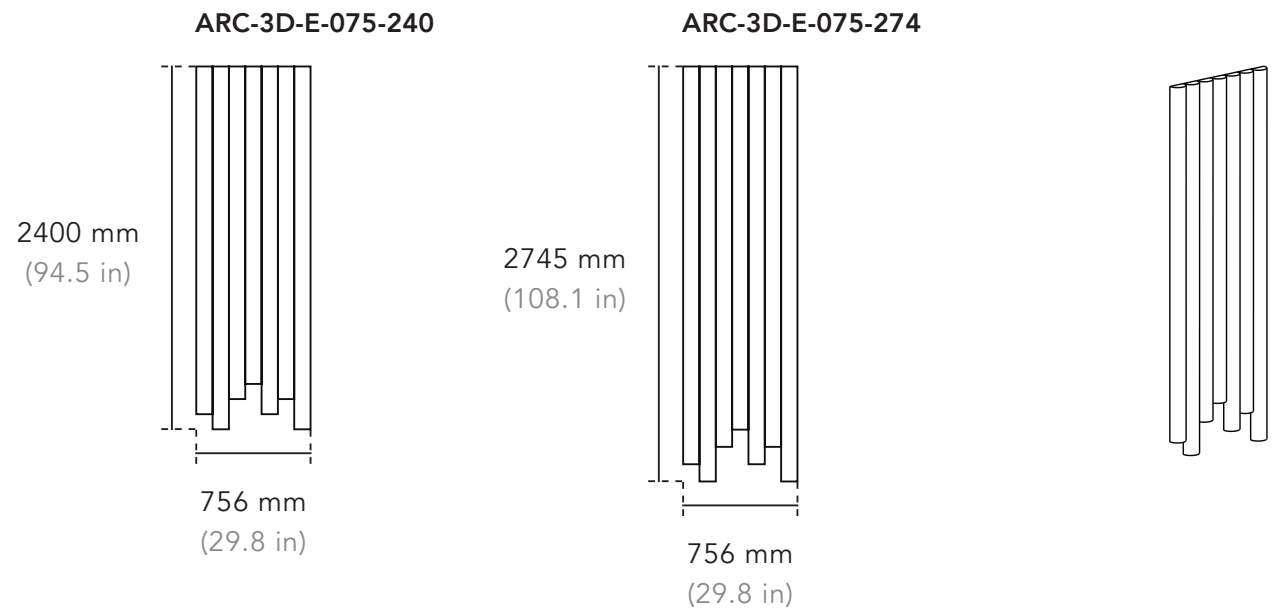
# Dimensions

Available Depth: 65 mm (2.6 in)

\* Custom shape and size available. See Customization page for more information.



# Dimensions



# Product Data

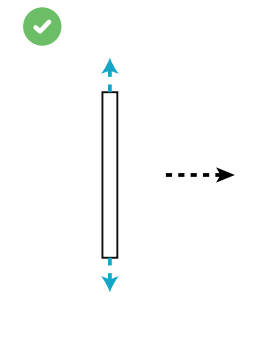
Product Code	Width x Height	Depth	Weight
ARC-3D-A-075-240	756 x 2400 mm 29.8 x 94.5 in	65 mm 2.6 in	4.3 kg 9.5 lb
ARC-3D-A-075-274	756 x 2745 mm 29.8 x 108.1 in	65 mm 2.6 in	4.9 kg 10.8 lb
ARC-3D-B-075-240	756 x 2400 mm 29.8 x 94.5 in	65 mm 2.6 in	4.1 kg 9 lb
ARC-3D-B-075-274	756 x 2745 mm 29.8 x 108.1 in	65 mm 2.6 in	4.7 kg 10.4 lb
ARC-3D-C-075-240	756 x 2400 mm 29.8 x 94.5 in	65 mm 2.6 in	4.8 kg 10.6 lb
ARC-3D-C-075-274	756 x 2745 mm 29.8 x 108.1 in	65 mm 2.6 in	5.5 kg 12.1 lb
ARC-3D-D-075-240	756 x 2400 mm 29.8 x 94.5 in	65 mm 2.6 in	4.5 kg 9.9 lb
ARC-3D-D-075-274	756 x 2745 mm 29.8 x 108.1 in	65 mm 2.6 in	5.2 kg 11.5 lb
ARC-3D-E-075-240	756 x 2400 mm 29.8 x 94.5 in	65 mm 2.6 in	4.5 kg 9.9 lb
ARC-3D-E-075-274	756 x 2745 mm 29.8 x 108.1 in	65 mm 2.6 in	5.2 kg 11.5 lb

# Product Data

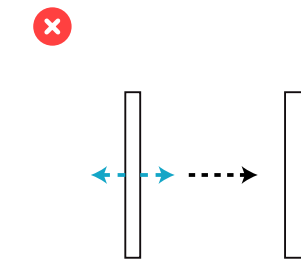
Product Code	Width x Height	Depth	Weight
ARC-3D-F-075-090	756 x 900 mm 29.8 x 35.4 in	65 mm 2.6 in	1.2 kg 2.6 lb
ARC-3D-G-075-090	756 x 900 mm 29.8 x 35.4 in	65 mm 2.6 in	1.2 kg 2.6 lb
ARC-3D-H-075-060	756 x 600 mm 29.8 x 23.6 in	65 mm 2.6 in	1.2 kg 2.6 lb
ARC-3D-I-010-240	108 x 2400 mm 4.3 x 94.5 in	65 mm 2.6 in	0.7 kg 1.5 lb
ARC-3D-I-010-274	108 x 2745 mm 4.3 x 108.1 in	65 mm 2.6 in	0.8 kg 1.8 lb
ARC-3D-J-118-118	1188 x 1188 mm 46.8 x 46.8 in	65 mm 2.6 in	3.7 kg 8.2 lb

# Customization

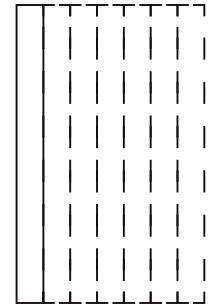
## Bands & Modules



The height of an individual band can be adjusted.

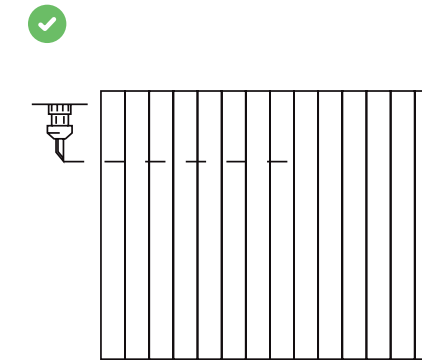


The width of an individual band cannot be adjusted.

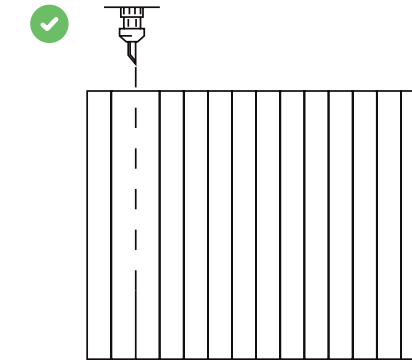


A module is composed of multiple bands (up to 7). Its width can be adjusted by adding or removing bands.

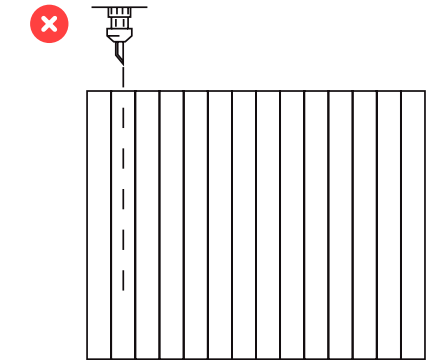
## Module Customization



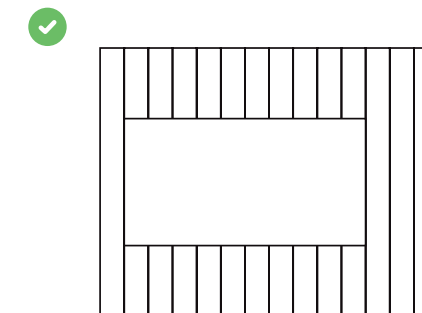
Panels cannot be cut on-site but can be cut horizontally by the manufacturer.



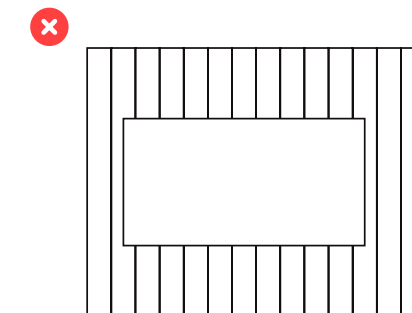
Panels can be cut vertically by the manufacturer where bands meet.



Panels cannot be cut vertically within a band.



Cut-outs can be made by the manufacturer by removing sections of bands.

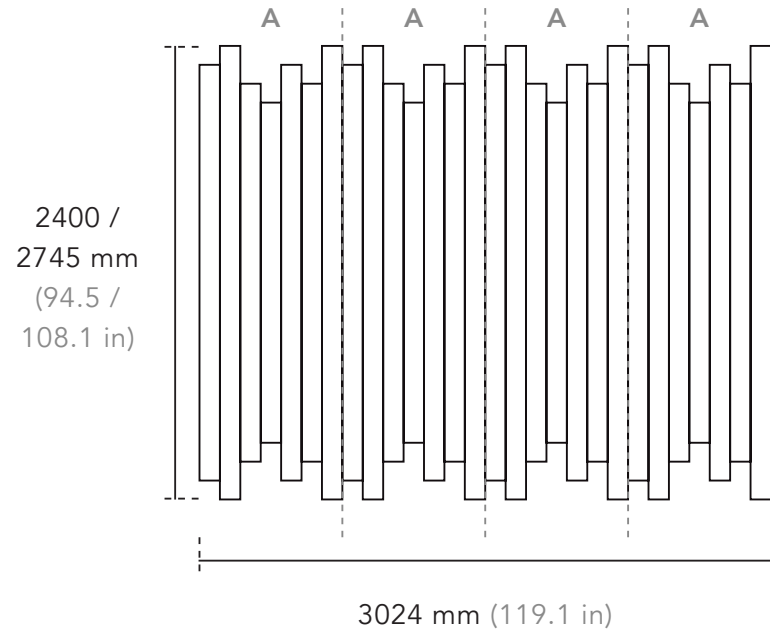


Cut-outs cannot be made by cutting into the bands.

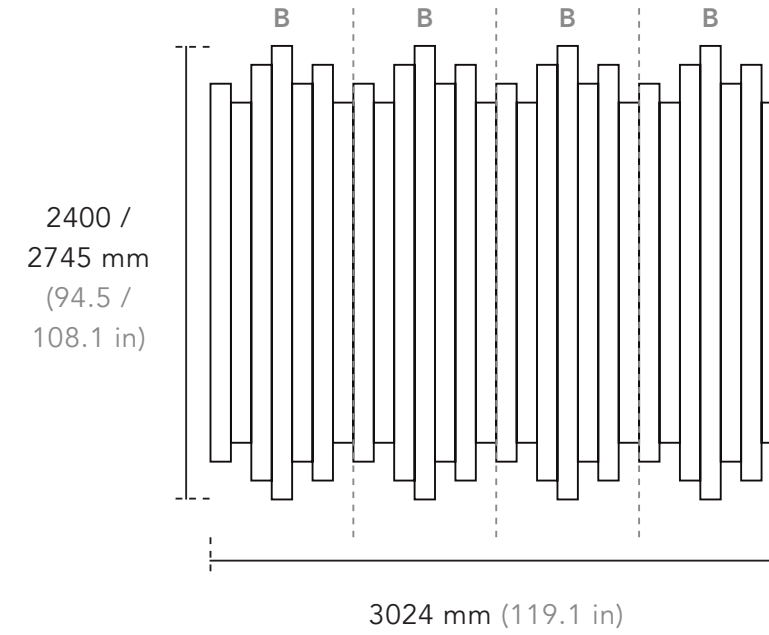
# Configurations

\* Custom configurations available.

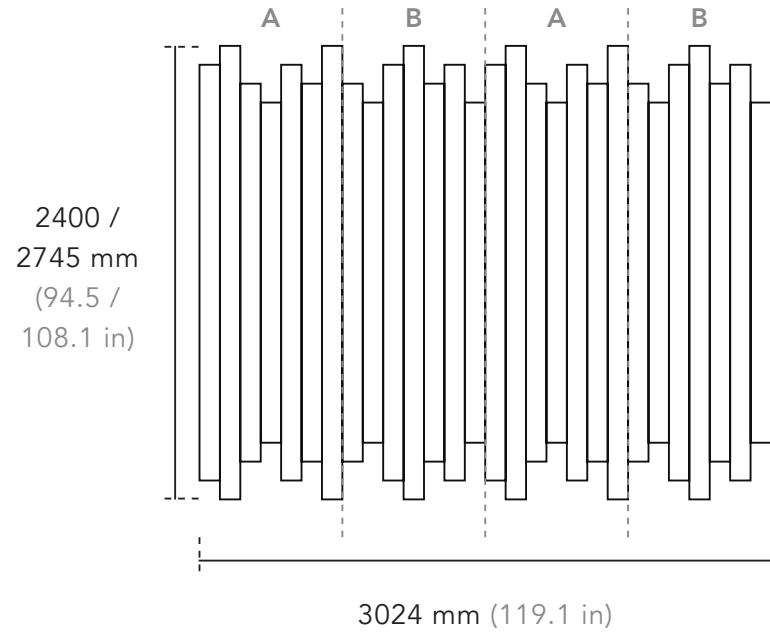
**Configuration 1**



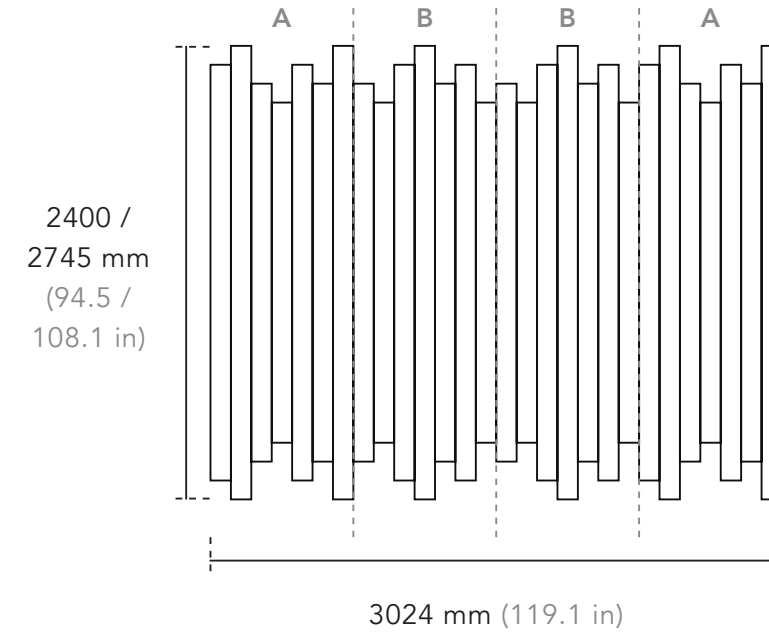
**Configuration 2**



**Configuration 3**



**Configuration 4**



# Specifications

<b>Product Name</b>	Arcus 3D Panel
<b>Composition</b>	100% polyester fibre
<b>Fire Rating</b>	<ul style="list-style-type: none"> <li>• ASTM E84 Class A</li> <li>• CAN/ULC-S102.2-10</li> </ul>
<b>VOC Emissions</b>	CDPH (CA 01350)
<b>Antimicrobial Testing</b>	Mould & mildew resistant
<b>Sustainability</b>	<ul style="list-style-type: none"> <li>• 100% recyclable</li> <li>• LBC Red List free</li> <li>• Contributes to LEED certification</li> <li>• Free of toxic substances and of off-gassing</li> <li>• Made with ~60% recycled content from plastic water bottles</li> </ul>
<b>How to Specify</b>	<ul style="list-style-type: none"> <li>• Product Name &amp; Code</li> <li>• Dimensions</li> <li>• Colour</li> <li>• Installation Method</li> </ul>

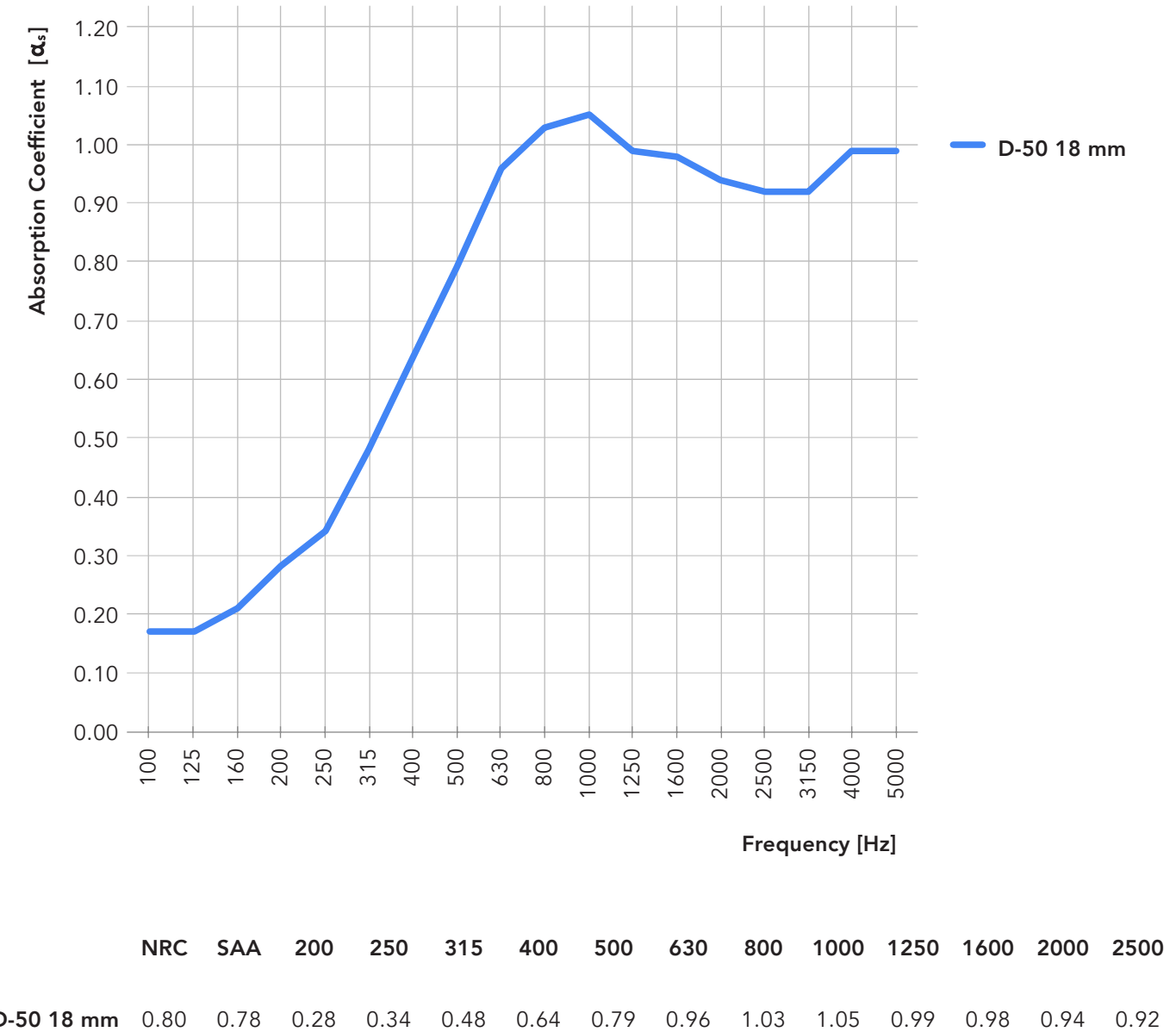
## Colour & Texture Variations

The felting and dyeing process that forms the material contributes to its unique texture but also to variations in texture and colour from panel to panel. Products will be provided within an acceptable range of variation.



# Acoustic Properties

The following values reflect the acoustic properties of the product as tested in accordance with ASTM C423-09a using Type D-50 mounting.

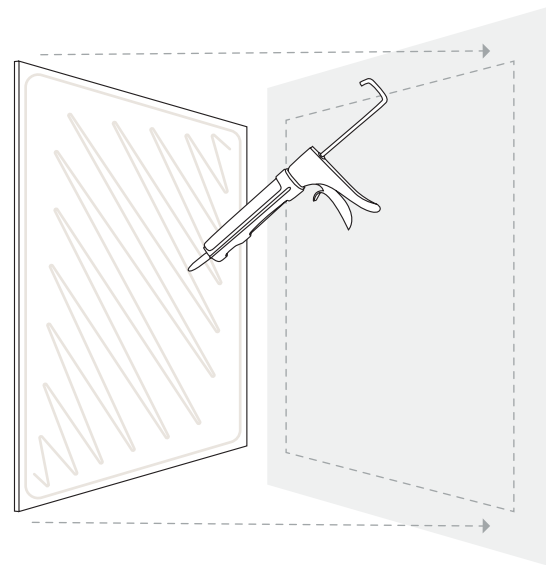
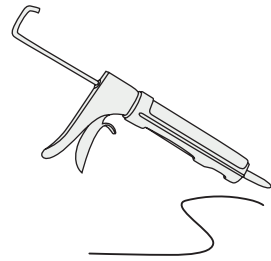




# Installation

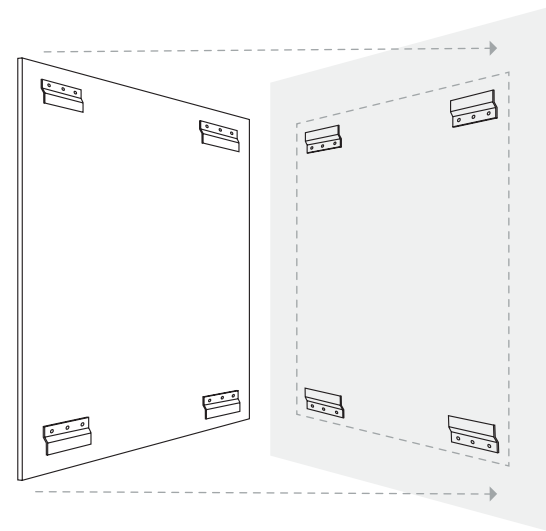
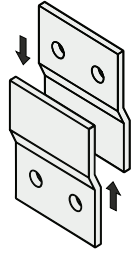
Specify one of the following options at the time of ordering.

## Construction Adhesive

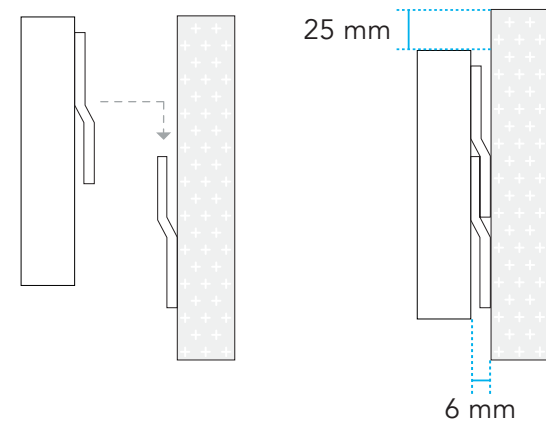


- By others
- Recommendation
- Liquid Nails Heavy Duty (Low VOC) LN-903
- Alternatives
- LePage PL Premium
  - LePage PL Premium Max
  - LePage No More Nails Heavy Duty
  - LePage No More Nails Ultimate Crystal Clear
  - (At your discretion, other construction adhesive may be used but should be tested for effectiveness)

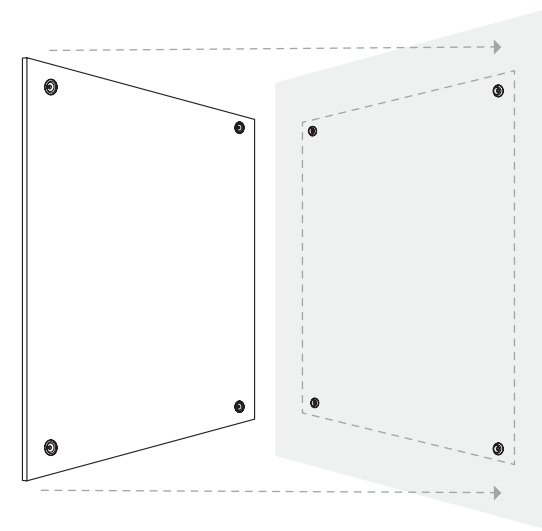
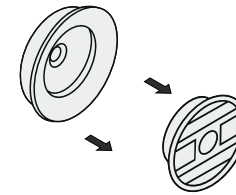
## Z-clips (KT-ZCLP-00)



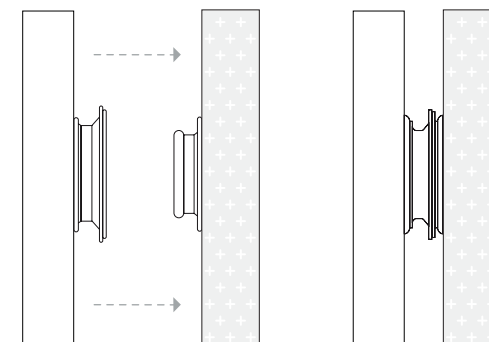
- 6 mm (1/4 in) projection from the wall
- 25 mm (1 in) clearance required above the panel



## Push Mounts (KT-PUSH-00)



- Panels come with mounts pre-installed but receiving mount must be installed on-site



# Product Care

## Handling & Storage

Handle products with care so as to avoid folding the polyester felt, chipping its edges or indenting its faces. Store products in their original containers in a well-ventilated area until the intended application environment is ready for installation. Allow products to acclimatize to environmental conditions. Lay them flat on their faces; do not stand them on their edges. Protect from moisture, heat, direct sunlight and the elements.

## Maintenance

Lightly brush or gently vacuum to remove dust from polyester felt. Clean with warm water and mild, non-toxic soap to remove spills. Test solution on an inconspicuous spot before applying to more visible areas. Blot with a dry cloth after applying the solution to avoid saturating the material. Avoid applying too much pressure when cleaning the products.

## Warranty

AKUSTUS warrants the construction and finish of all our products to be free from defects in material and workmanship for a period of 1 year from the date of purchase.

# Colours

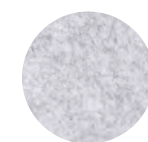
\* 12/24 mm only



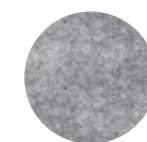
Pure White  
SP 07



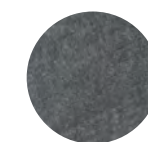
Urban Grey  
SP 79



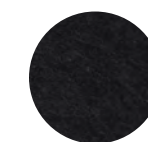
Pumice  
SP 11



Cool Grey  
SP 36



Mid Grey  
SP 37



Black  
SP 13



Ivory  
SP 77



Beige  
SP 04



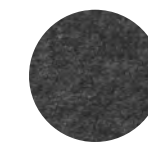
Sandstone  
SP 12



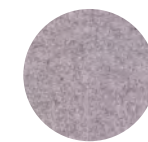
Taupe Grey \*  
SP 90



Warm Grey  
SP 76



Graphite  
SP 03



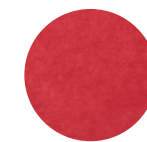
Castlerock \*  
SP 80



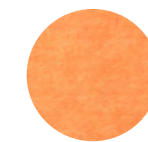
Blush Pink  
SP 81



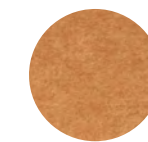
Plum  
SP 72



Red  
SP 08



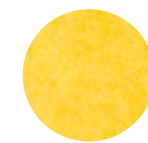
Orange  
SP 46



Yam  
SP 28



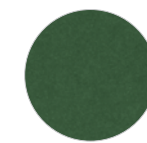
Mustard \*  
SP 87



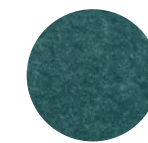
Sunflower  
SP 05



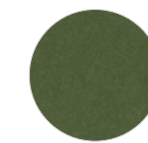
Chartreuse  
SP 43



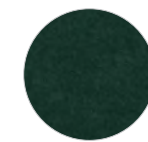
Moss \*  
SP 89



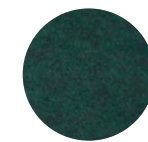
Peacock \*  
SP 82



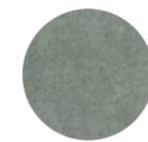
Olive \*  
SP 88



Ocean Green \*  
SP 86



Forest Green  
SP 17



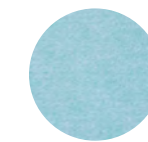
Desert Sage  
SP 78



Deep Sea Blue \*  
SP 83



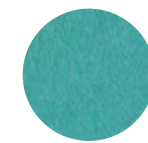
Krypton  
SP 30



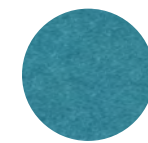
Pale Teal  
SP 74



Lagoon \*  
SP 84



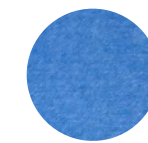
Aquamarine  
SP 73



Dark Turquoise  
SP 71



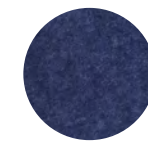
Azure \*  
SP 85



Sky Blue  
SP 25



Navy  
SP 01



Midnight Blue  
SP 19



Purple  
SP 50