

Wing Baffle

BY AKUSTUS DESIGNS



[AKUSTUS.COM](https://www.akustus.com)

[INFO@AKUSTUS.COM](mailto:info@akustus.com)



Make a clear statement and cut through the noise with the **Wing Baffle**. Suspend it from the ceiling to reduce reverb and amplify the right vibes in an open office or in a retail store.

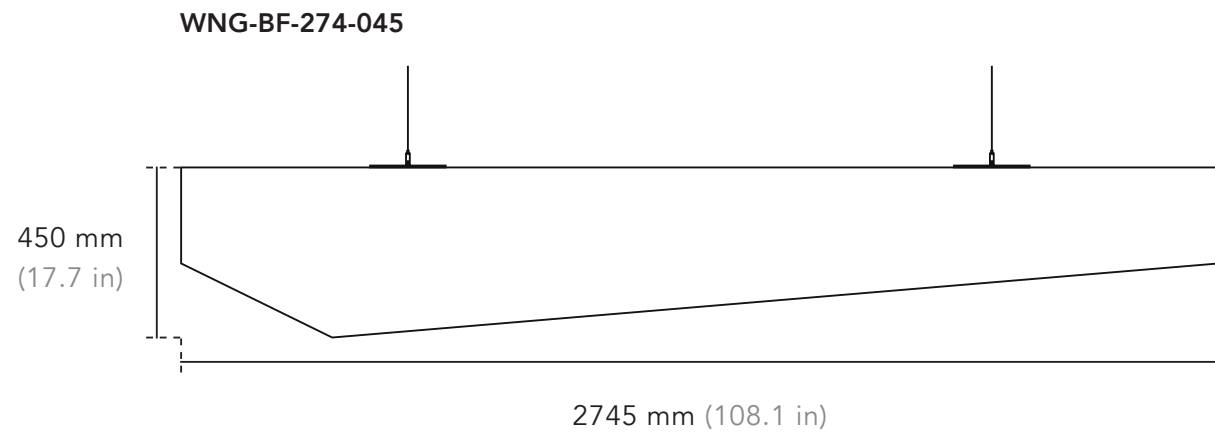
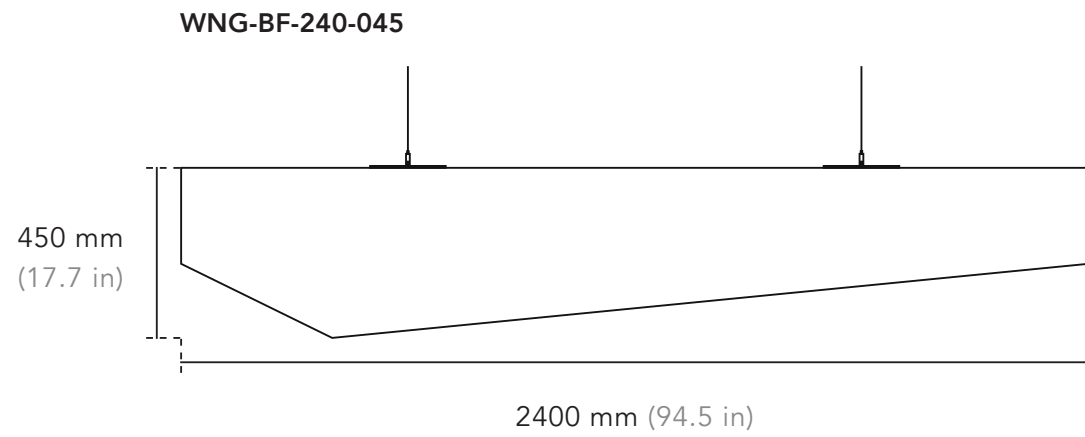
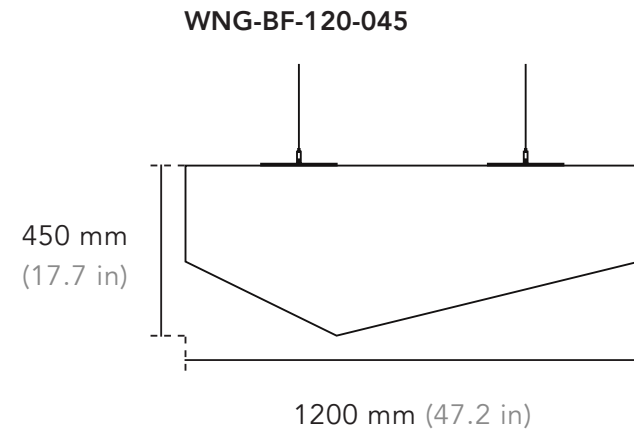
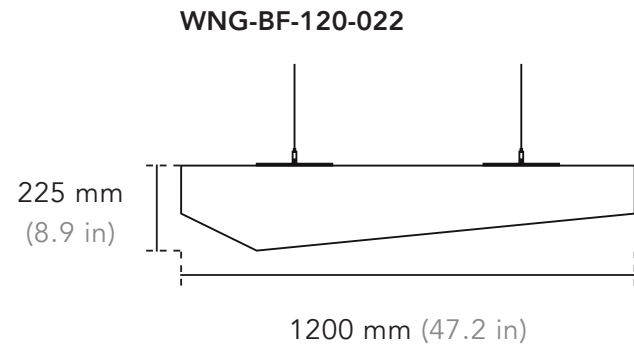


WNG-BF-240-045

Dimensions - Individual Baffles

Available Thicknesses: 12, 18, 24 mm (0.5, 0.7, 0.9 in)

* Custom shape and size available.



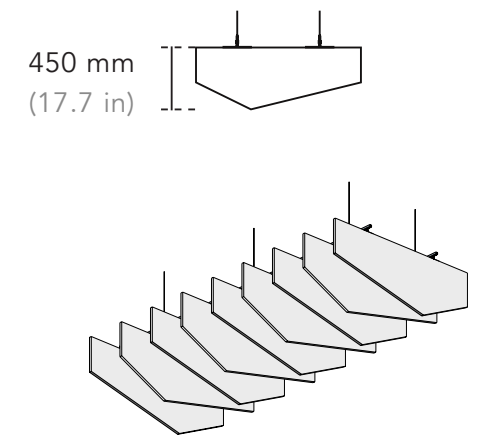
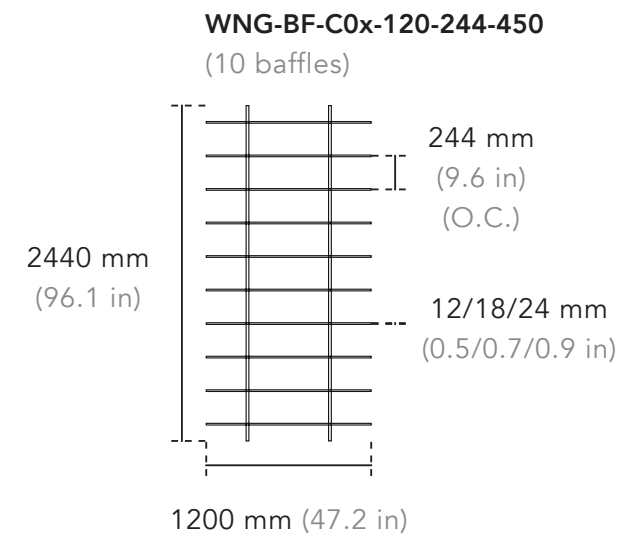
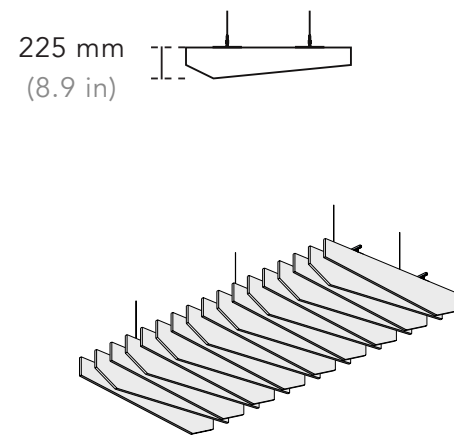
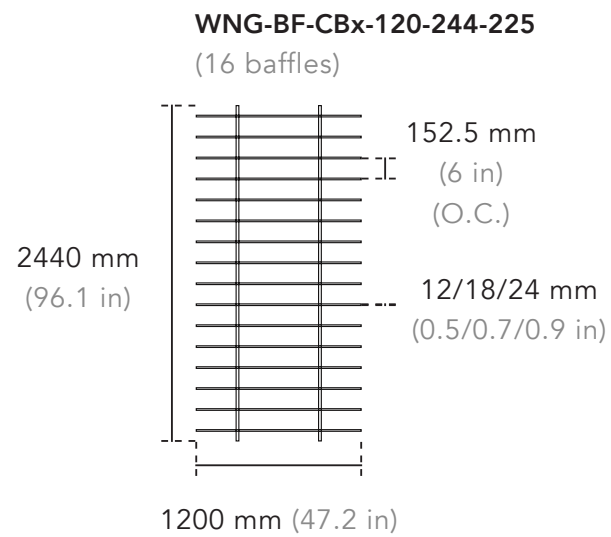
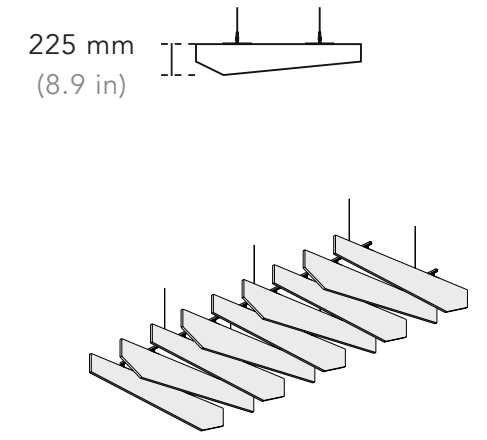
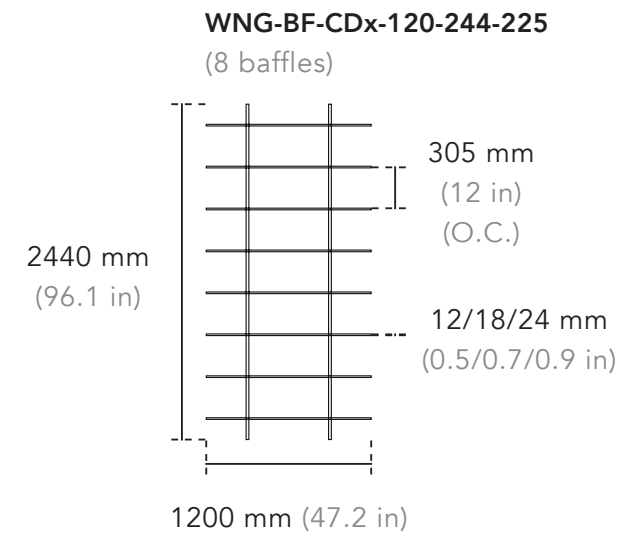
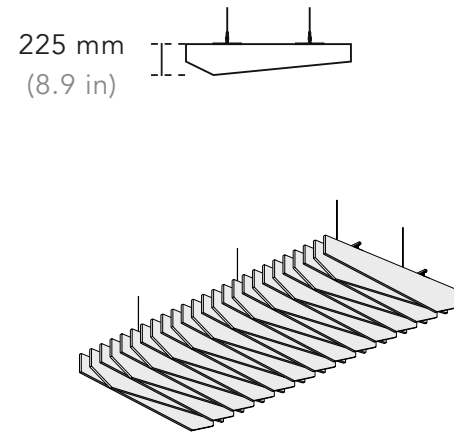
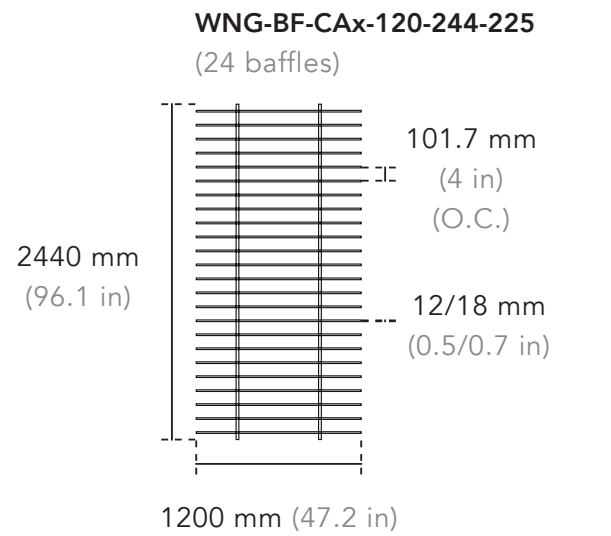
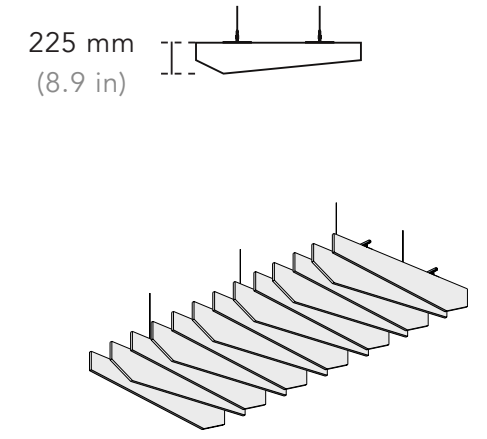
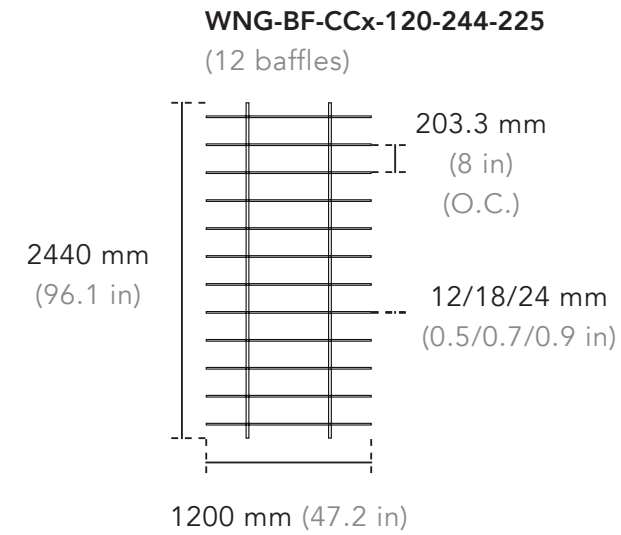
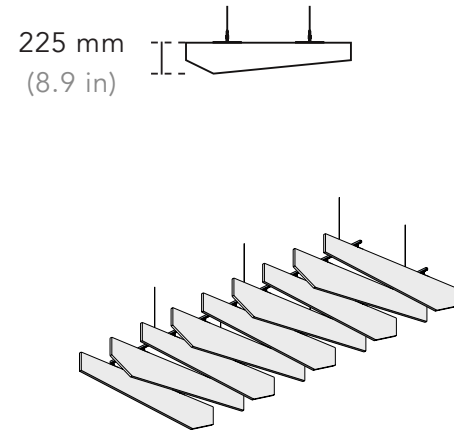
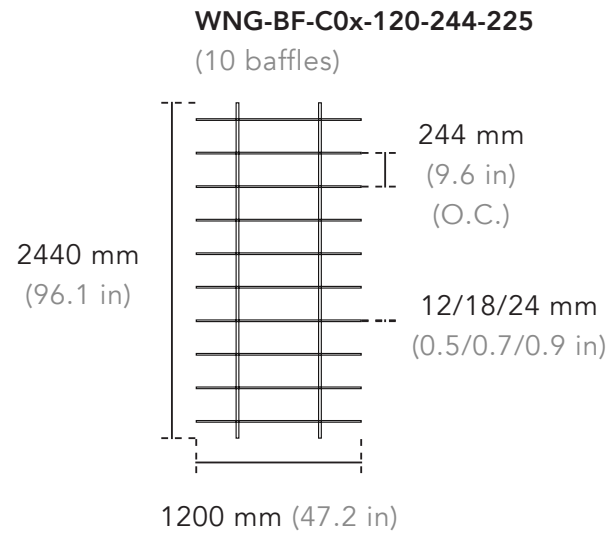
Product Data

Product Code	Width x Height	Thickness	Weight
WNG-BF-120-022	1200 x 225 mm 47.2 x 8.9 in	12, 18, 24 mm 0.5, 0.7, 0.9 in	0.5, 0.8, 1.1 kg 1.1, 1.8, 2.4 lb
WNG-BF-120-045	1200 x 450 mm 47.2 x 17.7 in	12, 18, 24 mm 0.5, 0.7, 0.9 in	1.1, 1.7, 2.1 kg 2.4, 3.7, 4.6 lb
WNG-BF-240-045	2400 x 450 mm 94.5 x 17.7 in	12, 18, 24 mm 0.5, 0.7, 0.9 in	2.1, 3.4, 4.2 kg 4.6, 7.5, 9.3 lb
WNG-BF-274-045	2745 x 450 mm 108.1 x 17.7 in	12, 18, 24 mm 0.5, 0.7, 0.9 in	2.4, 3.9, 4.8 kg 5.3, 8.6, 10.6 lb

Dimensions - Baffle Cloud

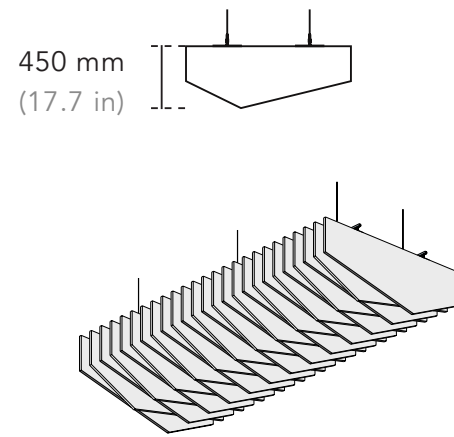
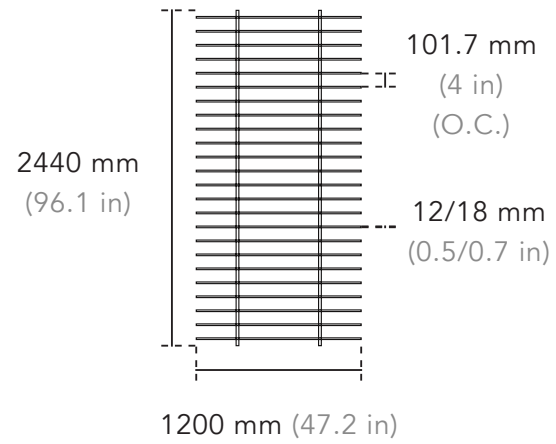
Available Baffle Thicknesses: 12, 18, 24 mm (0.5, 0.7, 0.9 in)

* Custom cloud size and spacing width available.

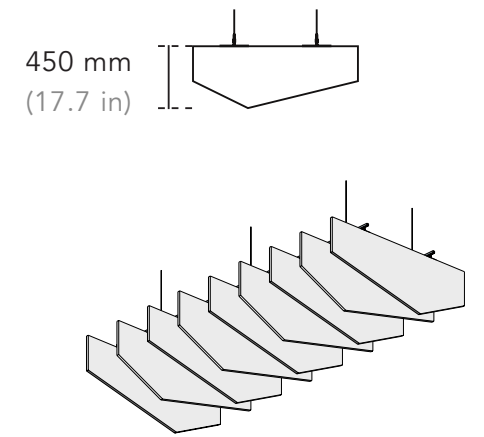
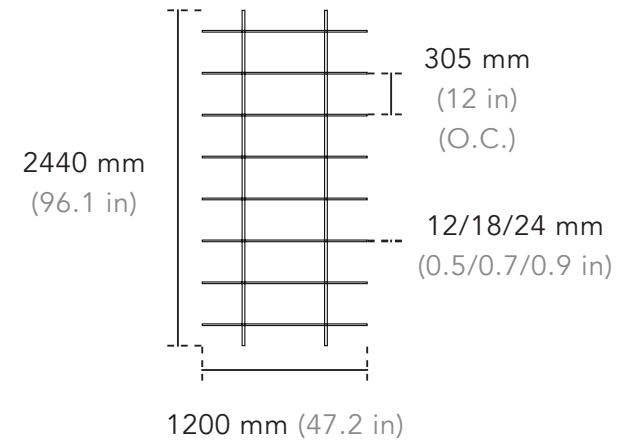


Dimensions - Baffle Cloud

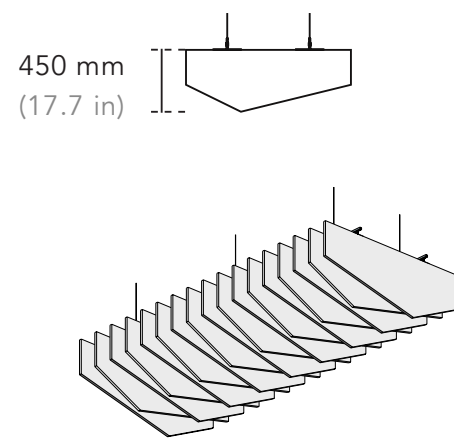
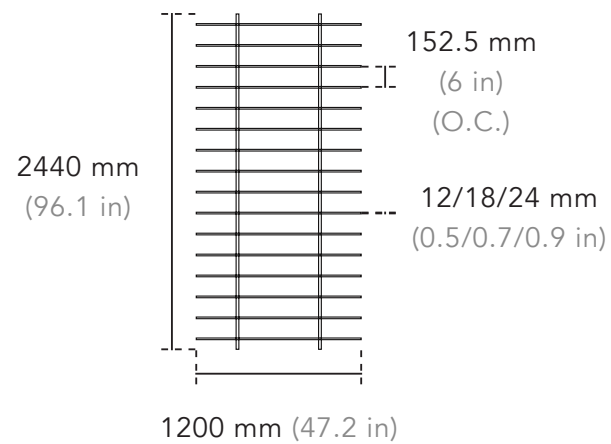
WNG-BF-CAx-120-244-450
(24 baffles)



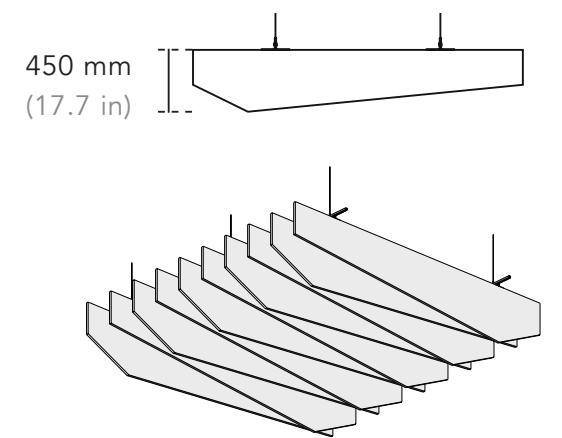
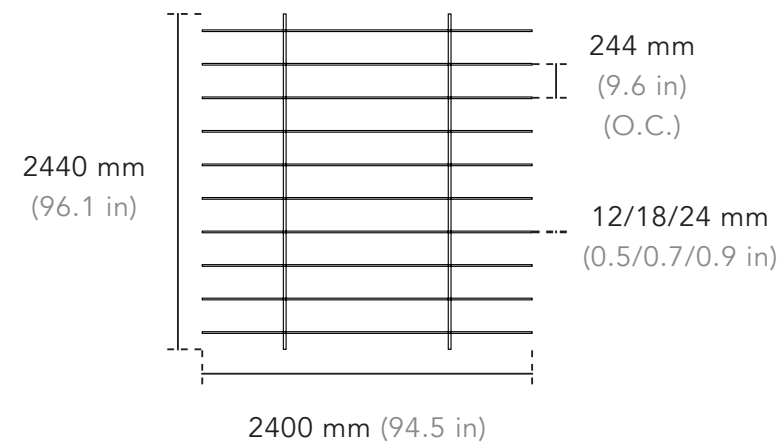
WNG-BF-CDx-120-244-450
(8 baffles)



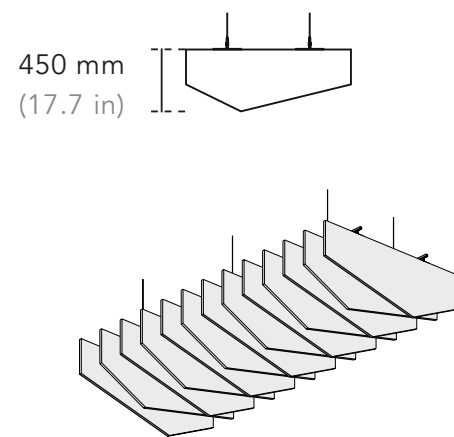
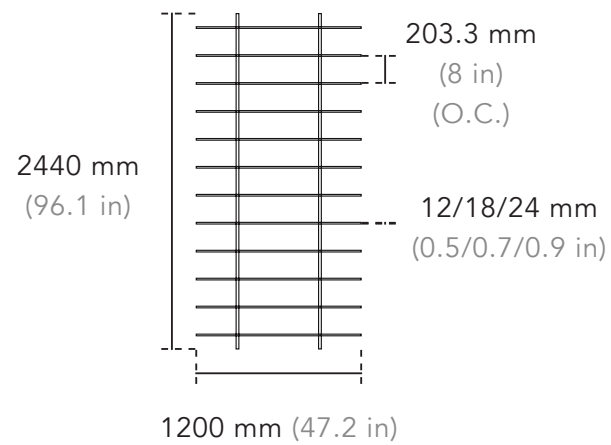
WNG-BF-CBx-120-244-450
(16 baffles)



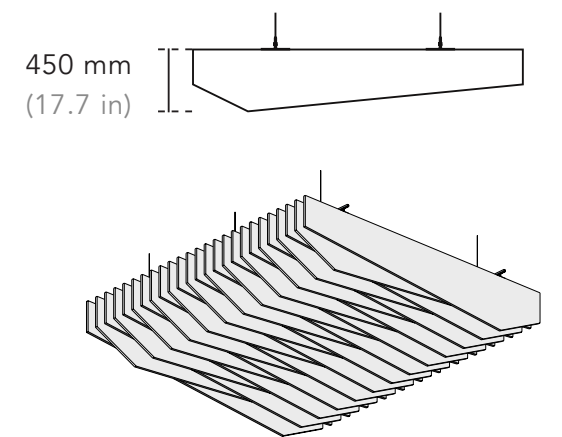
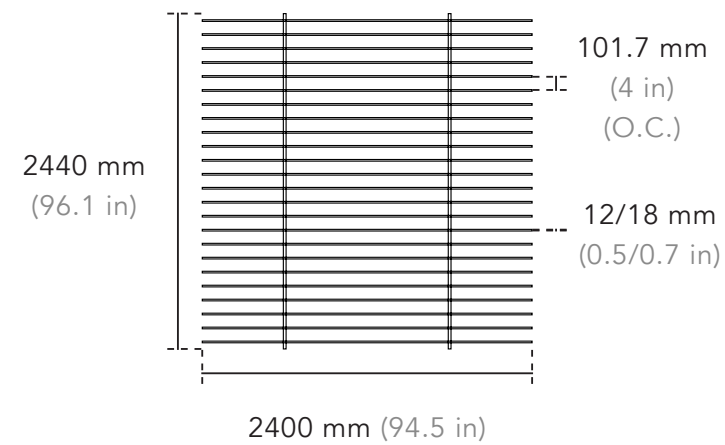
WNG-BF-C0x-240-244
(10 baffles)



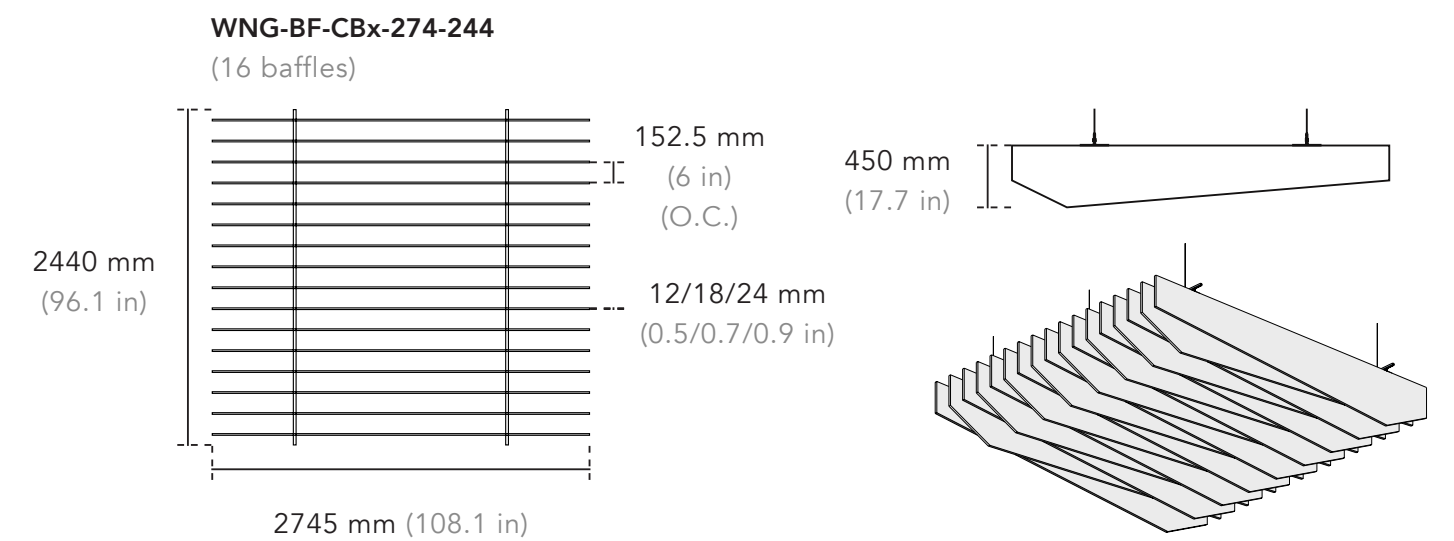
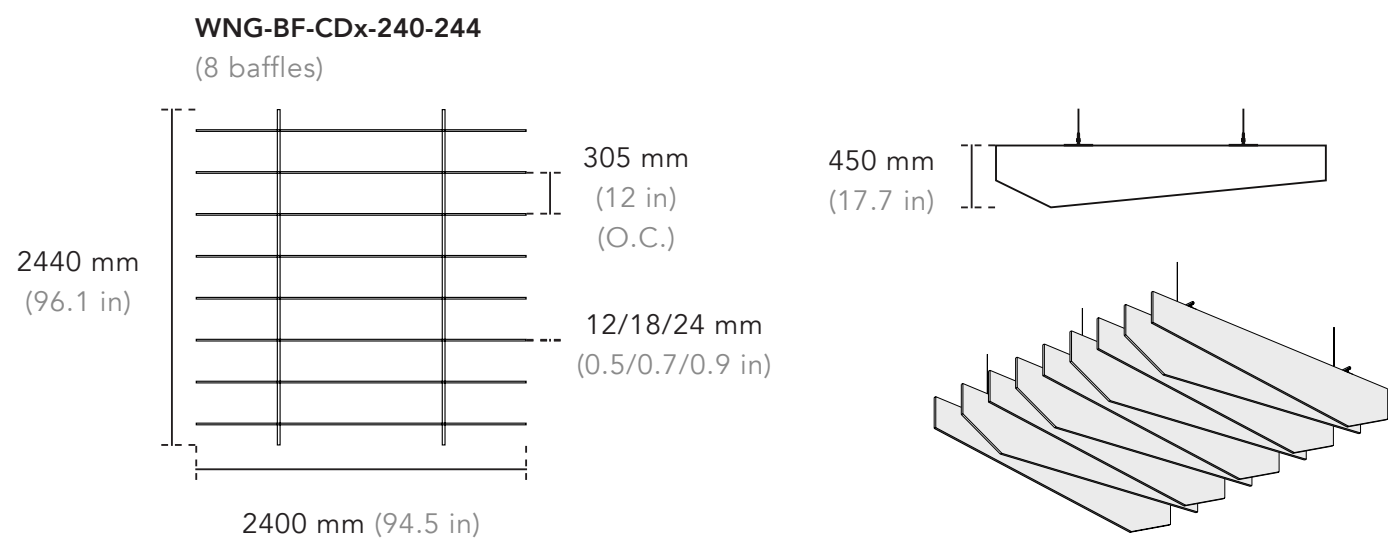
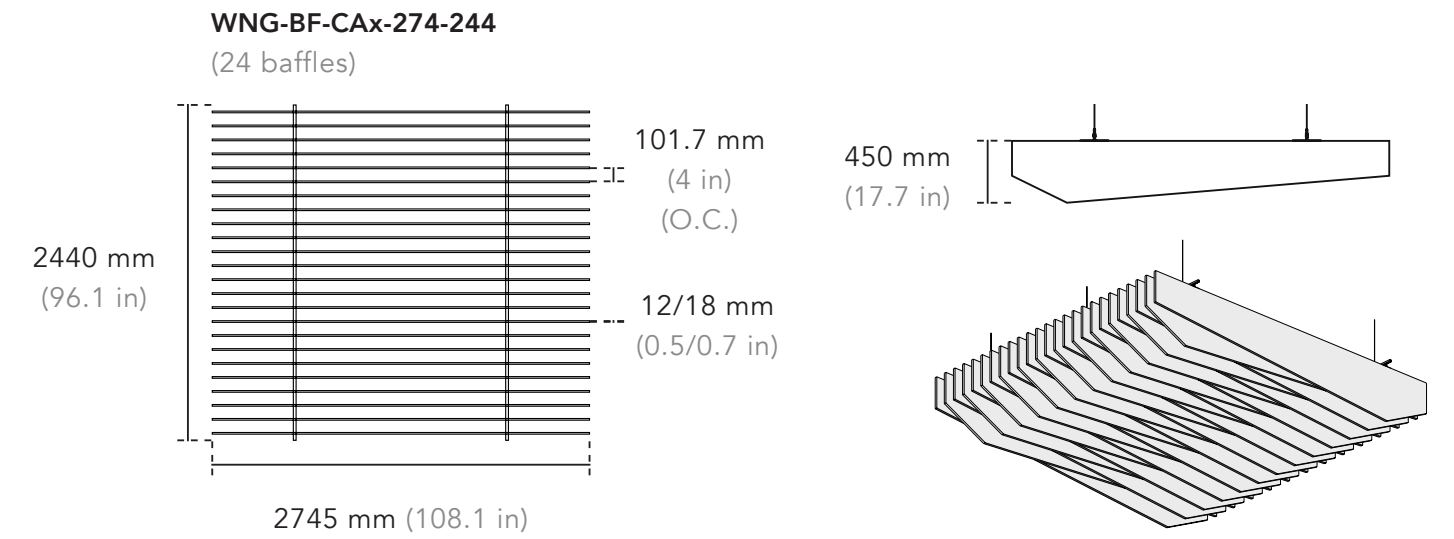
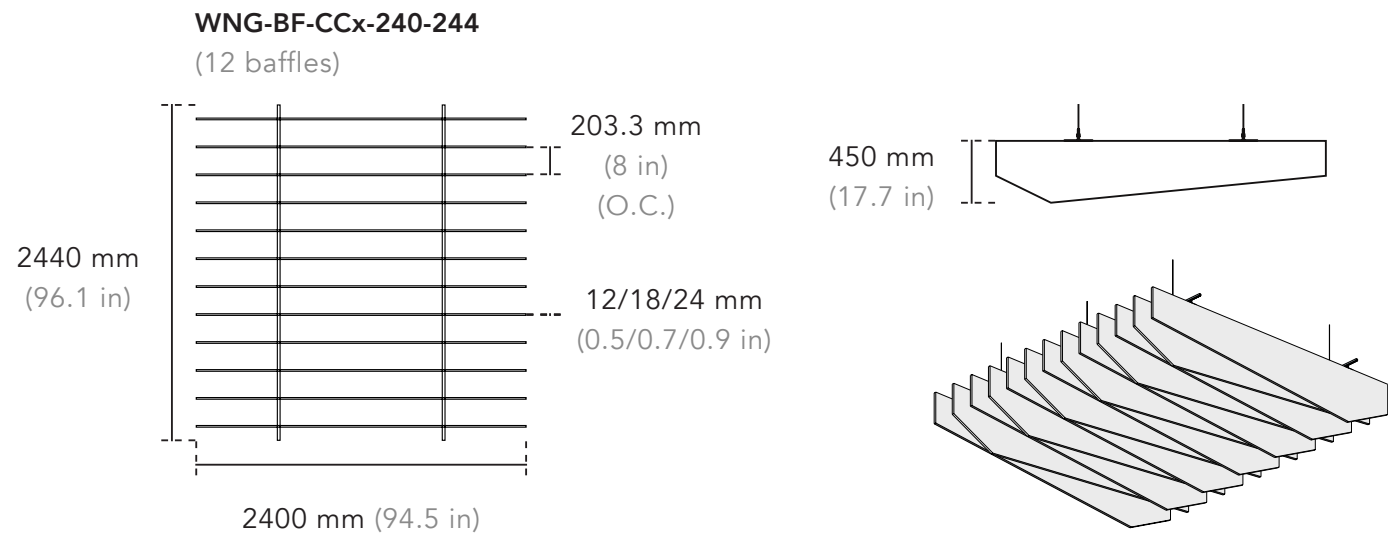
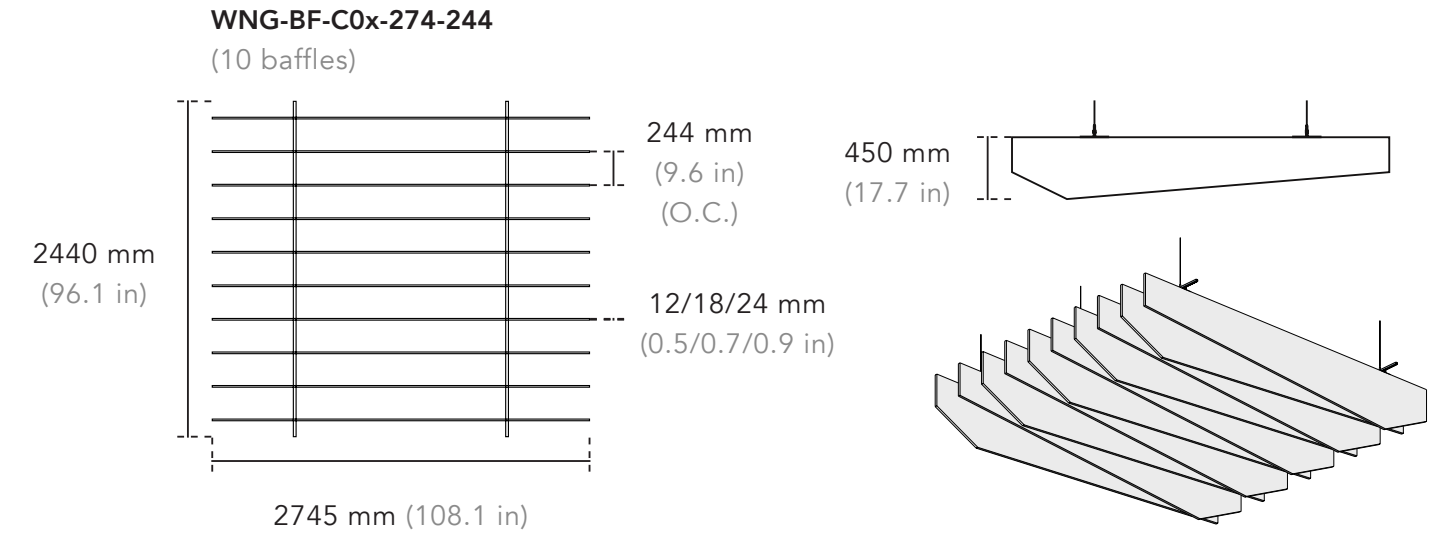
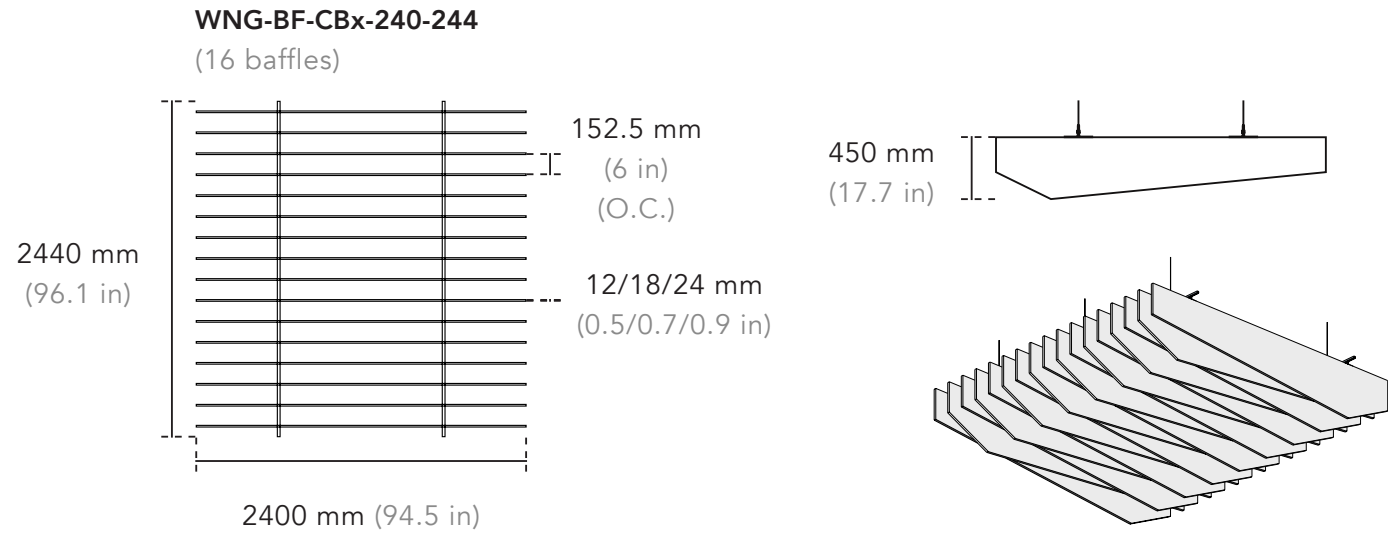
WNG-BF-CCx-120-244-450
(12 baffles)



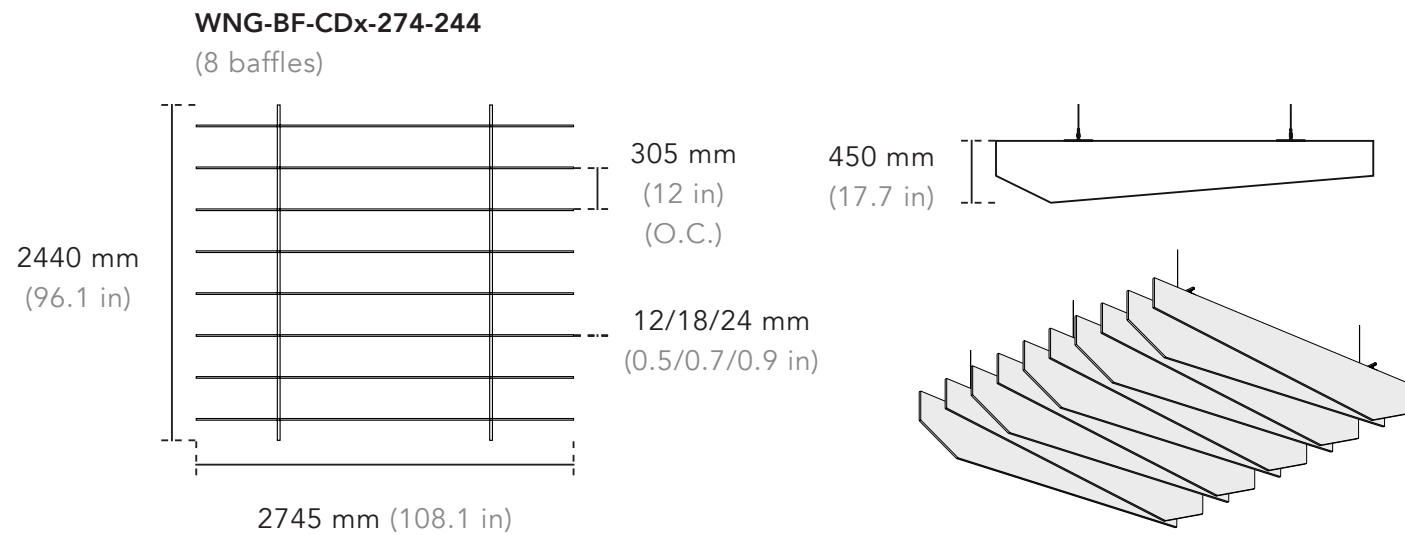
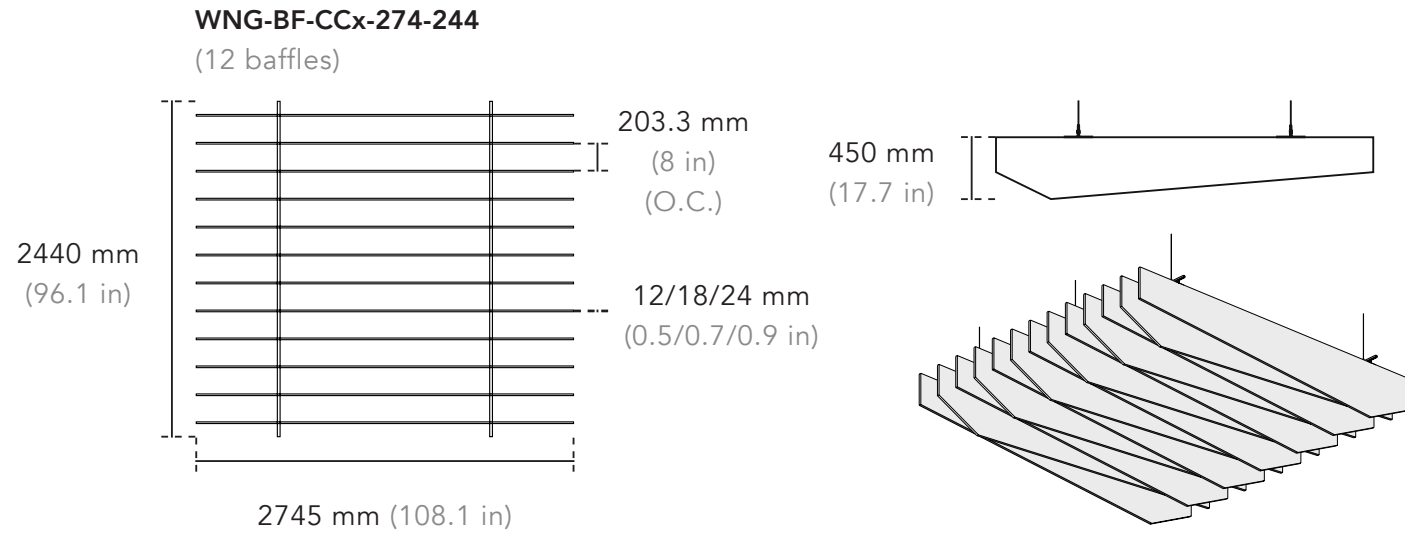
WNG-BF-CAx-240-244
(24 baffles)



Dimensions - Baffle Cloud



Dimensions - Baffle Cloud

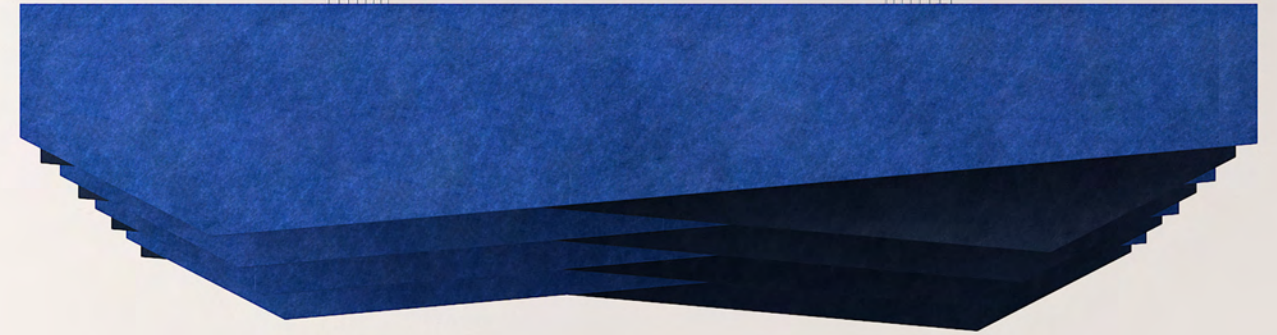


Product Data

Product Code	Width x Length x Height	Spacing	Thickness	Weight
WNG-BF-C0x-120-244-225	1200 x 2440 x 225 mm 47.2 x 96.1 x 8.9 in	244 mm 9.6 in	12, 18, 24 mm 0.5, 0.7, 0.9 in	6.8, 9.9, 12.1 kg 15, 21.8, 26.7 lb
WNG-BF-C0x-120-244-450	1200 x 2440 x 450 mm 47.2 x 96.1 x 17.7 in	244 mm 9.6 in	12, 18, 24 mm 0.5, 0.7, 0.9 in	12.1, 18.4, 22.6 kg 26.7, 40.6, 49.8 lb
WNG-BF-C0x-240-244	2400 x 2440 x 450 mm 94.5 x 96.1 x 17.7 in	244 mm 9.6 in	12, 18, 24 mm 0.5, 0.7, 0.9 in	22.6, 35.3, 43.7 kg 49.8, 77.8, 96.3 lb
WNG-BF-C0x-274-244	2745 x 2440 x 450 mm 108.1 x 96.1 x 17.7 in	244 mm 9.6 in	12, 18, 24 mm 0.5, 0.7, 0.9 in	25.7, 40.1, 49.8 kg 56.7, 88.4, 109.8 lb
WNG-BF-CAx-120-244-225	1200 x 2440 x 225 mm 47.2 x 96.1 x 8.9 in	101.7 mm 4 in	12, 18 mm 0.5, 0.7 in	14.2, 21.8 kg 31.3, 48.1 lb
WNG-BF-CAx-120-244-450	1200 x 2440 x 450 mm 47.2 x 96.1 x 17.7 in	101.7 mm 4 in	12, 18 mm 0.5, 0.7 in	26.8, 42.1 kg 59.1, 92.8 lb
WNG-BF-CAx-240-244	2400 x 2440 x 450 mm 94.5 x 96.1 x 17.7 in	101.7 mm 4 in	12, 18 mm 0.5, 0.7 in	52.2, 82.6 kg 115.1, 182.1 lb
WNG-BF-CAx-274-244	2745 x 2440 x 450 mm 108.1 x 96.1 x 17.7 in	101.7 mm 4 in	12, 18 mm 0.5, 0.7 in	59.5, 94.3 kg 131.2, 207.9 lb
WNG-BF-CBx-120-244-225	1200 x 2440 x 225 mm 47.2 x 96.1 x 8.9 in	152.5 mm 6 in	12, 18, 24 mm 0.5, 0.7, 0.9 in	9.9, 15, 18.4 kg 21.8, 33.1, 40.6 lb
WNG-BF-CBx-120-244-450	1200 x 2440 x 450 mm 47.2 x 96.1 x 17.7 in	152.5 mm 6 in	12, 18, 24 mm 0.5, 0.7, 0.9 in	18.4, 28.5, 35.3 kg 40.6, 62.8, 77.8 lb
WNG-BF-CBx-240-244	2400 x 2440 x 450 mm 94.5 x 96.1 x 17.7 in	152.5 mm 6 in	12, 18, 24 mm 0.5, 0.7, 0.9 in	35.3, 55.6, 69.1 kg 77.8, 122.6, 152.3 lb
WNG-BF-CBx-274-244	2745 x 2440 x 450 mm 108.1 x 96.1 x 17.7 in	152.5 mm 6 in	12, 18, 24 mm 0.5, 0.7, 0.9 in	40.1, 63.3, 78.8 kg 88.4, 139.6, 173.7 lb
WNG-BF-CCx-120-244-225	1200 x 2440 x 225 mm 47.2 x 96.1 x 8.9 in	203.3 mm 8 in	12, 18, 24 mm 0.5, 0.7, 0.9 in	7.8, 11.6, 14.2 kg 17.2, 25.6, 31.3 lb
WNG-BF-CCx-120-244-450	1200 x 2440 x 450 mm 47.2 x 96.1 x 17.7 in	203.3 mm 8 in	12, 18, 24 mm 0.5, 0.7, 0.9 in	14.2, 21.8, 26.8 kg 31.3, 48.1, 59.1 lb
WNG-BF-CCx-240-244	2400 x 2440 x 450 mm 94.5 x 96.1 x 17.7 in	203.3 mm 8 in	12, 18, 24 mm 0.5, 0.7, 0.9 in	26.8, 42.1, 52.2 kg 59.1, 92.8, 115.1 lb

Product Data

Product Code	Width x Length x Height	Spacing	Thickness	Weight
WNG-BF- CCx-274-244	2745 x 2440 x 450 mm 108.1 x 96.1 x 17.7 in	203.3 mm 8 in	12, 18, 24 mm 0.5, 0.7, 0.9 in	30.5, 47.9, 59.5 kg 67.2, 105.6, 131.2 lb
WNG-BF- CDx-120-244-225	1200 x 2440 x 225 mm 47.2 x 96.1 x 8.9 in	305 mm 12 in	12, 18, 24 mm 0.5, 0.7, 0.9 in	5.7, 8.3, 9.9 kg 12.6, 18.3, 21.8 lb
WNG-BF- CDx-120-244-450	1200 x 2440 x 450 mm 47.2 x 96.1 x 17.7 in	305 mm 12 in	12, 18, 24 mm 0.5, 0.7, 0.9 in	9.9, 15, 18.4 kg 21.8, 33.1, 40.6 lb
WNG-BF- CDx-240-244	2400 x 2440 x 450 mm 94.5 x 96.1 x 17.7 in	305 mm 12 in	12, 18, 24 mm 0.5, 0.7, 0.9 in	18.4, 28.5, 35.3 kg 40.6, 62.8, 77.8 lb
WNG-BF- CDx-274-244	2745 x 2440 x 450 mm 108.1 x 96.1 x 17.7 in	305 mm 12 in	12, 18, 24 mm 0.5, 0.7, 0.9 in	20.8, 32.4, 40.1 kg 45.9, 71.4, 88.4 lb



Specifications

Product Name	Wing Baffle
Composition	100% polyester fibre
Edge Detail	Square edge
Fire Rating	<ul style="list-style-type: none"> • ASTM E84 Class A • CAN/ULC-S102.2-10
VOC Emissions	CDPH (CA 01350)
Antimicrobial Testing	Mould & mildew resistant
Sustainability	<ul style="list-style-type: none"> • 100% recyclable • LBC Red List free • Contributes to LEED certification • Free of toxic substances and of off-gassing • Made with ~60% recycled content from plastic water bottles

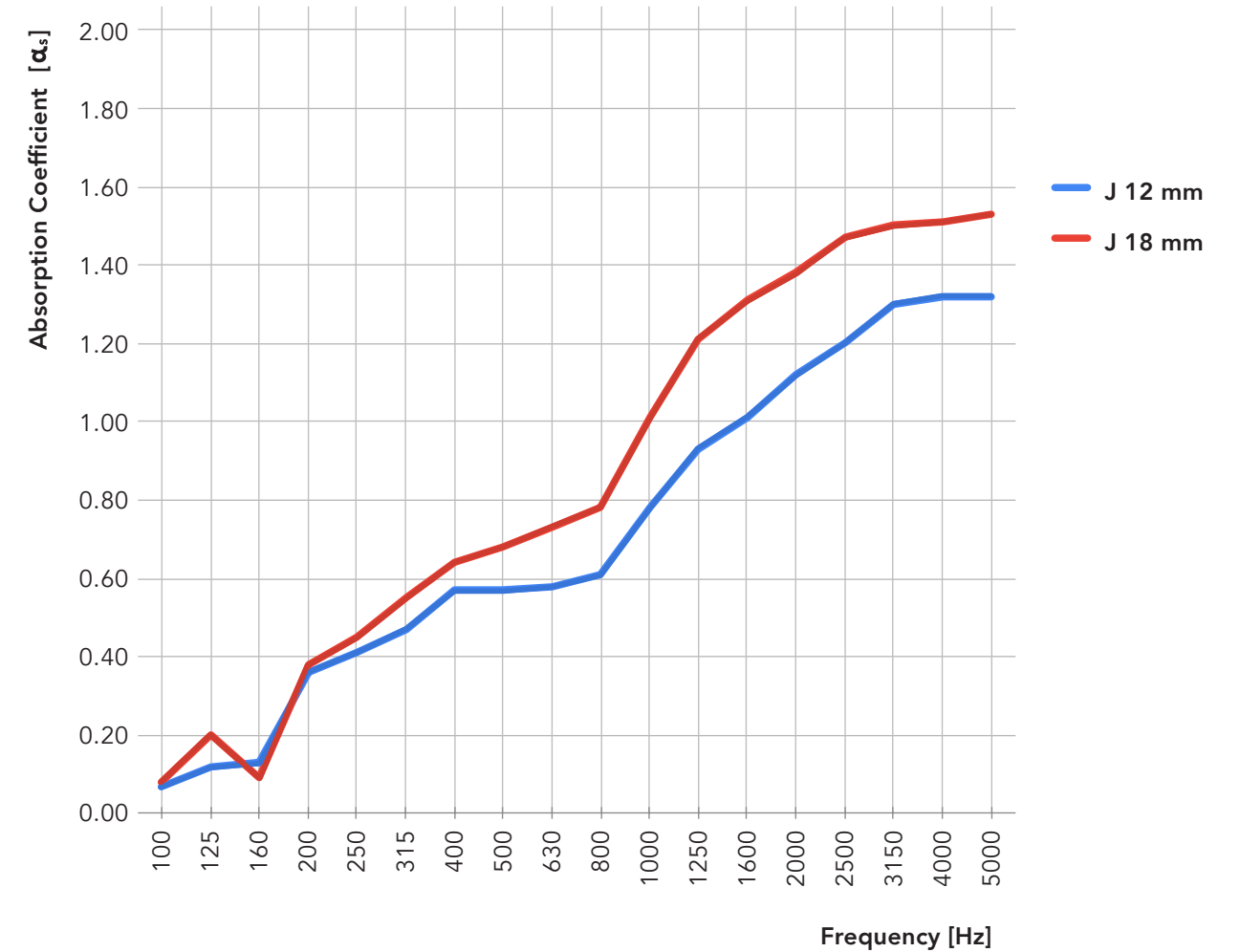
How to Specify	<ul style="list-style-type: none"> • Product Name & Code • Dimensions • Colour • Installation Method
-----------------------	--

Colour & Texture Variations The felting and dyeing process that forms the material contributes to its unique texture but also to variations in texture and colour from panel to panel. Products will be provided within an acceptable range of variation.



Acoustic Properties

The following values reflect the acoustic properties of the product as tested in accordance with ASTM C423-09a using Type J mounting.



	NRC	SAA	200	250	315	400	500	630	800	1000	1250	1600	2000	2500
J 12 mm	0.70	0.72	0.36	0.41	0.47	0.57	0.57	0.58	0.61	0.78	0.93	1.01	1.12	1.20
J 18 mm	0.90	0.88	0.38	0.45	0.55	0.64	0.68	0.73	0.78	1.01	1.21	1.31	1.38	1.47

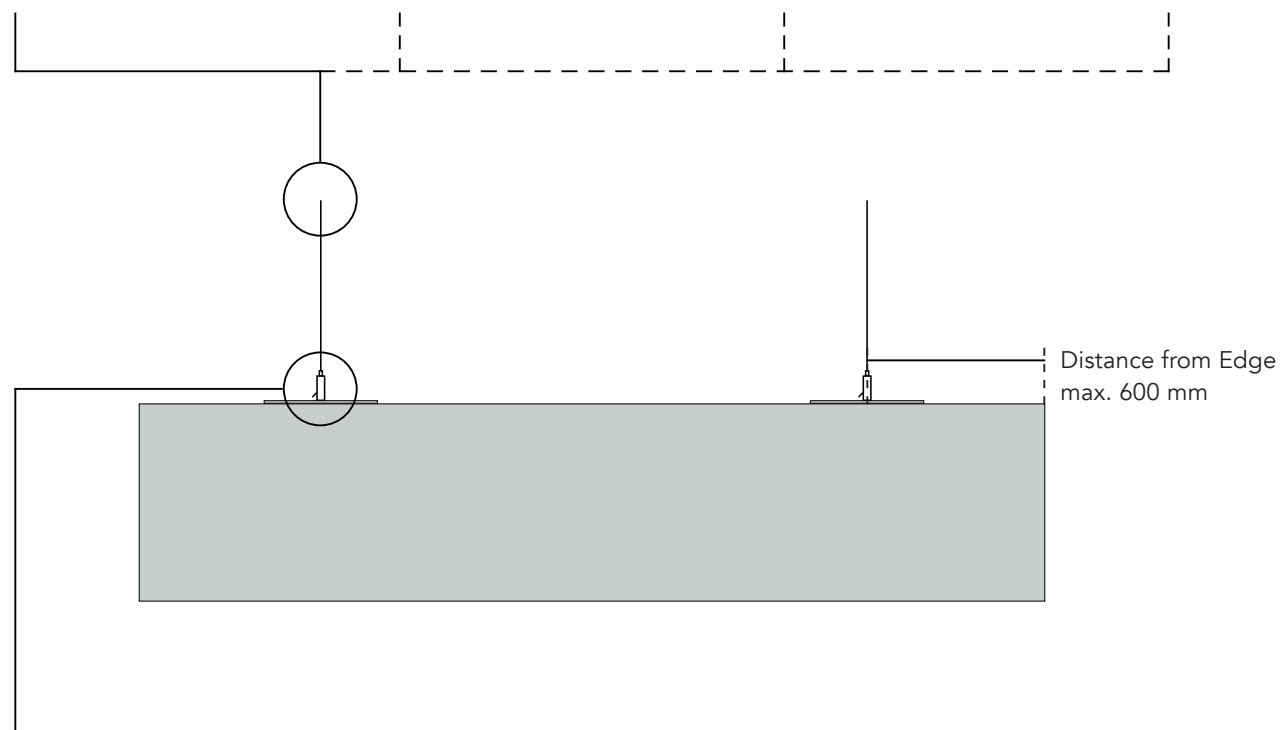
Installation - Stiffener Bracket Kit (KT-BRKT-00)

Specify optional ceiling and accessory hardware at the time of ordering.

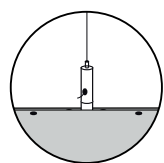
Ceiling Hardware Options



No Hardware (default) Cable Coupler (KT-CCPL-00) Adjustable Cable Gripper (KT-CGRP-00) T-bar Clips (KT-TCLP-00)



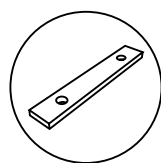
Product Hardware



Stiffener Bracket with Adjustable Cable Gripper

- Bracket pre-mounted but can be provided unmounted to be installed on-site

Accessory Hardware Option



Channel Splice (HW-CHSP-00)

- Connects multiple baffles

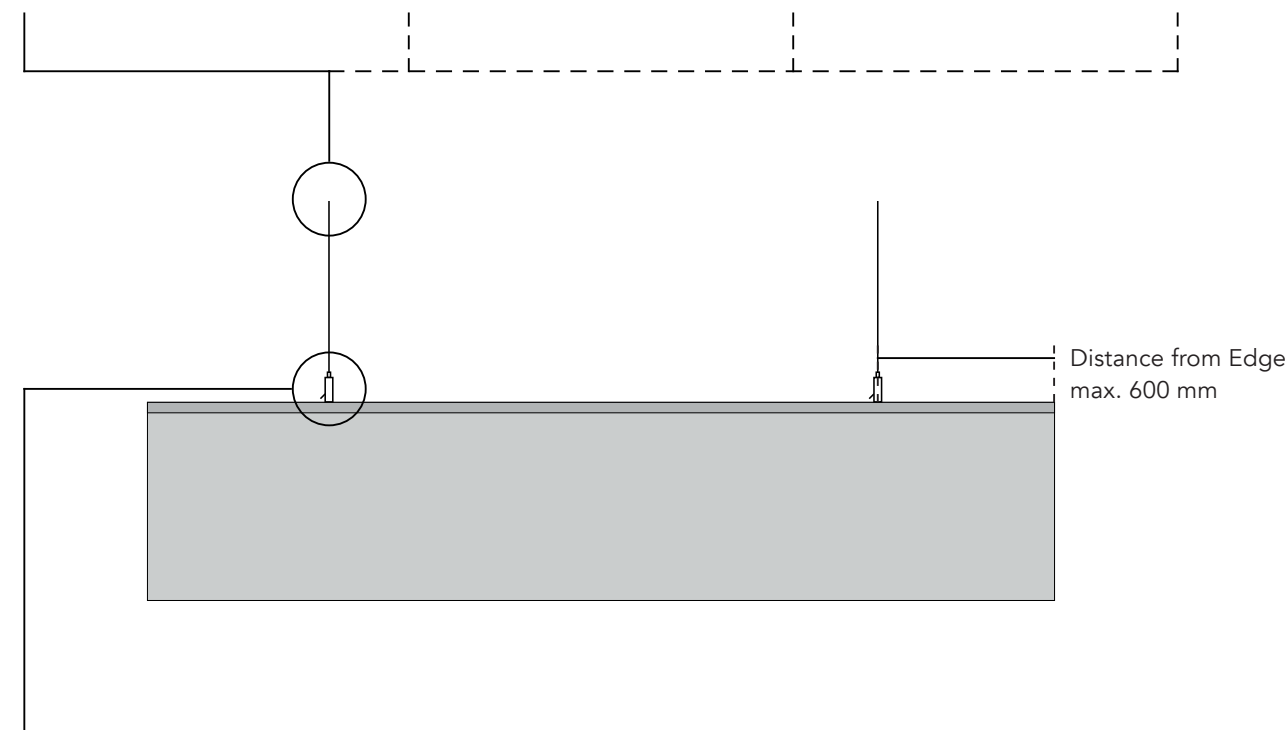
Installation - Aluminum Trim Kit (KT-TRIM-00)

Specify optional ceiling and accessory hardware at the time of ordering.

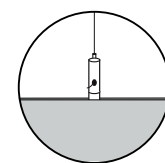
Ceiling Hardware Options



No Hardware (default) Cable Coupler (KT-CCPL-00) Adjustable Cable Gripper (KT-CGRP-00) T-bar Clips (KT-TCLP-00)



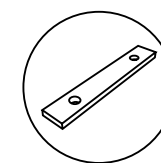
Product Hardware



Aluminum Trim with Adjustable Cable Gripper

- Clear anodized finish (matte black available)
- Suspension point pre-mounted but can be repositioned on site

Accessory Hardware Option



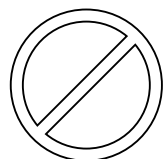
Channel Splice (HW-CHSP-00)

- Connects multiple baffles

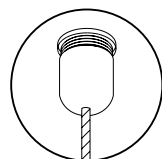
Installation - Baffle Cloud Kit (KT-BFCL-00)

Specify optional ceiling and accessory hardware at the time of ordering.

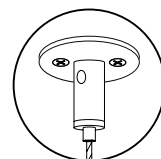
Ceiling Hardware Options



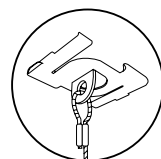
No Hardware
(default)



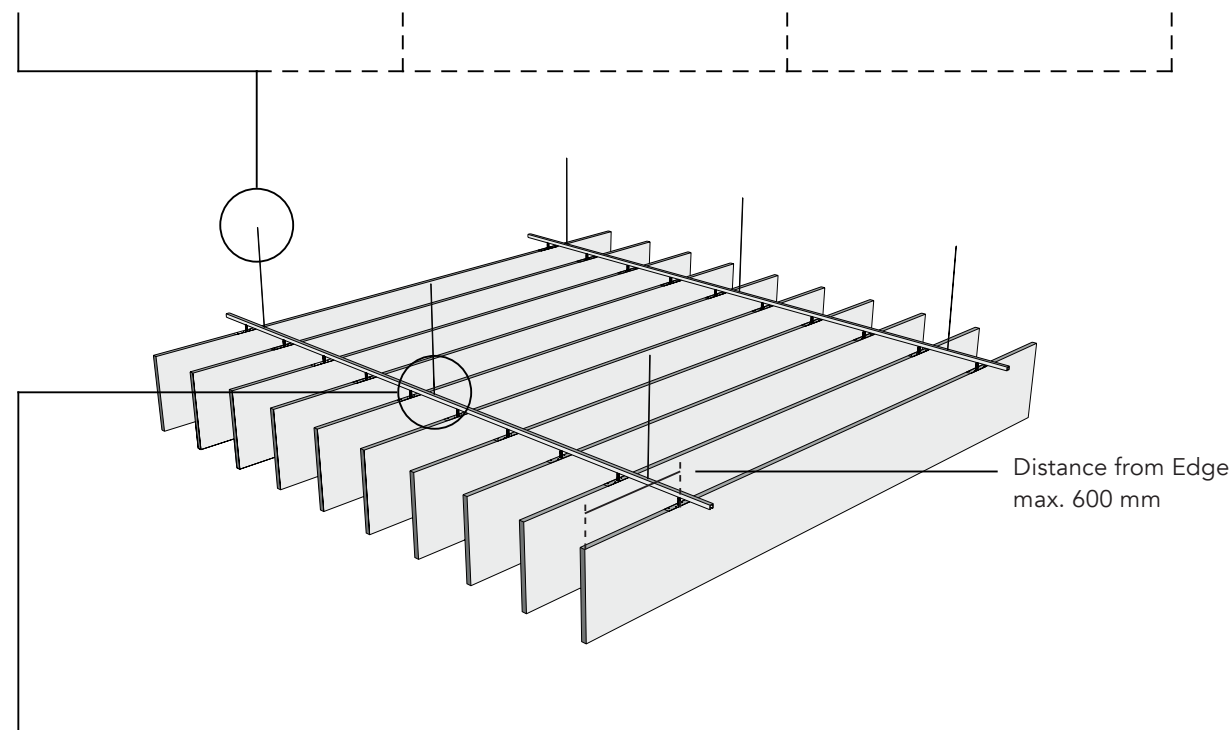
Cable Coupler
(KT-CCPL-00)



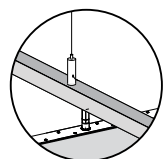
Adjustable Cable Gripper
(KT-CGRP-00)



T-bar Clips
(KT-TCLP-00)



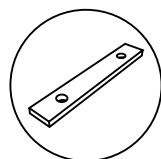
Product Hardware



Aluminum Channel with
Adjustable Cable Gripper

- Clear anodized finish (matte black available)
- Suspension point pre-mounted but can be repositioned on site

Accessory Hardware Option



Channel Splice
(HW-CHSP-00)

- Connects multiple baffle cloud systems

Product Care

Handling & Storage

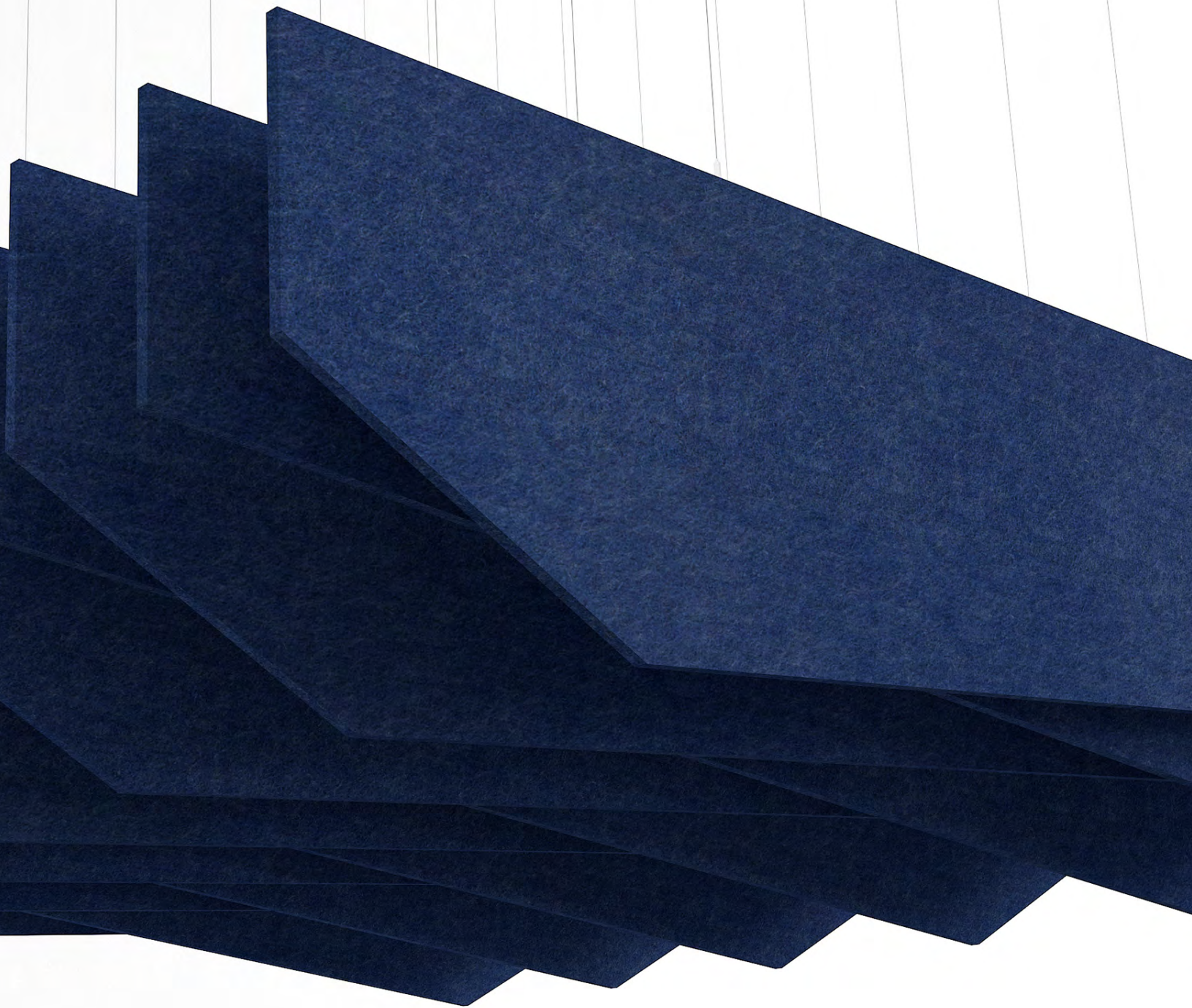
Handle products with care so as to avoid folding the polyester felt, chipping its edges or indenting its faces. Store products in their original containers in a well-ventilated area until the intended application environment is ready for installation. Allow products to acclimatize to environmental conditions. Lay them flat on their faces; do not stand them on their edges. Protect from moisture, heat, direct sunlight and the elements.

Maintenance

Lightly brush or gently vacuum to remove dust from polyester felt. Clean with warm water and mild, non-toxic soap to remove spills. Test solution on an inconspicuous spot before applying to more visible areas. Blot with a dry cloth after applying the solution to avoid saturating the material. Avoid applying too much pressure when cleaning the products.

Warranty

AKUSTUS warrants the construction and finish of all our products to be free from defects in material and workmanship for a period of 1 year from the date of purchase.



Colours

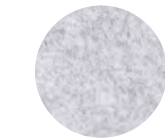
* 12/24 mm only



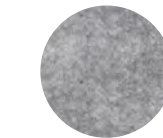
Pure White
SP 07



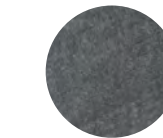
Urban Grey
SP 79



Pumice
SP 11



Cool Grey
SP 36



Mid Grey
SP 37



Black
SP 13



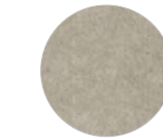
Ivory
SP 77



Beige
SP 04



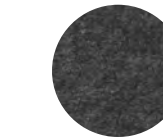
Sandstone
SP 12



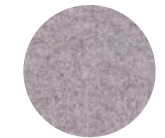
Taupe Grey *
SP 90



Warm Grey
SP 76



Graphite
SP 03



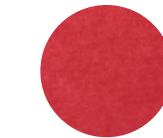
Castlerock *
SP 80



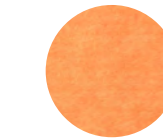
Blush Pink
SP 81



Plum
SP 72



Red
SP 08



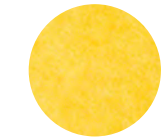
Orange
SP 46



Yam
SP 28



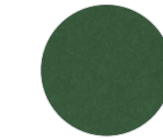
Mustard *
SP 87



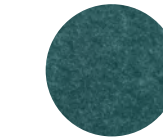
Sunflower
SP 05



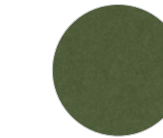
Chartreuse
SP 43



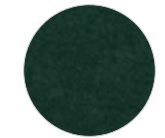
Moss *
SP 89



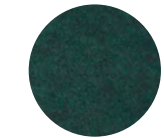
Peacock *
SP 82



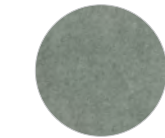
Olive *
SP 88



Ocean Green *
SP 86



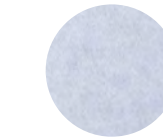
Forest Green
SP 17



Desert Sage
SP 78



Deep Sea Blue *
SP 83



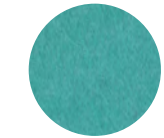
Krypton
SP 30



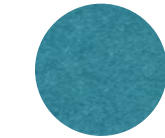
Pale Teal
SP 74



Lagoon *
SP 84



Aquamarine
SP 73



Dark Turquoise
SP 71



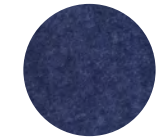
Azure *
SP 85



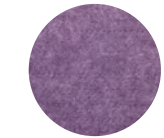
Sky Blue
SP 25



Navy
SP 01



Midnight Blue
SP 19



Purple
SP 50