

Stripes Box Panel

BY AKUSTUS DESIGNS



[AKUSTUS.COM](https://akustus.com)

[INFO@AKUSTUS.COM](mailto:info@akustus.com)



STR-BX-B-060-060, STR-BX-B-060-120 & STR-BX-C-060-120

Stripes Box Panels showcase the timeless appeal of simple patterns formed by parallel lines. Combine and arrange these panels, making use of the different line configurations, shapes and thicknesses available, to create striking and captivating patterns with a relief effect. Mounted to the wall of a lecture hall or of a meeting room, Stripes will reduce the amount of excess reverb that people hear.



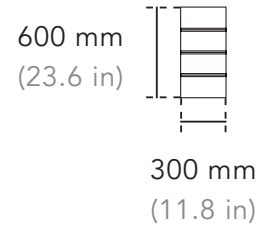
STR-BX-C-060-120, STR-BX-B-060-060 & STR-BX-A-060-060

Dimensions

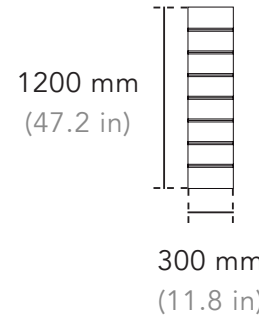
Available Depths: 50, 75, 100, 150 mm (2, 3, 3.9, 5.9 in)

* Custom shape and size available.

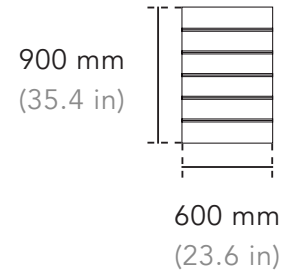
STR-BX-A-030-060



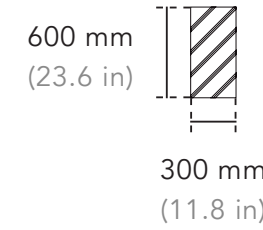
STR-BX-A-030-120



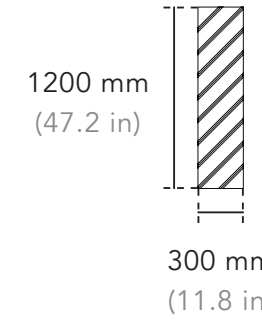
STR-BX-A-060-090



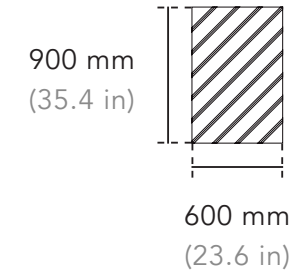
STR-BX-B-030-060



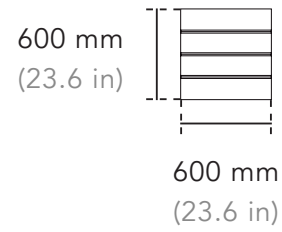
STR-BX-B-030-120



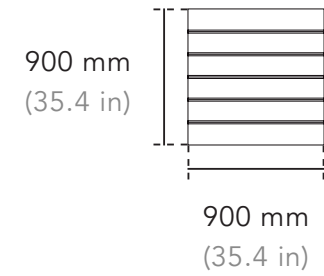
STR-BX-B-060-090



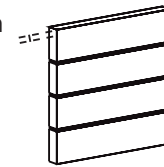
STR-BX-A-060-060



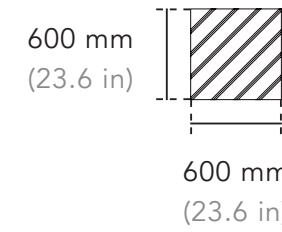
STR-BX-A-090-090



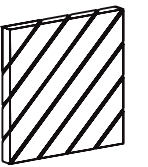
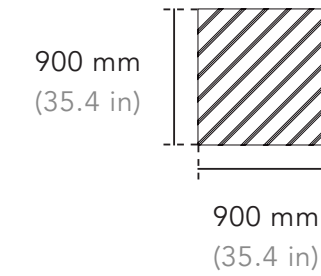
50, 75, 100, 150 mm
(2, 3, 3.9, 5.9 in)



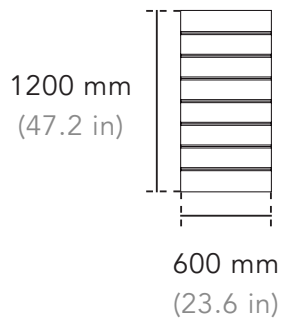
STR-BX-B-060-060



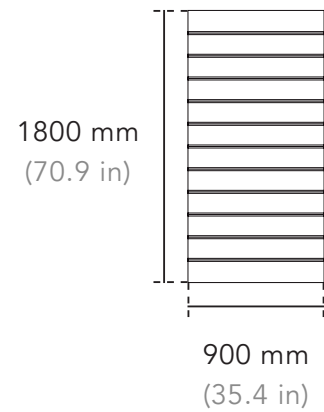
STR-BX-B-090-090



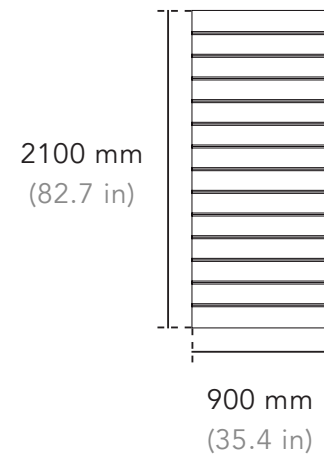
STR-BX-A-060-120



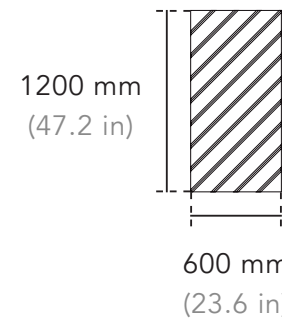
STR-BX-A-090-180



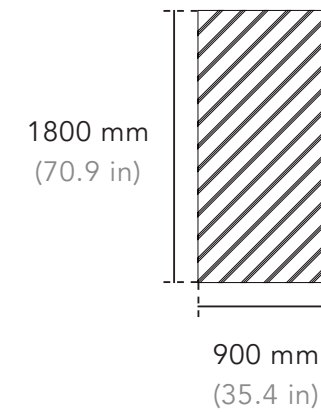
STR-BX-A-090-210



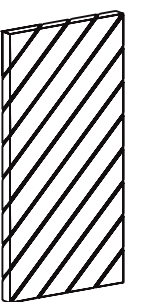
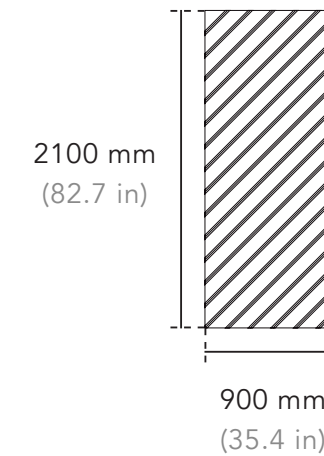
STR-BX-B-060-120



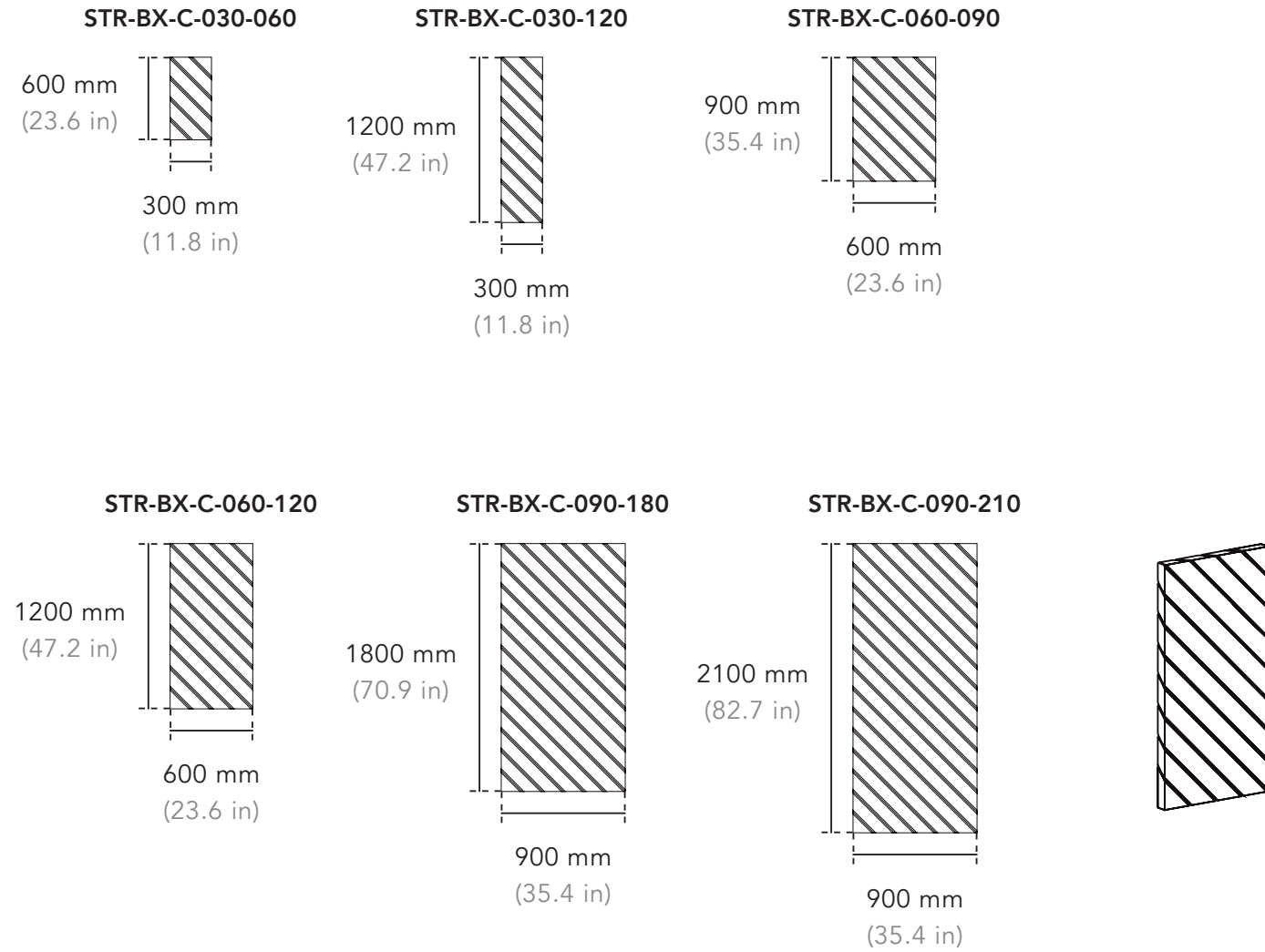
STR-BX-B-090-180



STR-BX-B-090-210



Dimensions



Product Data

Product Code	Width x Height	Depth	Weight
STR-BX-A-030-060	300 x 600 mm 11.8 x 23.6 in	50, 75, 100, 150 mm 2, 3, 3.9, 5.9 in	0.5, 0.6, 0.7, 0.9 kg 1.1, 1.3, 1.5, 2 lb
STR-BX-A-030-120	300 x 1200 mm 11.8 x 47.2 in	50, 75, 100, 150 mm 2, 3, 3.9, 5.9 in	1, 1.2, 1.3, 1.6 kg 2.2, 2.6, 2.9, 3.5 lb
STR-BX-A-060-060	600 x 600 mm 23.6 x 23.6 in	50, 75, 100, 150 mm 2, 3, 3.9, 5.9 in	1, 1.1, 1.2, 1.4 kg 2.2, 2.4, 2.6, 3.1 lb
STR-BX-A-060-090	600 x 900 mm 23.6 x 35.4 in	50, 75, 100, 150 mm 2, 3, 3.9, 5.9 in	1.4, 1.5, 1.7, 2 kg 3.1, 3.3, 3.7, 4.4 lb
STR-BX-A-060-120	600 x 1200 mm 23.6 x 47.2 in	50, 75, 100, 150 mm 2, 3, 3.9, 5.9 in	1.8, 2, 2.2, 2.5 kg 4, 4.4, 4.9, 5.5 lb
STR-BX-A-090-090	900 x 900 mm 35.4 x 35.4 in	50, 75, 100, 150 mm 2, 3, 3.9, 5.9 in	2, 2.2, 2.3, 2.7 kg 4.4, 4.9, 5.1, 6 lb
STR-BX-A-090-180	900 x 1800 mm 35.4 x 70.9 in	50, 75, 100, 150 mm 2, 3, 3.9, 5.9 in	3.8, 4.1, 4.3, 4.9 kg 8.4, 9, 9.5, 10.8 lb
STR-BX-A-090-210	900 x 2100 mm 35.4 x 82.7 in	50, 75, 100, 150 mm 2, 3, 3.9, 5.9 in	4.4, 4.7, 5, 5.6 kg 9.7, 10.4, 11, 12.3 lb
STR-BX-B-030-060	300 x 600 mm 11.8 x 23.6 in	50, 75, 100, 150 mm 2, 3, 3.9, 5.9 in	0.5, 0.6, 0.7, 0.9 kg 1.1, 1.3, 1.5, 2 lb
STR-BX-B-030-120	300 x 1200 mm 11.8 x 47.2 in	50, 75, 100, 150 mm 2, 3, 3.9, 5.9 in	1, 1.2, 1.3, 1.6 kg 2.2, 2.6, 2.9, 3.5 lb
STR-BX-B-060-060	600 x 600 mm 23.6 x 23.6 in	50, 75, 100, 150 mm 2, 3, 3.9, 5.9 in	1, 1.1, 1.2, 1.4 kg 2.2, 2.4, 2.6, 3.1 lb
STR-BX-B-060-090	600 x 900 mm 23.6 x 35.4 in	50, 75, 100, 150 mm 2, 3, 3.9, 5.9 in	1.4, 1.5, 1.7, 2 kg 3.1, 3.3, 3.7, 4.4 lb
STR-BX-B-060-120	600 x 1200 mm 23.6 x 47.2 in	50, 75, 100, 150 mm 2, 3, 3.9, 5.9 in	1.8, 2, 2.2, 2.5 kg 4, 4.4, 4.9, 5.5 lb
STR-BX-B-090-090	900 x 900 mm 35.4 x 35.4 in	50, 75, 100, 150 mm 2, 3, 3.9, 5.9 in	2, 2.2, 2.3, 2.7 kg 4.4, 4.9, 5.1, 6 lb
STR-BX-B-090-180	900 x 1800 mm 35.4 x 70.9 in	50, 75, 100, 150 mm 2, 3, 3.9, 5.9 in	3.8, 4.1, 4.3, 4.9 kg 8.4, 9, 9.5, 10.8 lb

Product Data

Product Code	Width x Height	Depth	Weight
STR-BX-B-090-210	900 x 2100 mm 35.4 x 82.7 in	50, 75, 100, 150 mm 2, 3, 3.9, 5.9 in	4.4, 4.7, 5, 5.6 kg 9.7, 10.4, 11, 12.3 lb
STR-BX-C-030-060	300 x 600 mm 11.8 x 23.6 in	50, 75, 100, 150 mm 2, 3, 3.9, 5.9 in	0.5, 0.6, 0.7, 0.9 kg 1.1, 1.3, 1.5, 2 lb
STR-BX-C-030-120	300 x 1200 mm 11.8 x 47.2 in	50, 75, 100, 150 mm 2, 3, 3.9, 5.9 in	1, 1.2, 1.3, 1.6 kg 2.2, 2.6, 2.9, 3.5 lb
STR-BX-C-060-090	600 x 900 mm 23.6 x 35.4 in	50, 75, 100, 150 mm 2, 3, 3.9, 5.9 in	1.4, 1.5, 1.7, 2 kg 3.1, 3.3, 3.7, 4.4 lb
STR-BX-C-060-120	600 x 1200 mm 23.6 x 47.2 in	50, 75, 100, 150 mm 2, 3, 3.9, 5.9 in	1.8, 2, 2.2, 2.5 kg 4, 4.4, 4.9, 5.5 lb
STR-BX-C-090-180	900 x 1800 mm 35.4 x 70.9 in	50, 75, 100, 150 mm 2, 3, 3.9, 5.9 in	3.8, 4.1, 4.3, 4.9 kg 8.4, 9, 9.5, 10.8 lb
STR-BX-C-090-210	900 x 2100 mm 35.4 x 82.7 in	50, 75, 100, 150 mm 2, 3, 3.9, 5.9 in	4.4, 4.7, 5, 5.6 kg 9.7, 10.4, 11, 12.3 lb



Specifications

Product Name	Stripes Box Panel
Composition	100% polyester fibre
Edge Detail	Box edge
Fire Rating	<ul style="list-style-type: none"> • ASTM E84 Class A • CAN/ULC-S102.2-10
VOC Emissions	CDPH (CA 01350)
Antimicrobial Testing	Mould & mildew resistant
Sustainability	<ul style="list-style-type: none"> • 100% recyclable • LBC Red List free • Contributes to LEED certification • Free of toxic substances and of off-gassing • Made with ~60% recycled content from plastic water bottles

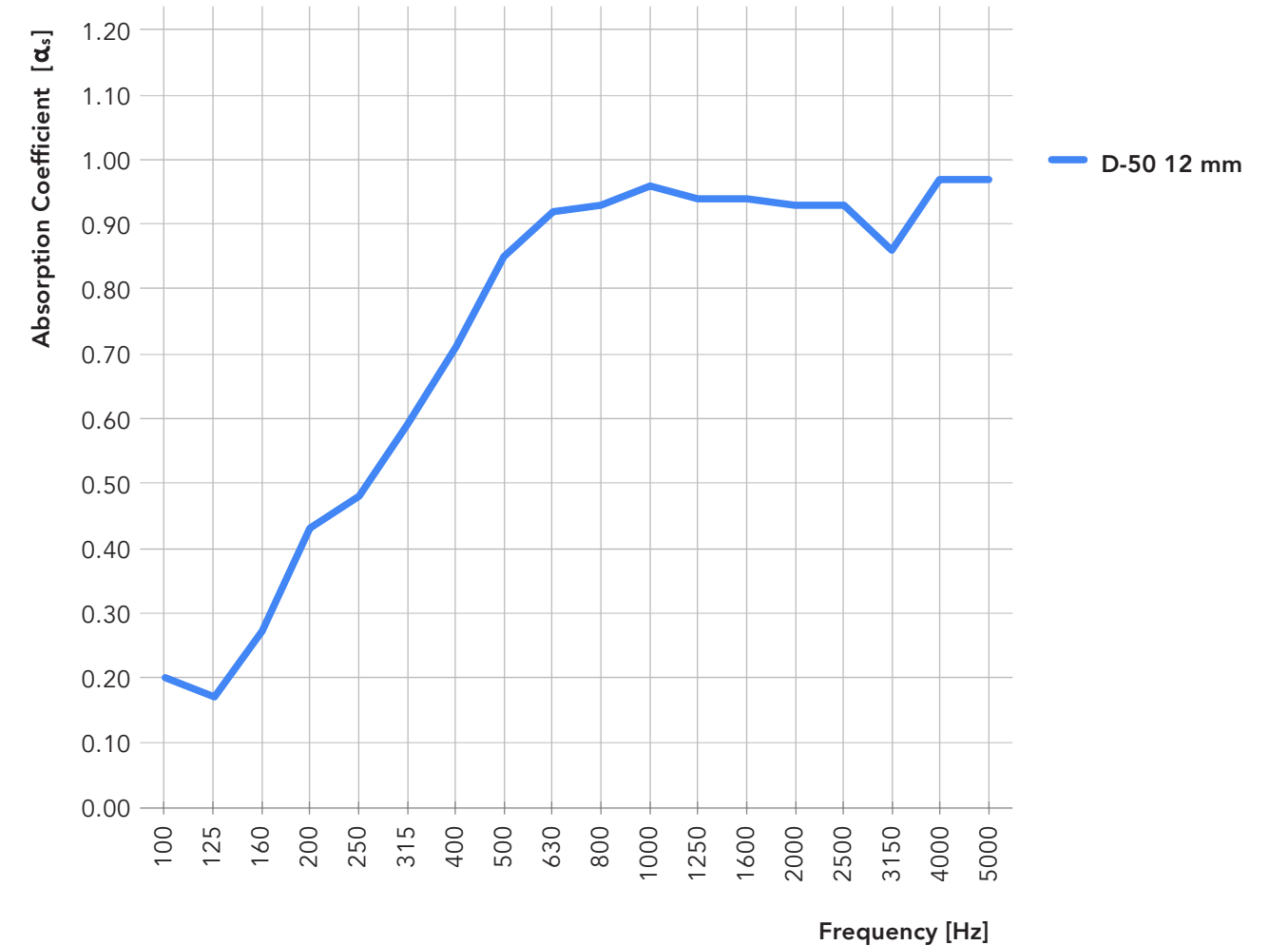
How to Specify	<ul style="list-style-type: none"> • Product Name & Code • Dimensions • Colour • Installation Method
-----------------------	--

Colour & Texture Variations The felting and dyeing process that forms the material contributes to its unique texture but also to variations in texture and colour from panel to panel. Products will be provided within an acceptable range of variation.



Acoustic Properties

The following values reflect the acoustic properties of the product as tested in accordance with ASTM C423-09a using Type D-50 mounting.

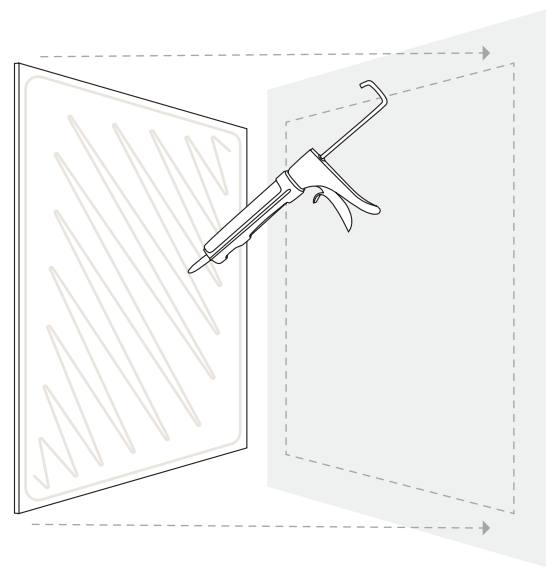
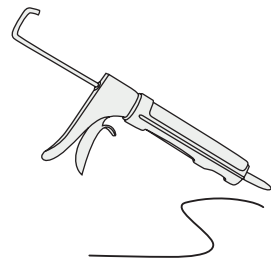


	NRC	SAA	200	250	315	400	500	630	800	1000	1250	1600	2000	2500
D-50 12 mm	0.80	0.80	0.43	0.48	0.59	0.71	0.85	0.92	0.93	0.96	0.94	0.94	0.93	0.93

Installation

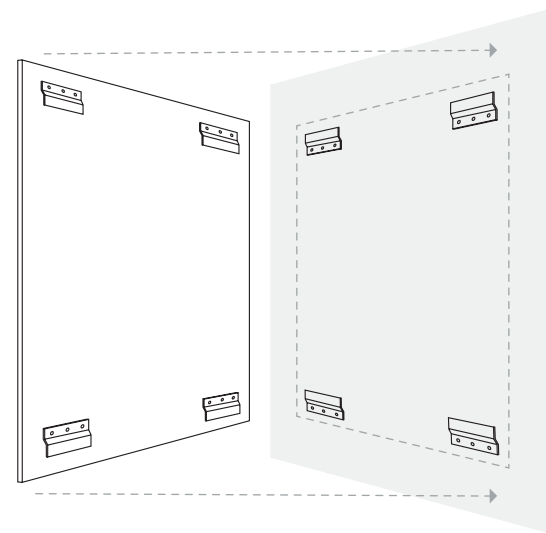
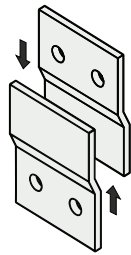
Specify one of the following options at the time of ordering.

Construction Adhesive

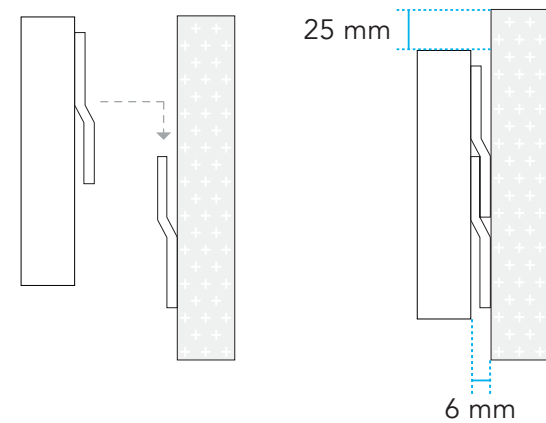


- By others
- Recommendation
- Liquid Nails Heavy Duty (Low VOC) LN-903
- Alternatives
- LePage PL Premium
 - LePage PL Premium Max
 - LePage No More Nails Heavy Duty
 - LePage No More Nails Ultimate Crystal Clear
 - (At your discretion, other construction adhesive may be used but should be tested for effectiveness)

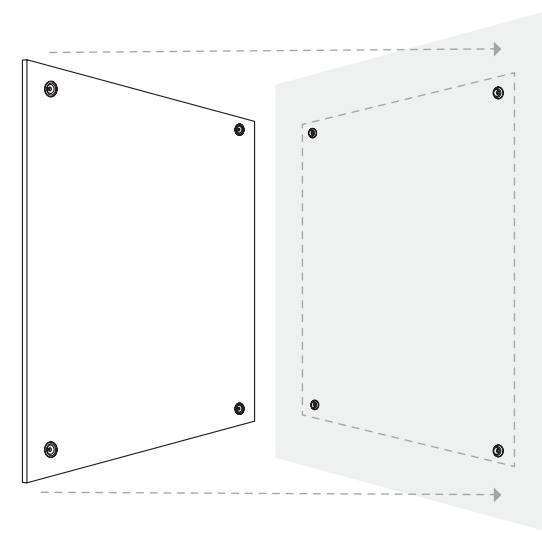
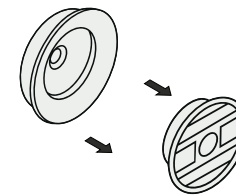
Z-clips (KT-ZCLP-00)



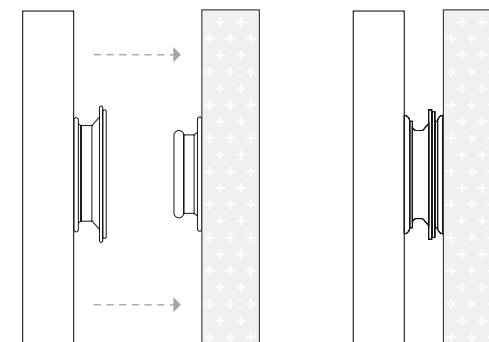
- 6 mm (1/4 in) projection from the wall
- 25 mm (1 in) clearance required above the panel



Push Mounts (KT-PUSH-00)



- Panels come with mounts pre-installed but receiving mount must be installed on-site



Product Care

Handling & Storage

Handle products with care so as to avoid folding the polyester felt, chipping its edges or indenting its faces. Store products in their original containers in a well-ventilated area until the intended application environment is ready for installation. Allow products to acclimatize to environmental conditions. Lay them flat on their faces; do not stand them on their edges. Protect from moisture, heat, direct sunlight and the elements.

Maintenance

Lightly brush or gently vacuum to remove dust from polyester felt. Clean with warm water and mild, non-toxic soap to remove spills. Test solution on an inconspicuous spot before applying to more visible areas. Blot with a dry cloth after applying the solution to avoid saturating the material. Avoid applying too much pressure when cleaning the products.

Warranty

AKUSTUS warrants the construction and finish of all our products to be free from defects in material and workmanship for a period of 1 year from the date of purchase.

Colours

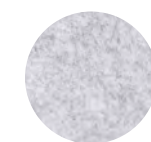
* 12/24 mm only



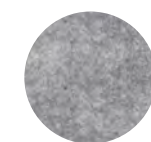
Pure White
SP 07



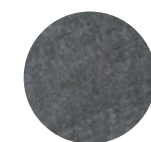
Urban Grey
SP 79



Pumice
SP 11



Cool Grey
SP 36



Mid Grey
SP 37



Black
SP 13



Ivory
SP 77



Beige
SP 04



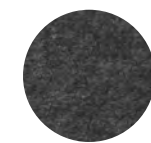
Sandstone
SP 12



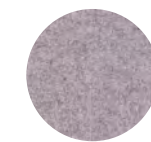
Taupe Grey *
SP 90



Warm Grey
SP 76



Graphite
SP 03



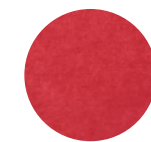
Castlerock *
SP 80



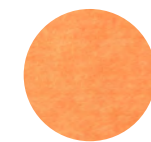
Blush Pink
SP 81



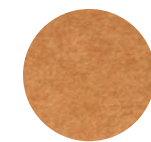
Plum
SP 72



Red
SP 08



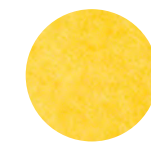
Orange
SP 46



Yam
SP 28



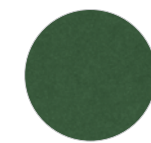
Mustard *
SP 87



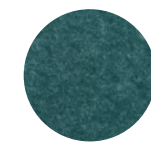
Sunflower
SP 05



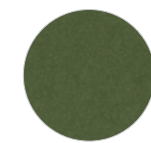
Chartreuse
SP 43



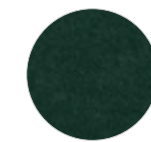
Moss *
SP 89



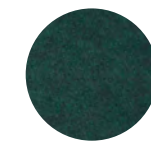
Peacock *
SP 82



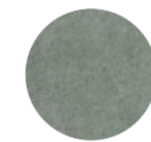
Olive *
SP 88



Ocean Green *
SP 86



Forest Green
SP 17



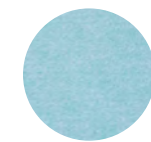
Desert Sage
SP 78



Deep Sea Blue *
SP 83



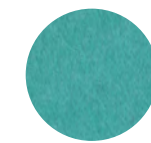
Krypton
SP 30



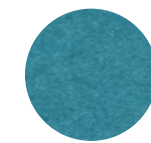
Pale Teal
SP 74



Lagoon *
SP 84



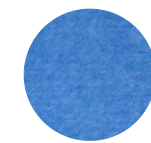
Aquamarine
SP 73



Dark Turquoise
SP 71



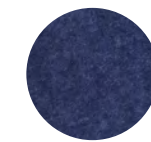
Azure *
SP 85



Sky Blue
SP 25



Navy
SP 01



Midnight Blue
SP 19



Purple
SP 50